



Lanos

**ELECTRICAL WIRING
DIAGRAM**

CONTENTS

SECTION 1HOW TO USE ELECTRICAL WIRING DIAGRAM

SECTION 2POSITION OF CONNECTORS AND GROUNDS

SECTION 3WIRING DIAGRAM FOR POWER SUPPLIES

SECTION 4USAGE AND CAPACITY OF FUSES IN FUSE BOX

SECTION 5ELECTRICAL WIRING DIAGRAMS



SECTION 1

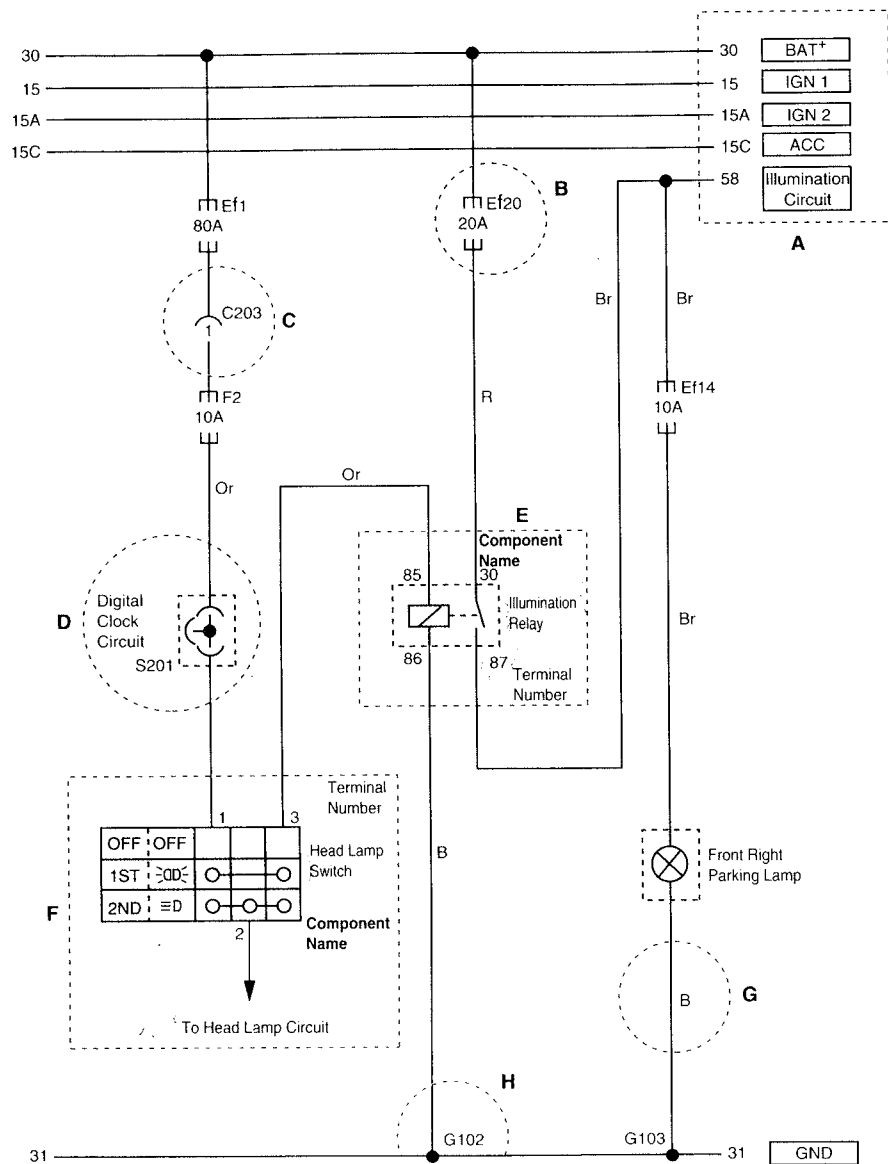
HOW TO USE ELECTRICAL WIRING DIAGRAM

BLANK

CONTENTS

- 1. HOW TO READ ELECTRICAL WIRING DIAGRAM 1-4
- 2. CIRCUIT IDENTIFICATION SYMBOL 1-5
- 3. FUNCTION OF POWER SUPPLY LINE 1-5
- 4. WIRING HARNESS COLOR IDENTIFICATION..... 1-5
- 5. HOW TO CHECK TERMINAL NUMBER OF CONNECTOR 1-5

1. HOW TO READ ELECTRICAL WIRING DIAGRAM



1) CONTENTS OF ELECTRICAL WIRING DIAGRAM (CIRCUIT)

POSITION	EXPLANATION
A	- Upper horizontal lines : Power supply lines - Power supply lines : 30, 15, 15A, 15C, 58
B	- Ef20 or F2 : Fuse Number • Ef20 : Fuse No #20 in engine room fuse box • F2 : Fuse No #2 in passenger room fuse box
C	- Connector (C101~C902) • Connector No C203 terminal No1 * Refer to Major Connector Position (Section 2)
D	- S201 : Splice pack (S101~S303) * Refer to Major Splice Pack Position (Section2)
E	- Internal circuit of component (Relay) (Component Name and Terminal Number)
F	- Internal circuit of component (switch) (Component Name, Terminal Number and Connecting Wiring Circuit)
G	- Wiring Harness Color * Refer to Wiring Harness Color Abbreviation
H	- Lower horizontal line : Ground line • Ground position(G101~G401) • B : Body Ground * Refer to Major Ground Position (Section2)

2. CIRCUIT IDENTIFICATION SYMBOL

IDENTIFICATION SYMBOL	MEANING
C	Connector
D	Diode
Ef	Fuse in engine room fuse box
F	Fuse in passenger room fuse box
G	Ground
S	Splice pack(Junction connector)

3. FUNCTION OF POWER SUPPLY LINE (NUMBER)

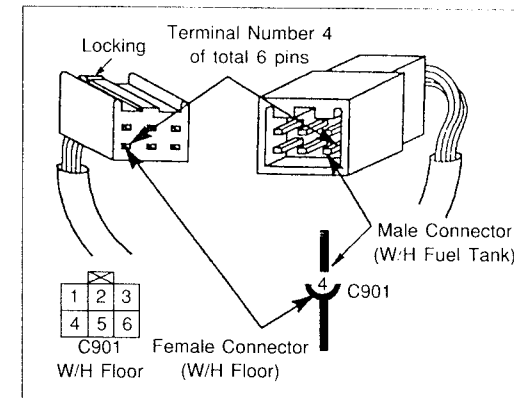
Power supply No	Power supply condition
15	Battery Voltage(B+) supply in Ignition Switch "ON" and "ST" (IGN 1)
15A	Battery Voltage(B+) supply in Ignition Switch "ON" (IGN 2)
15C	Battery Voltage(B+) supply in Ignition Switch "ON" and "ACC"
30	Battery Voltage(B+) supply directly regardless of Ignition Switch
31	Ground connected to battery(-)
58	Battery Voltage(B+) supply in Head Lamp Switch 1st and 2nd step (Illumination circuit)

4. WIRING HARNESS COLOR IDENTIFICATION

Abbreviation	Color	Abbreviation	Color
Br	Brown	Sb	Sky Blue
G	Green	R	Red
V	Violet	L	Blue
P	Pink	Y	Yellow
W	White	Gr	Gray
Or	Orange	B	Black
Lg	Light Green		

5. HOW TO CHECK TERMINAL NUMBER OF CONNECTOR

- Terminal number is given based on Female Terminal Connector
- ex) Terminal Number #4 of C901 connection





SECTION 2

POSITION OF CONNECTORS AND GROUNDS

BLANK

CONTENTS

1. CONNECTOR, GROUND AND SPLICE PACK INFORMATION	2-4
2. WIRING HARNESS & CONNECTOR & GROUND LOCATION	2-6

2) CONNECTOR INFORMATION

CONNECTOR NO (PIN NO, COLOR)	CONNECTING WIRING HARNESS	CONNECTOR POSITION
C101 (8PIN. BLACK)	W/H ECM & ABS-Front	Below Engine Coolant Surge Tank
C102 (1PIN. BLACK)	W/H ECM & ABS-Front	Below Engine Coolant Surge Tank
C103 (4PIN. BLACK)	W/H Front-Front Bumper	Below Left Engine Radiator
C104 (15PIN. BLACK)	W/H ECM & ABS-Engine Control	Behind Right Strut Mounting
C105 (16PIN. BLACK)	W/H ECM & ABS-Engine Control	Behind Right Strut Mounting
C106 (16PIN. BLACK)	W/H ECM & ABS-Engine Control	Behind Right Strut Mounting
C107 (3PIN. BLACK)	W/H Engine Control-Injector(DOHC Only)	Below Throttle Valve Body
C201 (7PIN. GREY)	W/H Front-IP	Connection Box Next to Passenger Room Fuse Box
C202 (18PIN. WHITE)	W/H Front-IP	Connection Box Next to Passenger Room Fuse Box
C203 (7PIN. BROWN)	W/H Front-Floor	Connection Box Next to Passenger Room Fuse Box
C204 (6PIN. WHITE)	W/H Front-Floor	Connection Box Next to Passenger Room Fuse Box
C205 (22PIN. YELLOW)	W/H Floor-IP	Connection Box Next to Passenger Room Fuse Box
C206 (20PIN. COLORLESS)	W/H Floor-IP	Connection Box Next to Passenger Room Fuse Box
C207 (4PIN. WHITE)	W/H Floor-Roof	Connection Box Next to Passenger Room Fuse Box
C208 (8PIN. WHITE)	W/H Floor-IP	Connection Box Next to Passenger Room Fuse Box
C209 (6PIN. WHITE)	W/H Air Bag-IP	Behind Left Front Console
C210 (20PIN. COLORLESS)	W/H ECM & ABS-IP	Below Glove Box (Right Side Panel)
	W/H Front-Roof(Sun Roof Only)	Near Connection Box
C301 (10PIN. WHITE)	W/H ECM & ABS-Floor	Below Co-driver Seat
C302 (6PIN. WHITE)	W/H ECM & ABS-Floor	Below Co-driver Seat
C351 (21PIN. WHITE)	W/H Floor-Front Left Door	Below Front Left Door Upper Hinge
C361 (21PIN. WHITE)	W/H Floor-Front Right Door	Below Front Right Door Upper Hinge
C371 (6PIN. COLORLESS)	W/H Floor-Rear Left Door	Inside Left Center Pillar
C381 (6PIN. COLORLESS)	W/H Floor-Rear Right Door	Inside Right Center Pillar
C401 (8PIN. WHITE)	W/H Floor-Trunk	Above Left Seat Belt Retractor in Trunk
C402 (8PIN. WHITE)	W/H Floor-Trunk Lid	Above Left Tail Lamp in Trunk
C403 (8PIN. WHITE)	W/H Floor-Tail Gate Extension	Inside Trunk(Only 3, 5Door)
C404 (5PIN. WHITE)	W/H Floor-Tail Gate Extension	Inside Trunk(Only 3, 5Door)
C451 (8PIN. WHITE)	W/H Tail Gate Extension-Tail Gate	Inside Tail Gate(Only 3, 5Door)
C452 (3PIN. WHITE)	W/H Tail Gate Extension-Tail Gate	Inside Tail Gate(Only 3, 5Door)
C901 (6PIN. BLACK)	W/H Floor-Fuel Trunk	Behind Fuel Tank
C902 (14PIN. BLACK)	W/H Floor-Rear ABS Sensor	Right Side Rear Axle

3) SPLICE PACK INFORMATION

SPLICE PACK NUMBER (PIN NO, COLOR)	WIRING HARNESS	SPLICE PACK POSITION
S101 (9PIN. BLACK)	W/H Front	Engine Room Relay and Fuse Box
S201 (20PIN. BLUE)	W/H IP	Next to Passenger Room Relay Box
S202 (20PIN. ORANGE)	W/H IP	Next to Passenger Room Relay Box
S203 (20PIN. RED)	W/H IP	Next to Passenger Room Relay Box
S204 (20PIN. RED)	W/H IP	Above Glove Box
S301 (20PIN. ORANGE)	W/H Floor	Below Driver Seat
S302 (20PIN. BLUE)	W/H Floor	Below Driver Seat
S303 (20PIN. GRAY)	W/H ECM & ABS	Below Co-driver Seat

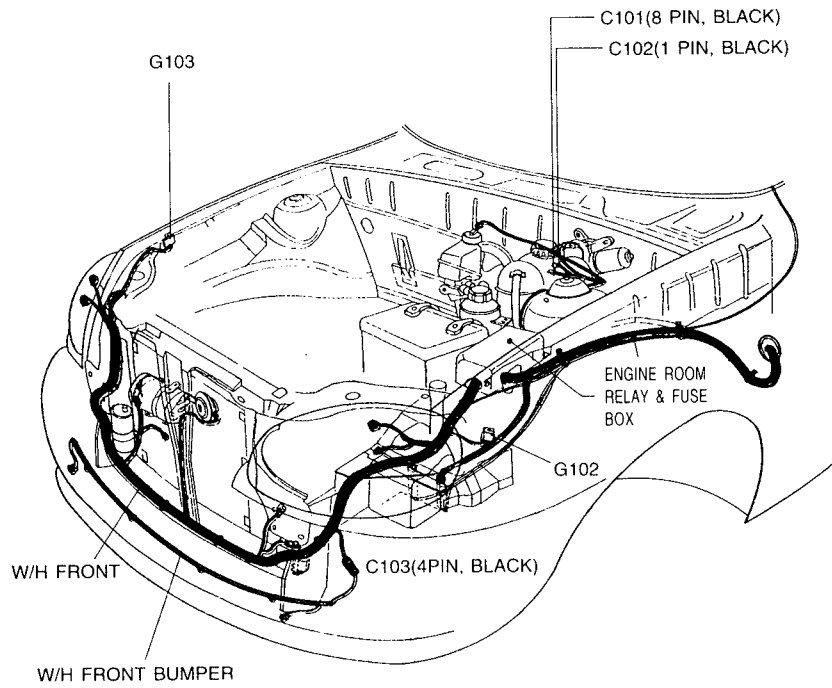
4) GROUND POSITION INFORMATION

GROUND NUMBER	WIRING HARNESS	GROUND POSITION
G101	W/H Battery Cable	Behind Battery Support Body Ground
G102	W/H Front	Fender Below Engine Room Fuse Box
G103	W/H Front	Fender Next to Air Cleaner Housing
G104	W/H Engine Control	Intake Manifold #4 cylinder
G105	W/H Engine Control	Above Flywheel Housing
G106	W/H Battery Cable	Upper Bolt of Starter Motor Engine Ground
G201	W/H IP	Below Right Front Console Box
G301	W/H Floor	Below Driver Seat
G302	W/H Air Bag	Below Right Front Console Box
G303	W/H Floor	Below Co-driver Seat
G304	W/H ECM & ABS	Below Glove Box(Right Side Panel)
G305	Rear Window Defroster Ground	Inside Rear Window Right Pillar Trim
G306	W/H Sun Roof	In the Roof Panel
G401	W/H Trunk	Center of Rear End Panel in Trunk

2. WIRING HARNESS & CONNECTOR & GROUND LOCATION

1) W/H FRONT, FRONT BUMPER

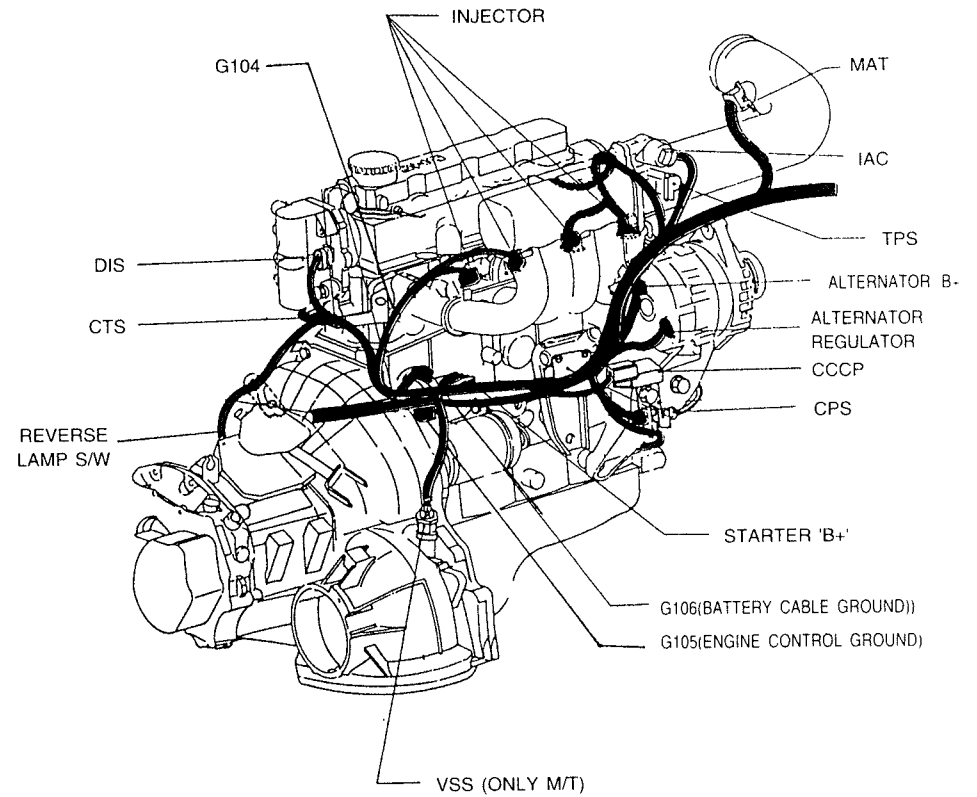
W/H FRONT
 W/H FRONT BUMPER



2) W/H ENGINE CONTROL, BATTERY CABLE

• SOHC ENGINE

W/H BATTERY CABLE
 W/H ENGINE CONTROL



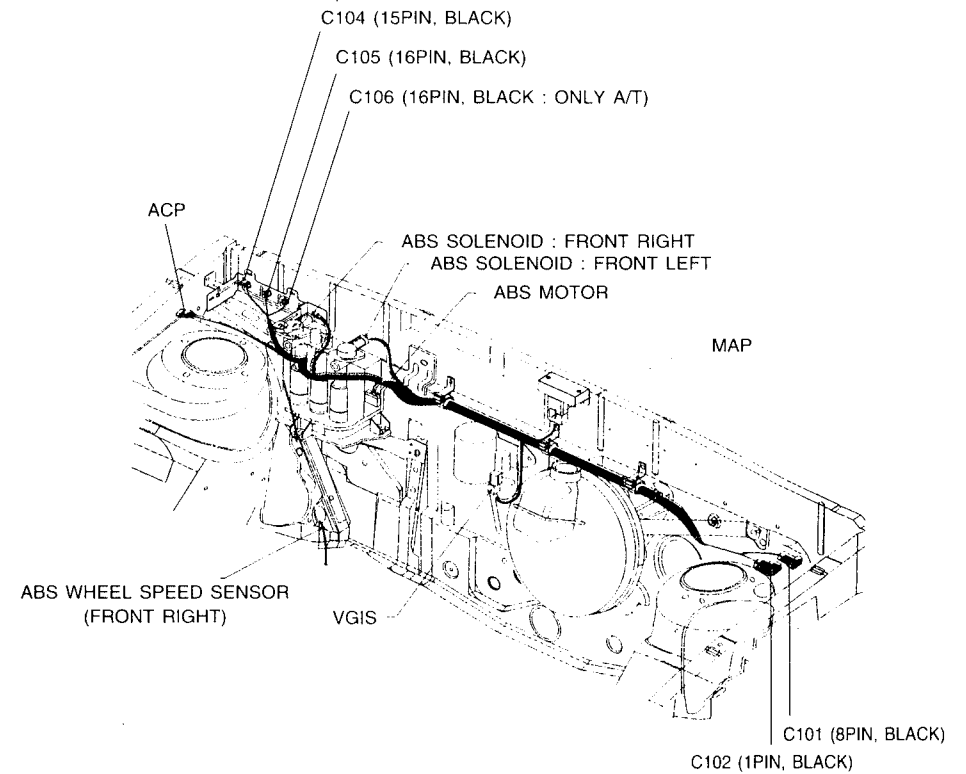
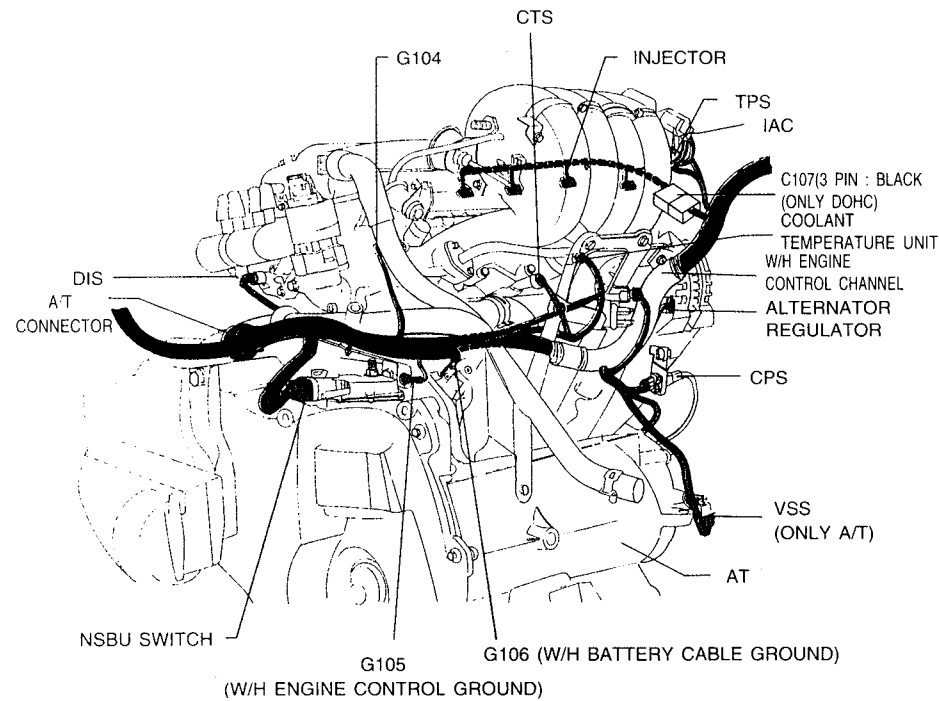
• DOHC ENGINE

3) W/H ECM & ABS

• ENGINE ROOM INSIDE

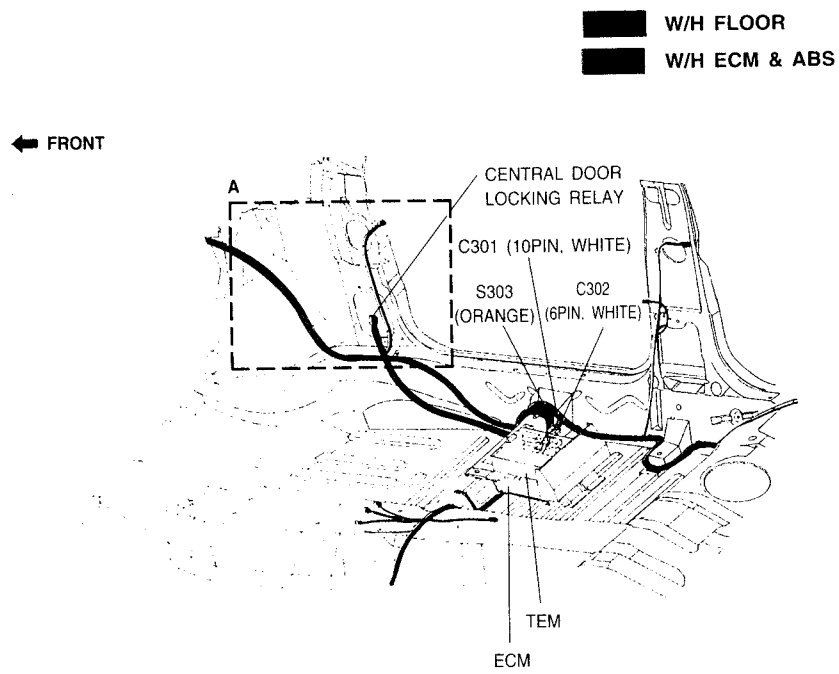
W/H BATTERY
 W/H ENGINE CONTROL

W/H ECM & ABS

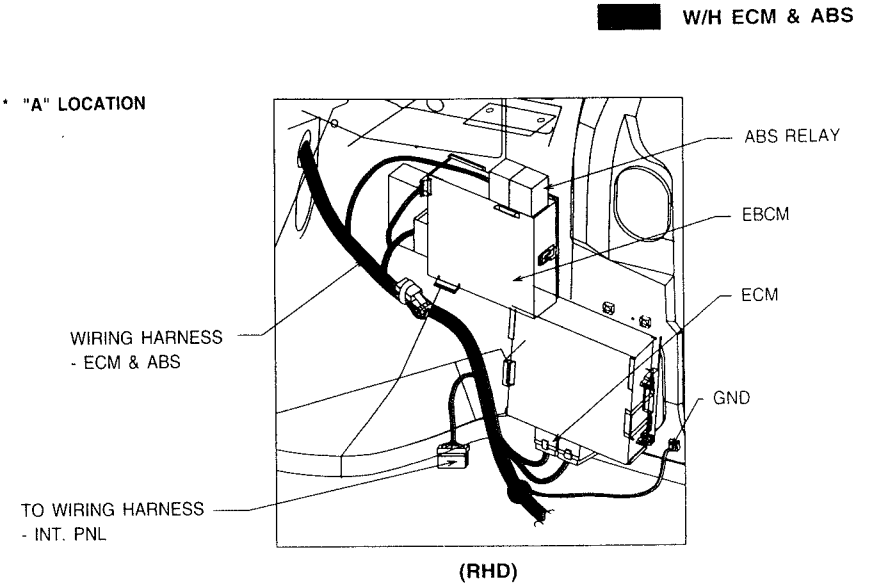


2-8 POSITION OF CONNECTORS AND GROUNDS

• PASSENGER ROOM RIGHT SIDE PANEL

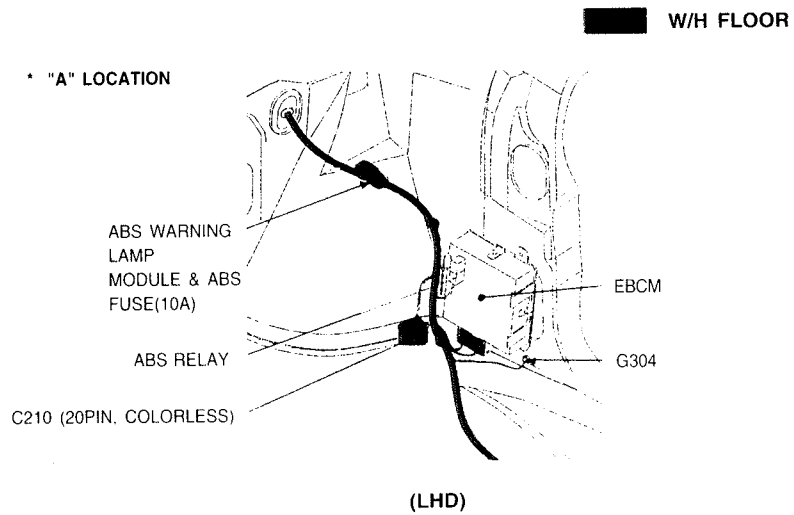


• "A" LOCATION

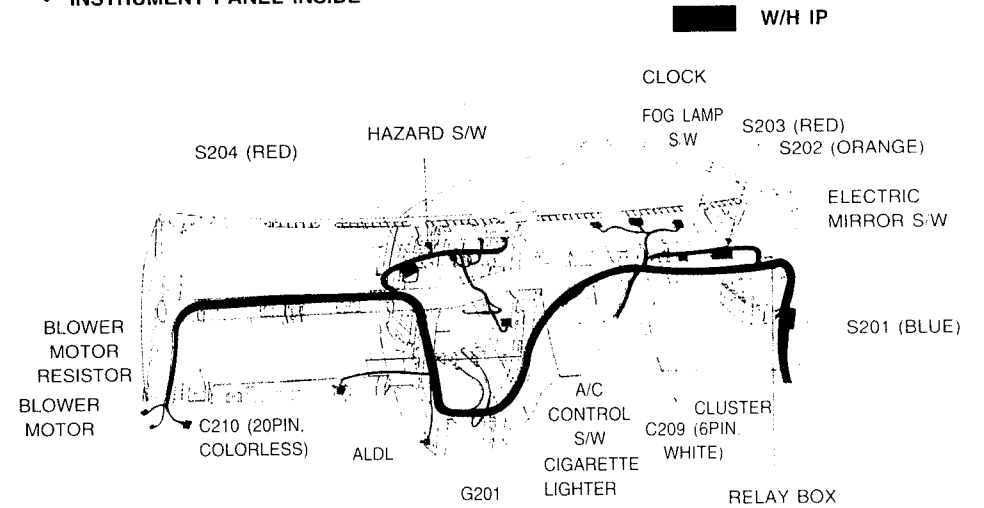


4) W/H INSTRUMENT PANEL

• INSTRUMENT PANEL INSIDE



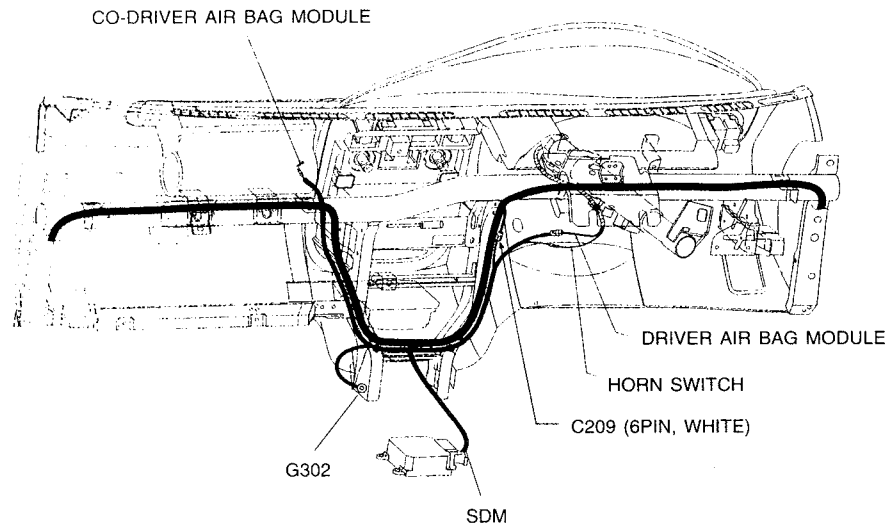
• "A" LOCATION



5) W/H AIR BAG INSTRUMENT PANEL

- INSTRUMENT PANEL INSIDE

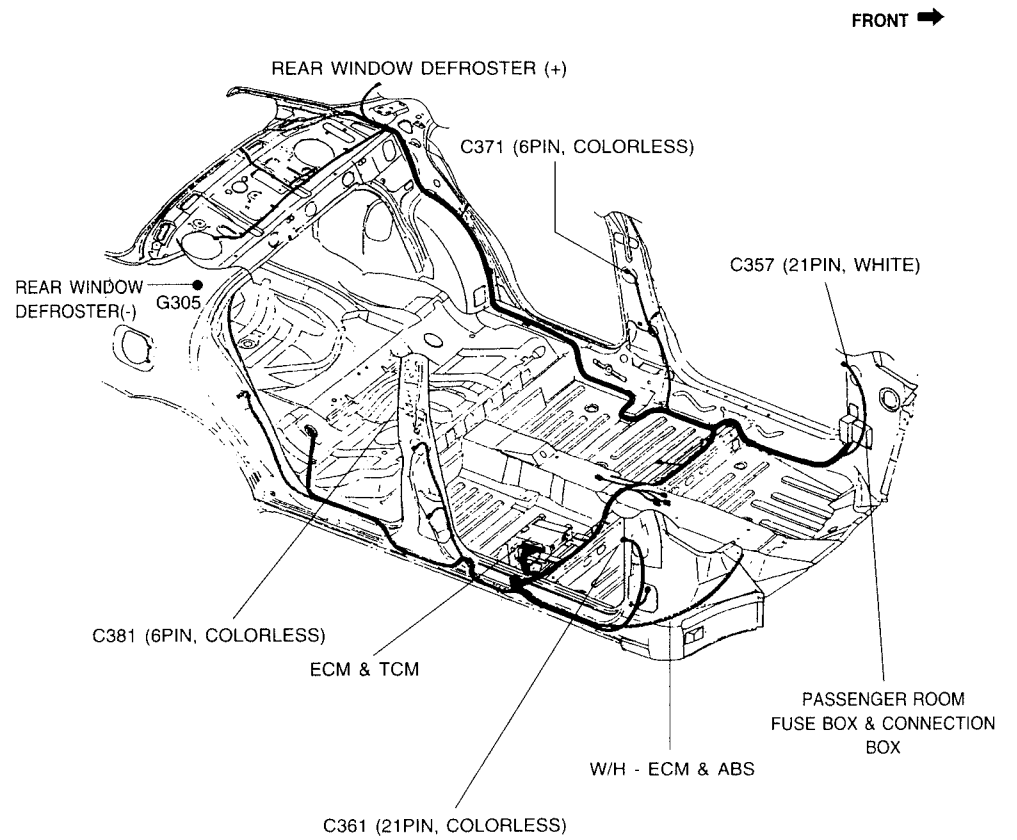
W/H INSTRUMENT PANEL
 W/H AIR BAG



6) W/H FLOOR

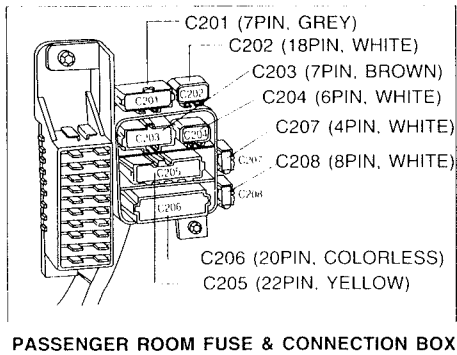
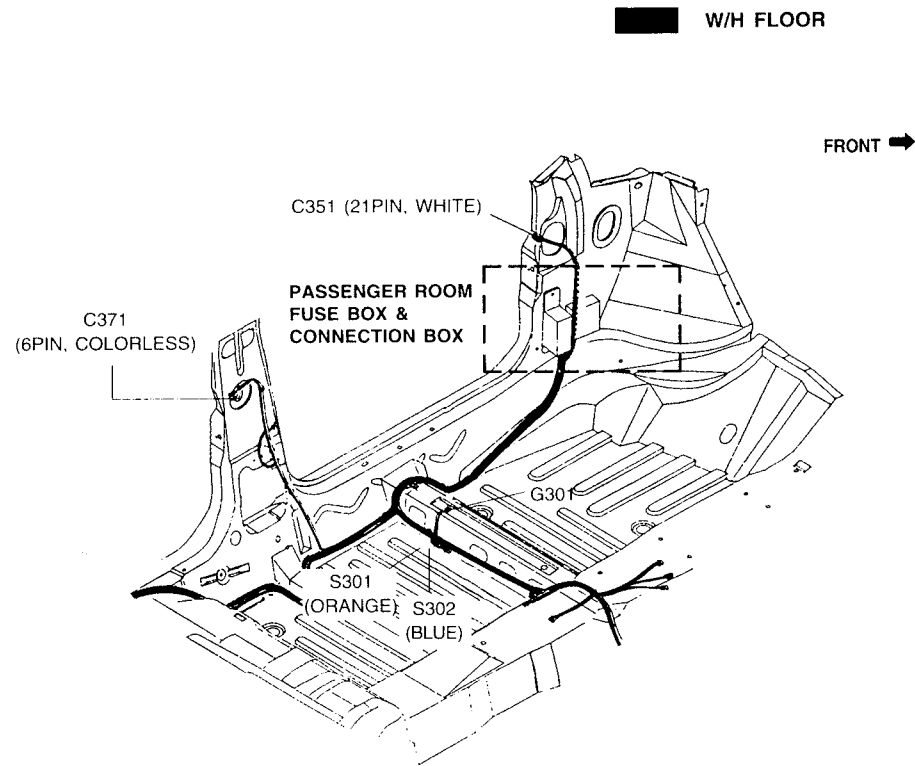
- FLOOR PANEL

W/H FLOOR
 W/H ECM & ABS

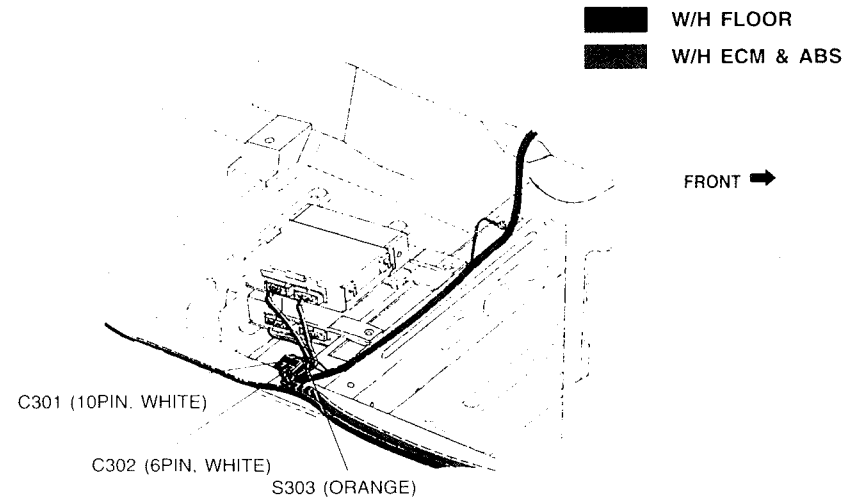
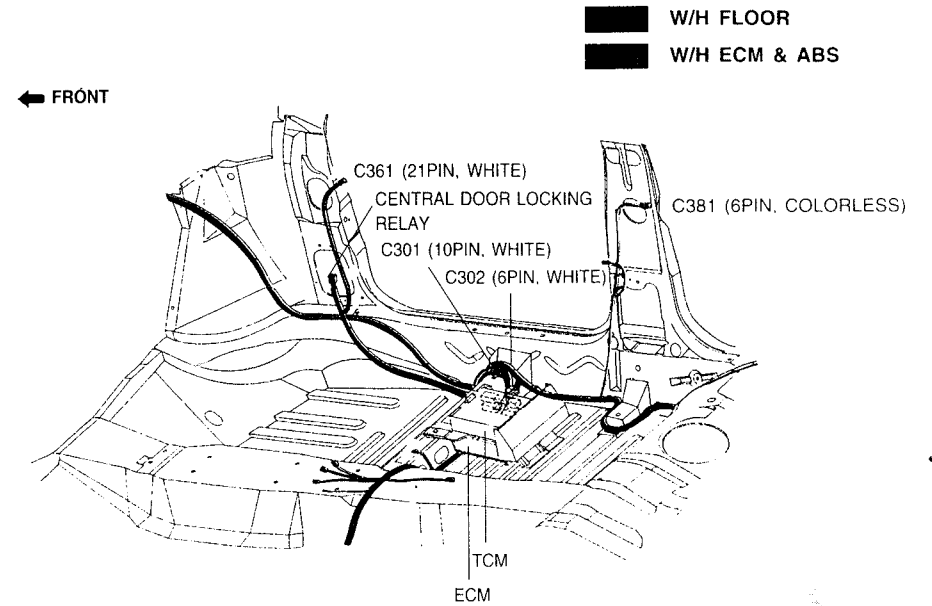


2-10 POSITION OF CONNECTORS AND GROUNDS

• FLOOR PANEL LEFT

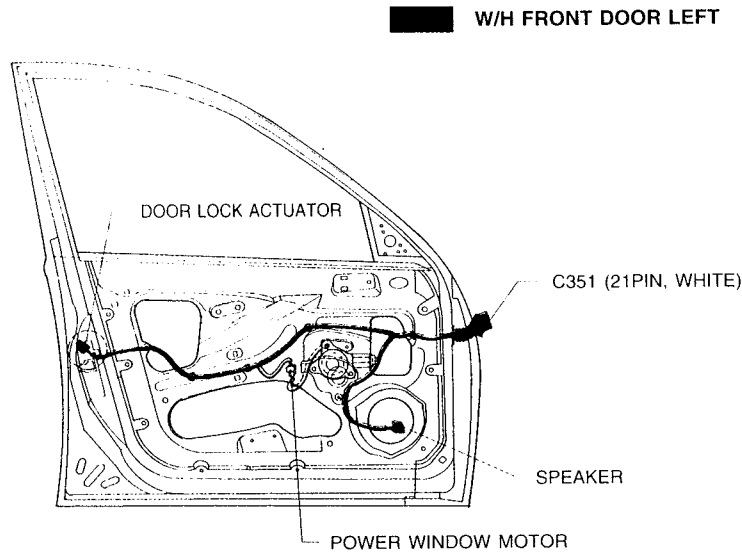


• FLOOR PANEL RIGHT

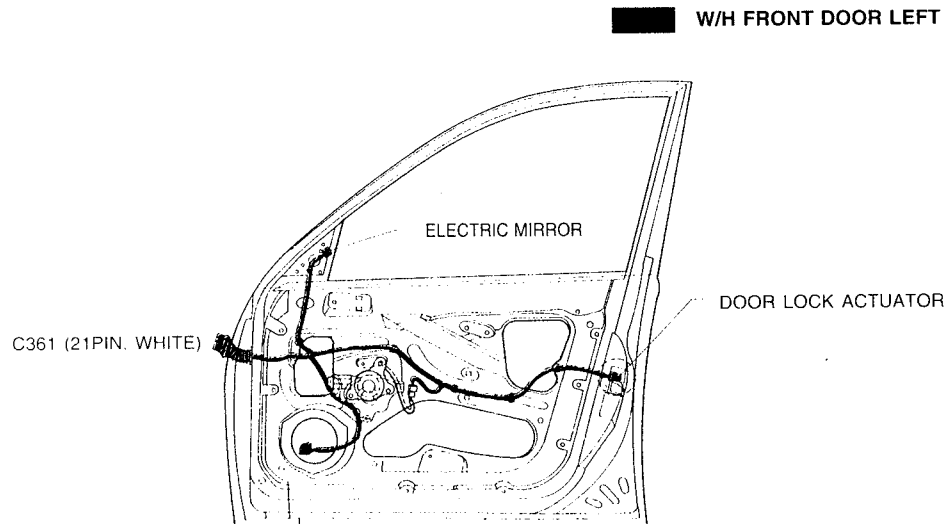


7) W/H FRONT DOOR, LEFT/RIGHT

- FRONT DOOR LEFT

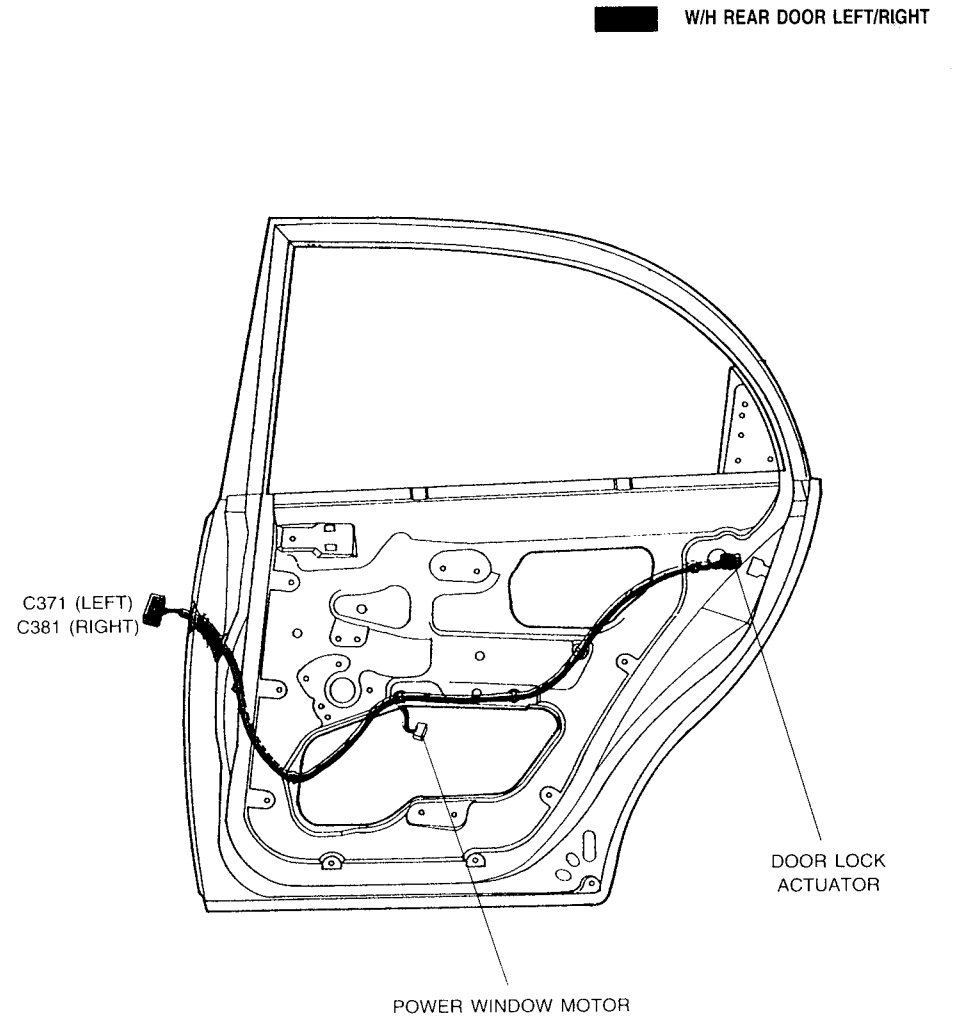


- FRONT DOOR RIGHT



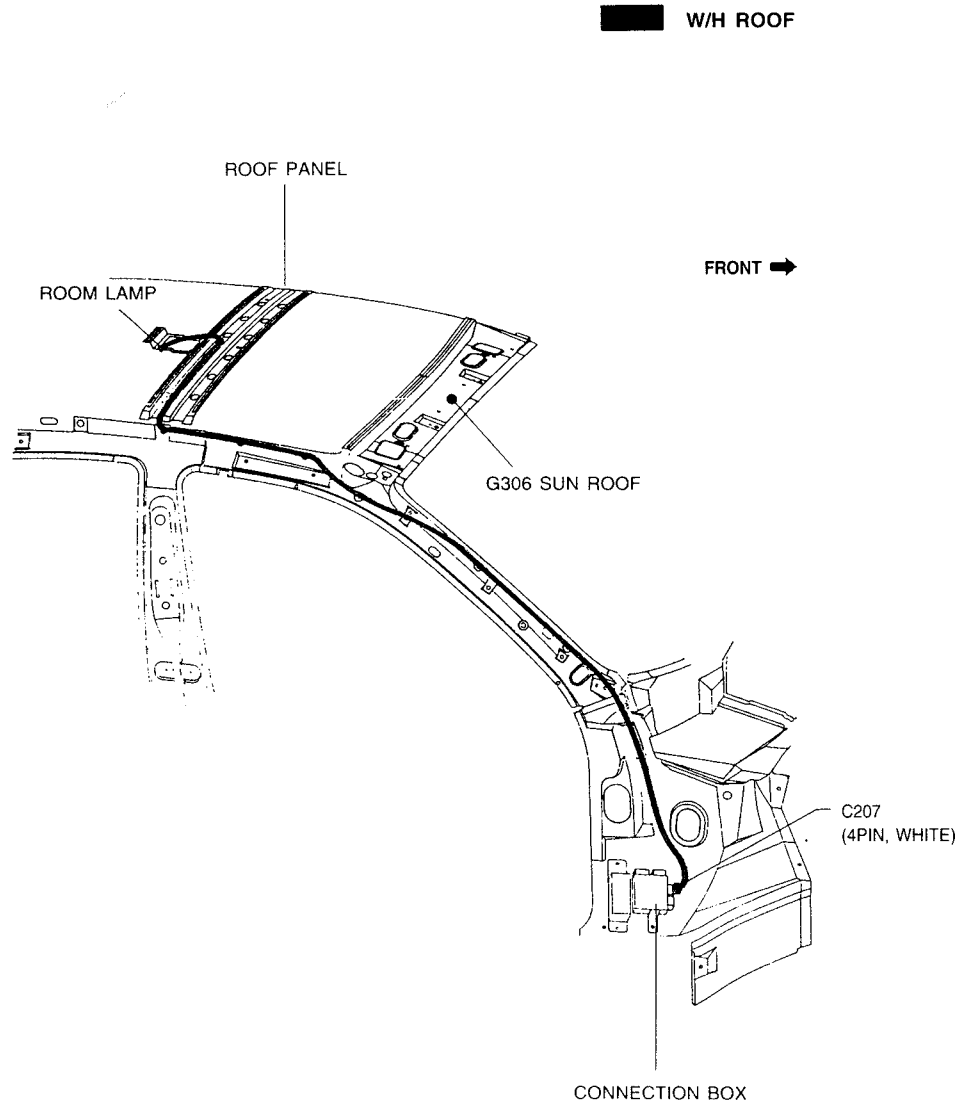
8) W/H REAR DOOR, LEFT/RIGHT

- REAR DOOR LEFT/RIGHT



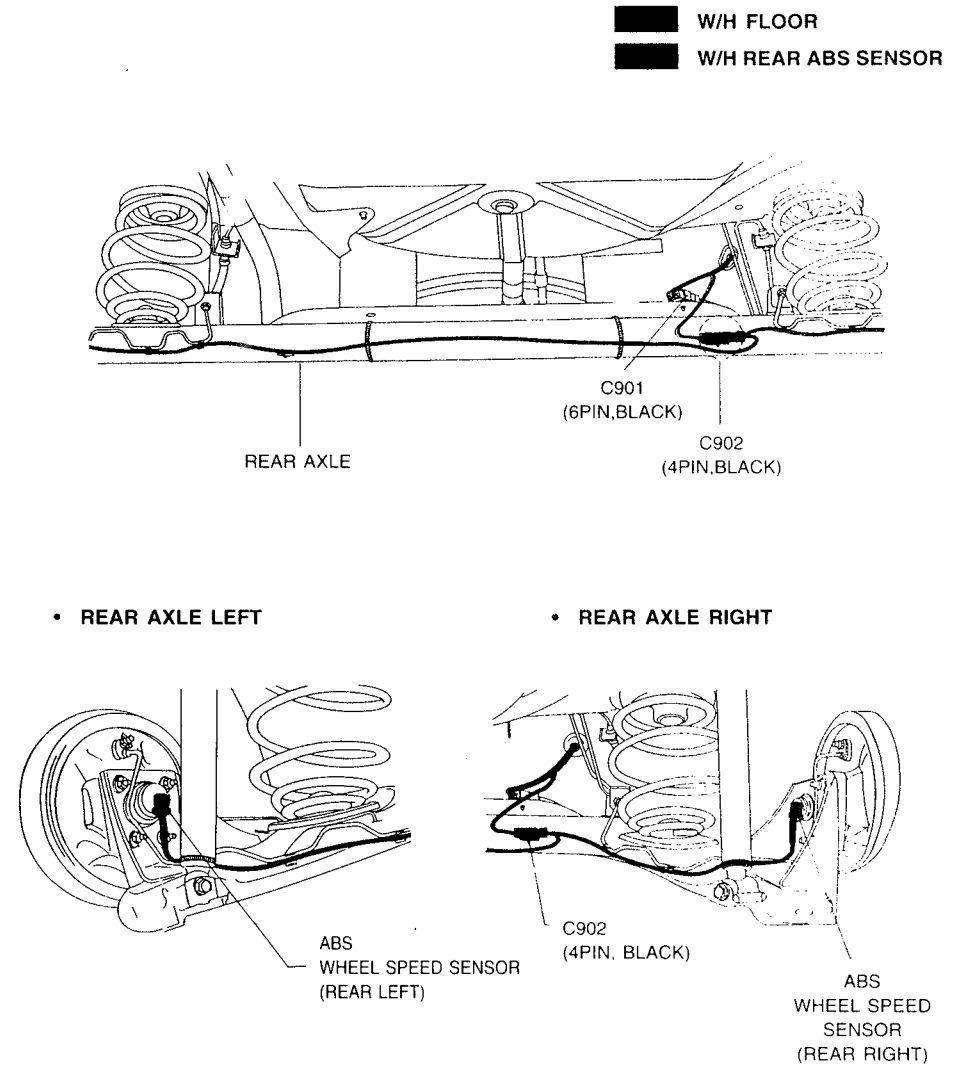
9) W/H ROOF

- LEFT PILLAR INSIDE



10) W/H FUEL TANK, REAR ABS SENSOR

- UNDER BODY



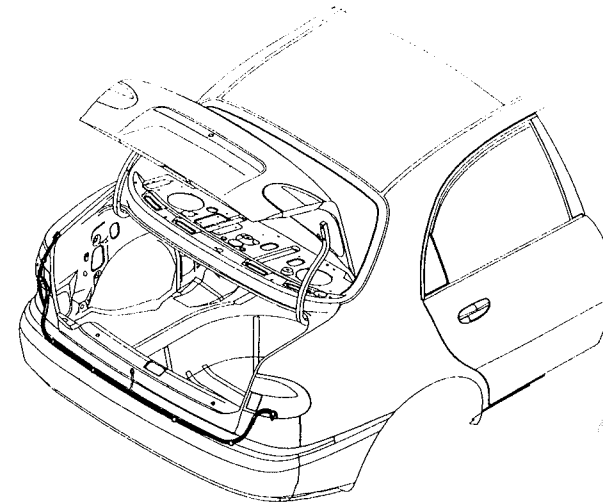
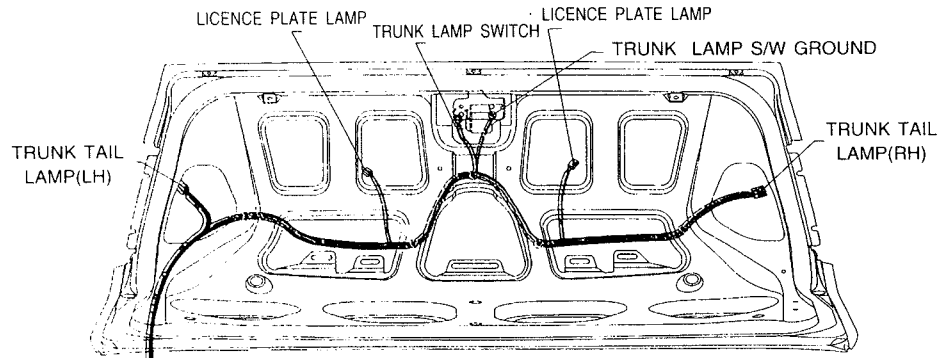
11) W/H TRUNK LID

12) W/H TRUNK

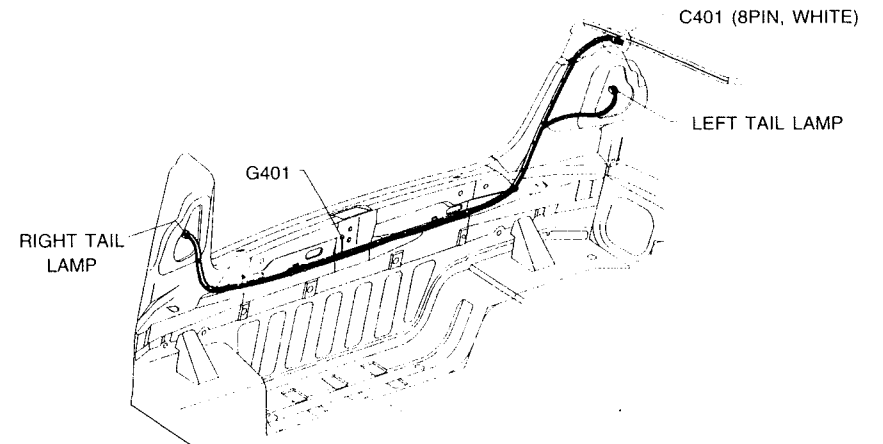
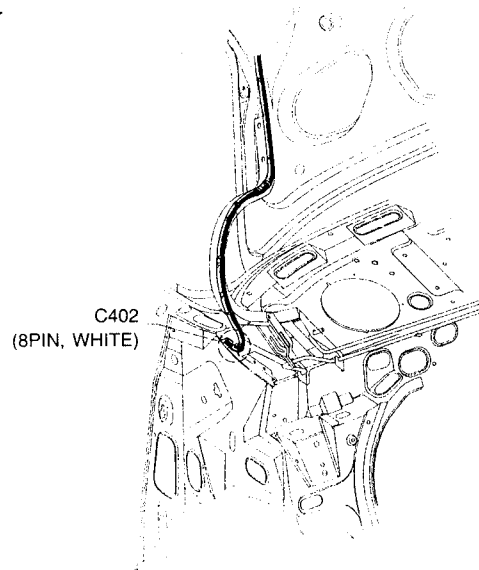
- TRUNK LID INSIDE

■ W/H TRUNK LID

■ W/H TRUNK

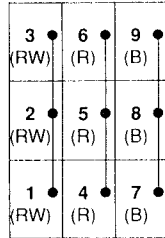


- TRUNK INSIDE LEFT



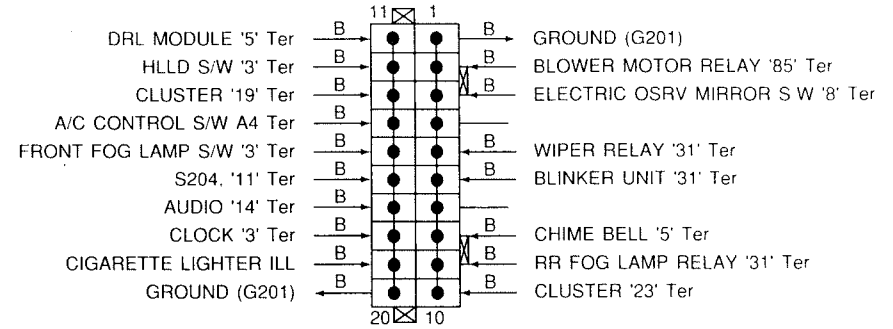
13) SPLICE PACK

S101(BLACK)



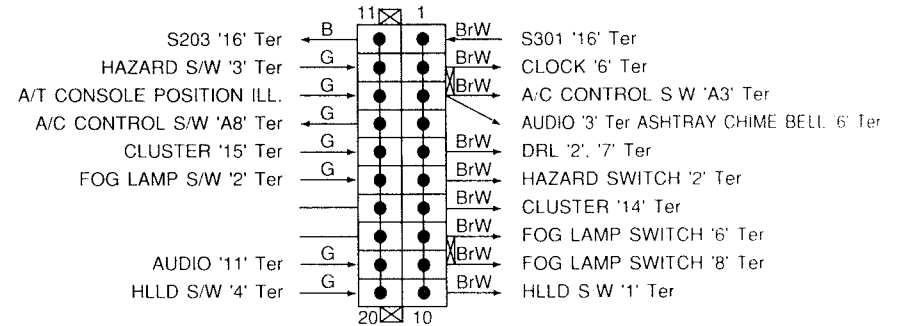
1. IGN2(F19) POWER SUPPLY
A/C COMP. RELAY '86' Ter
COOLING FAN CONTROL RELAY '86' Ter
2. COOLING FAN RELAY A : '86' Ter
B : '86' Ter
3. REAR WINDOW DEFROSTER RELAY : '86' Ter
POWER WINDOW RELAY : '86' Ter
4. BATTERY POWER SUPPLY(Ef4)
5. COOLING FAN RELAY A : '30' Ter
6. COOLING FAN RELAY B : '30' Ter
7. GROUND(G102)
DIODE (D9)
8. HEAD LAMP & ILL. RELAY '85' Ter
POWER WINDOW RELAY '85' Ter
9. FR/FOG LAMP RELAY '85' Ter

S203(RED)



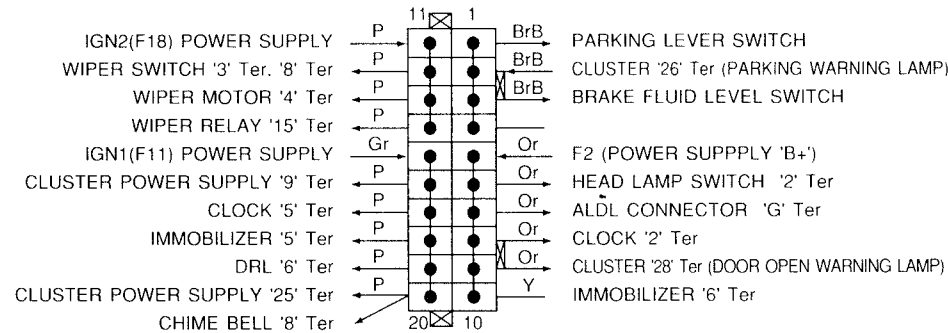
- DRL MODULE '5' Ter
- HLLD S/W '3' Ter
- CLUSTER '19' Ter
- A/C CONTROL S/W A4 Ter
- FRONT FOG LAMP S/W '3' Ter
- S204, '11' Ter
- AUDIO '14' Ter
- CLOCK '3' Ter
- CIGARETTE LIGHTER ILL
- GROUND (G201)
- GROUND (G201)
- BLOWER MOTOR RELAY '85' Ter
- ELECTRIC OSRV MIRROR S W '8' Ter
- WIPER RELAY '31' Ter
- BLINKER UNIT '31' Ter
- CHIME BELL '5' Ter
- RR FOG LAMP RELAY '31' Ter
- CLUSTER '23' Ter

S204(RED)



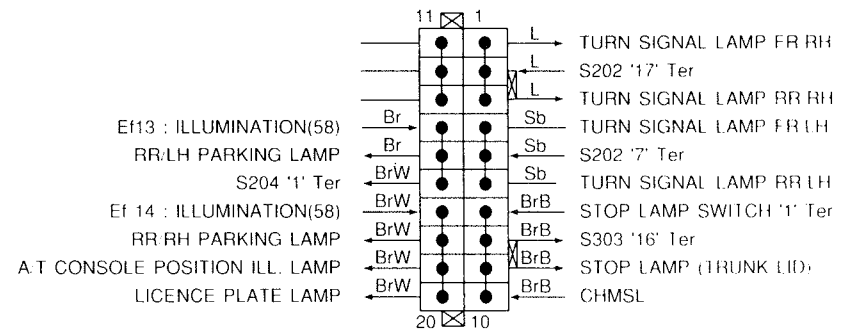
- S203 '16' Ter
- HAZARD S/W '3' Ter
- A/T CONSOLE POSITION ILL.
- A/C CONTROL S/W 'A3' Ter
- AUDIO '3' Ter ASHTRAY CHIME BELL '6' Ter
- CLUSTER '15' Ter
- FOG LAMP S/W '2' Ter
- AUDIO '11' Ter
- HLLD S/W '4' Ter
- S301 '16' Ter
- CLOCK '6' Ter
- A/C CONTROL S W 'A3' Ter
- AUDIO '3' Ter ASHTRAY CHIME BELL '6' Ter
- DRL '2', '7' Ter
- HAZARD SWITCH '2' Ter
- CLUSTER '14' Ter
- FOG LAMP SWITCH '6' Ter
- FOG LAMP SWITCH '8' Ter
- HLLD S W '1' Ter

S201(BLUE)



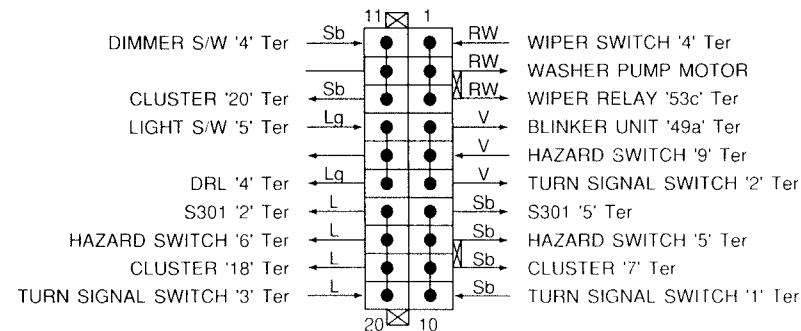
- IGN2(F18) POWER SUPPLY
- WIPER SWITCH '3' Ter, '8' Ter
- WIPER MOTOR '4' Ter
- WIPER RELAY '15' Ter
- IGN1(F11) POWER SUPPLY
- CLUSTER POWER SUPPLY '9' Ter
- CLOCK '5' Ter
- IMMOBILIZER '5' Ter
- DRL '6' Ter
- CLUSTER POWER SUPPLY '25' Ter
- CHIME BELL '8' Ter
- PARKING LEVER SWITCH
- CLUSTER '26' Ter (PARKING WARNING LAMP)
- BRAKE FLUID LEVEL SWITCH
- F2 (POWER SUPPLY 'B+')
- HEAD LAMP SWITCH '2' Ter
- ALDL CONNECTOR 'G' Ter
- CLOCK '2' Ter
- CLUSTER '28' Ter (DOOR OPEN WARNING LAMP)
- IMMOBILIZER '6' Ter

S301(ORANGE)



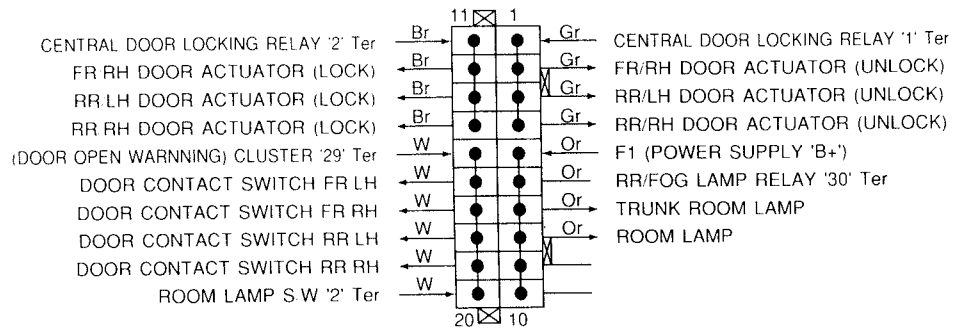
- Ef13 : ILLUMINATION(58)
- RR:LH PARKING LAMP
- S204 '1' Ter
- Ef 14 : ILLUMINATION(58)
- RR:RH PARKING LAMP
- A T CONSOLE POSITION ILL. LAMP
- LICENCE PLATE LAMP
- TURN SIGNAL LAMP FR RH
- S202 '17' Ter
- TURN SIGNAL LAMP RR RH
- TURN SIGNAL LAMP FR LH
- S202 '7' Ter
- TURN SIGNAL LAMP RR LH
- STOP LAMP SWITCH '1' Ter
- S303 '16' Ter
- STOP LAMP (TRUNK LID)
- CHMSL

S202(ORANGE)

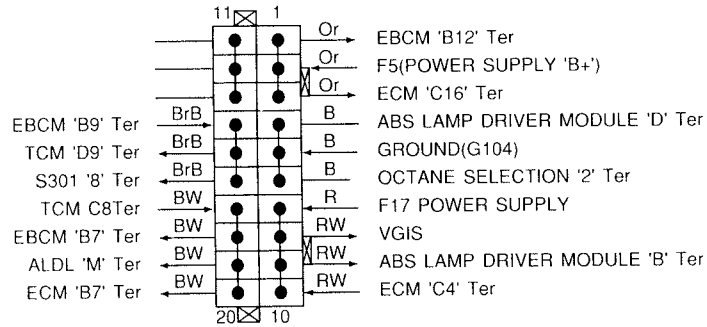


- DIMMER S/W '4' Ter
- CLUSTER '20' Ter
- LIGHT S/W '5' Ter
- DRL '4' Ter
- S301 '2' Ter
- HAZARD SWITCH '6' Ter
- CLUSTER '18' Ter
- TURN SIGNAL SWITCH '3' Ter
- WIPER SWITCH '4' Ter
- WASHER PUMP MOTOR
- WIPER RELAY '53c' Ter
- BLINKER UNIT '49a' Ter
- HAZARD SWITCH '9' Ter
- TURN SIGNAL SWITCH '2' Ter
- S301 '5' Ter
- HAZARD SWITCH '5' Ter
- CLUSTER '7' Ter
- TURN SIGNAL SWITCH '1' Ter

S302(BLUE)



S303(GRAY)





SECTION 3

WIRING DIAGRAM FOR POWER SUPPLIES

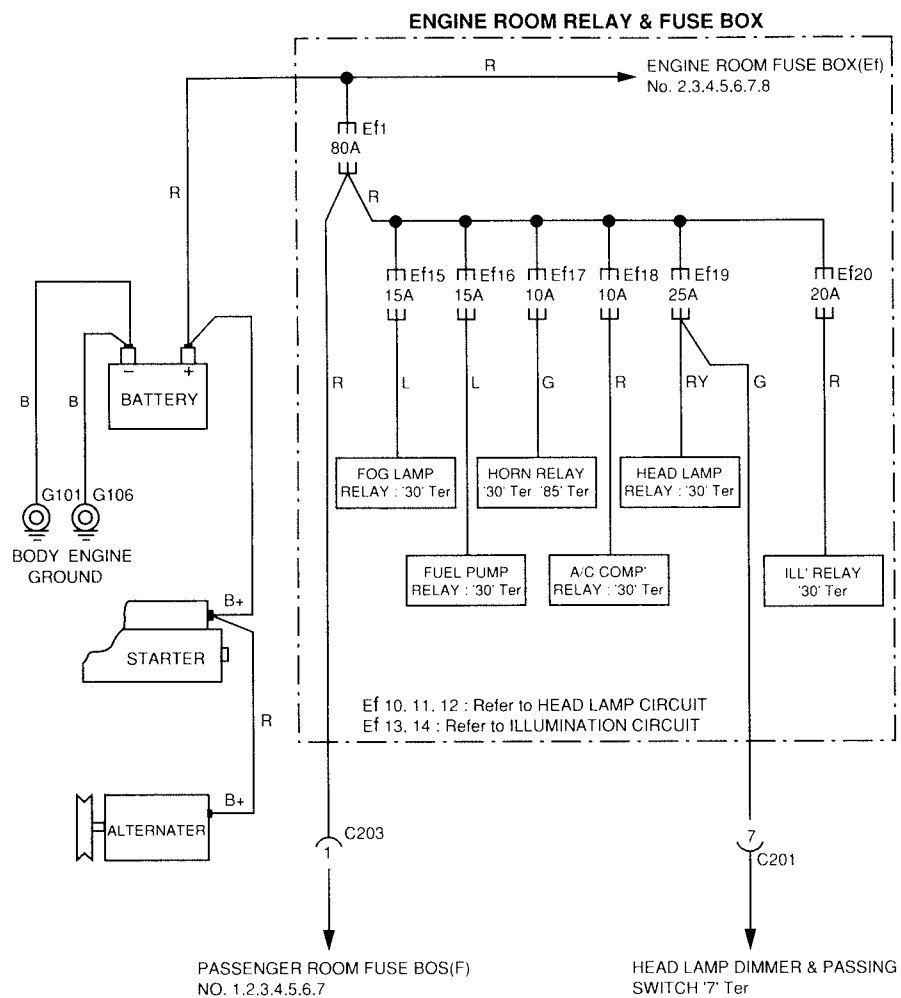
BLANK

CONTENTS

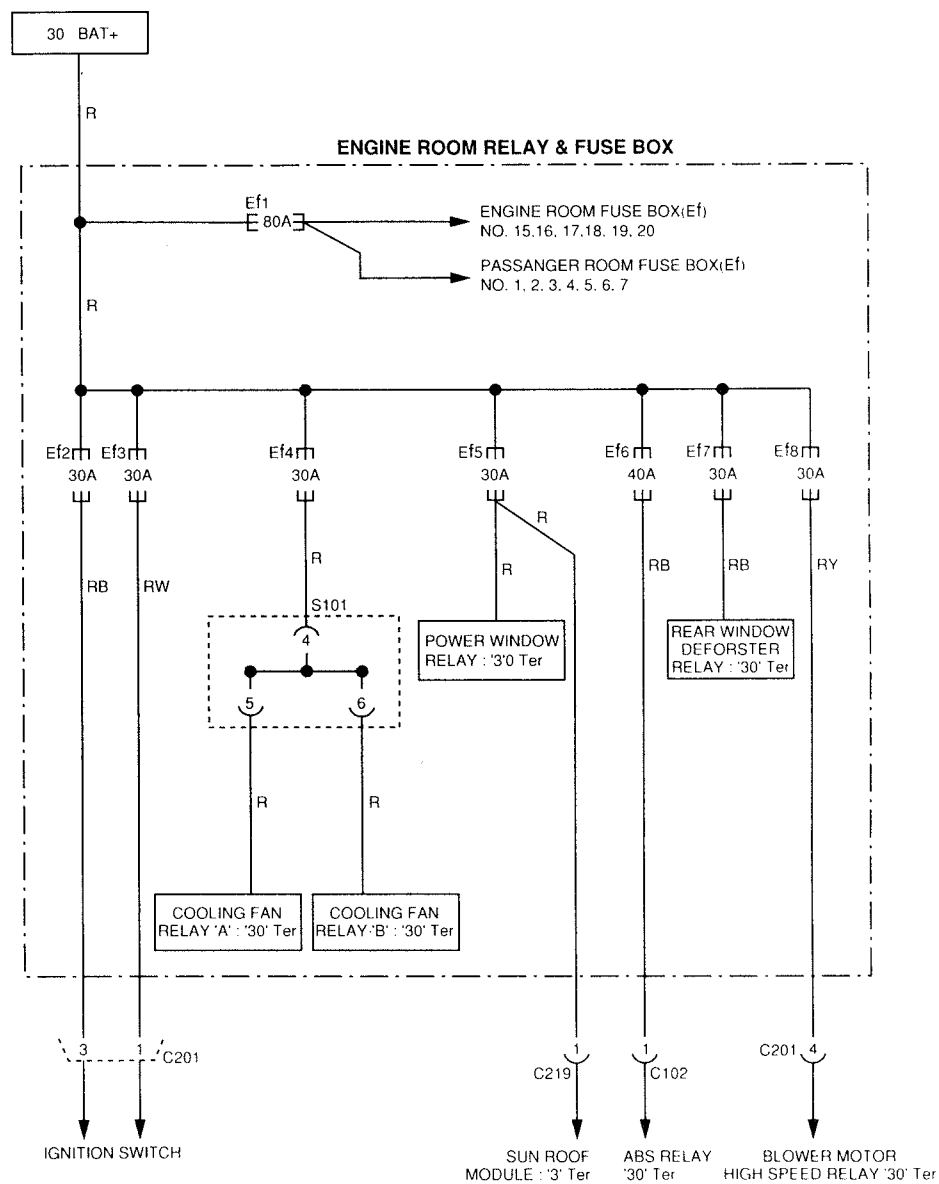
1. 30 TER **BAT+** POWER SUPPLY CIRCUIT 3-4
2. IGNITION SWITCH CIRCUIT..... 3-6
3. 15C **ACC** , 15A **IGN 2** POWER SUPPLY CIRCUIT
(PASSENGER ROOM FUSE BOX) 3-6
4. 15 TER **IGN 1** POWER SUPPLY CIRCUIT
(PASSENGER ROOM FUSE BOX) 3-7

3-4 WIRING DIAGRAM FOR POWER SUPPLIES

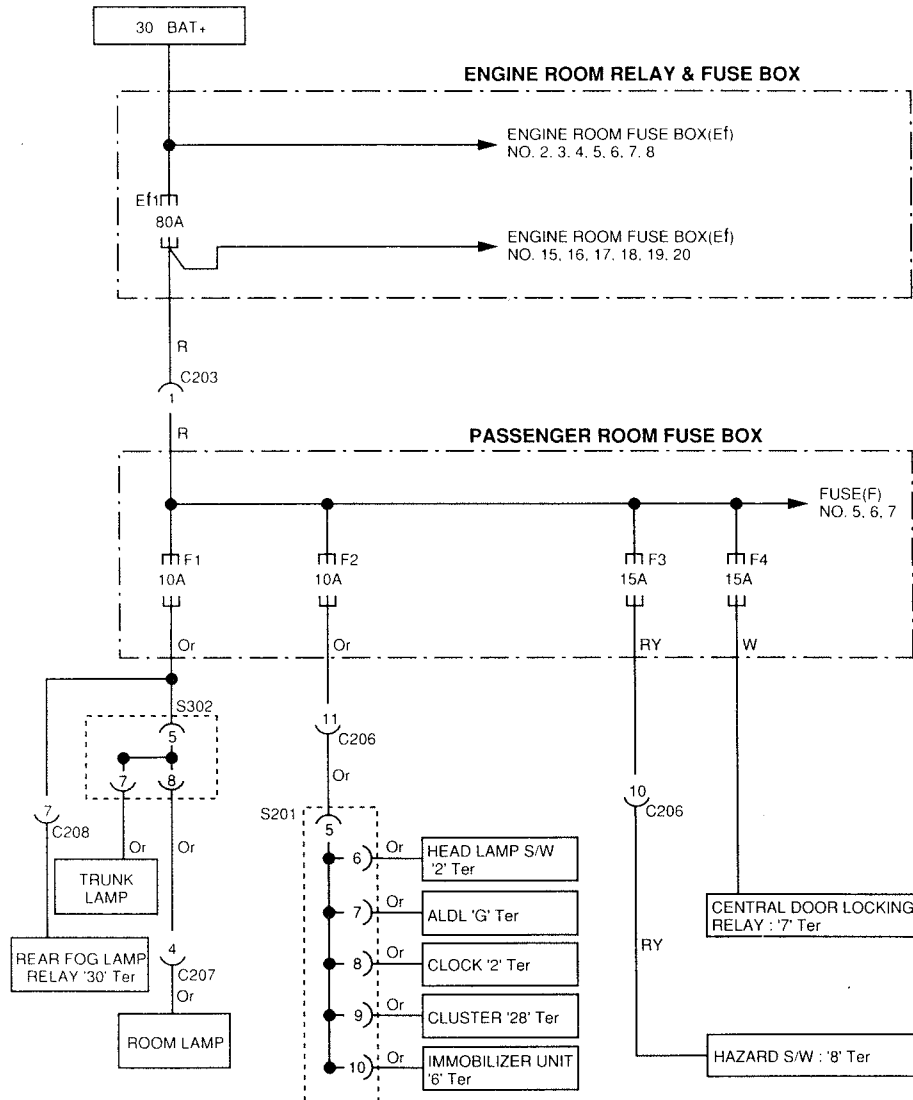
1. 30 Ter **BAT+** POWER SUPPLY CIRCUIT(ENGINE ROOM FUSE BOX)



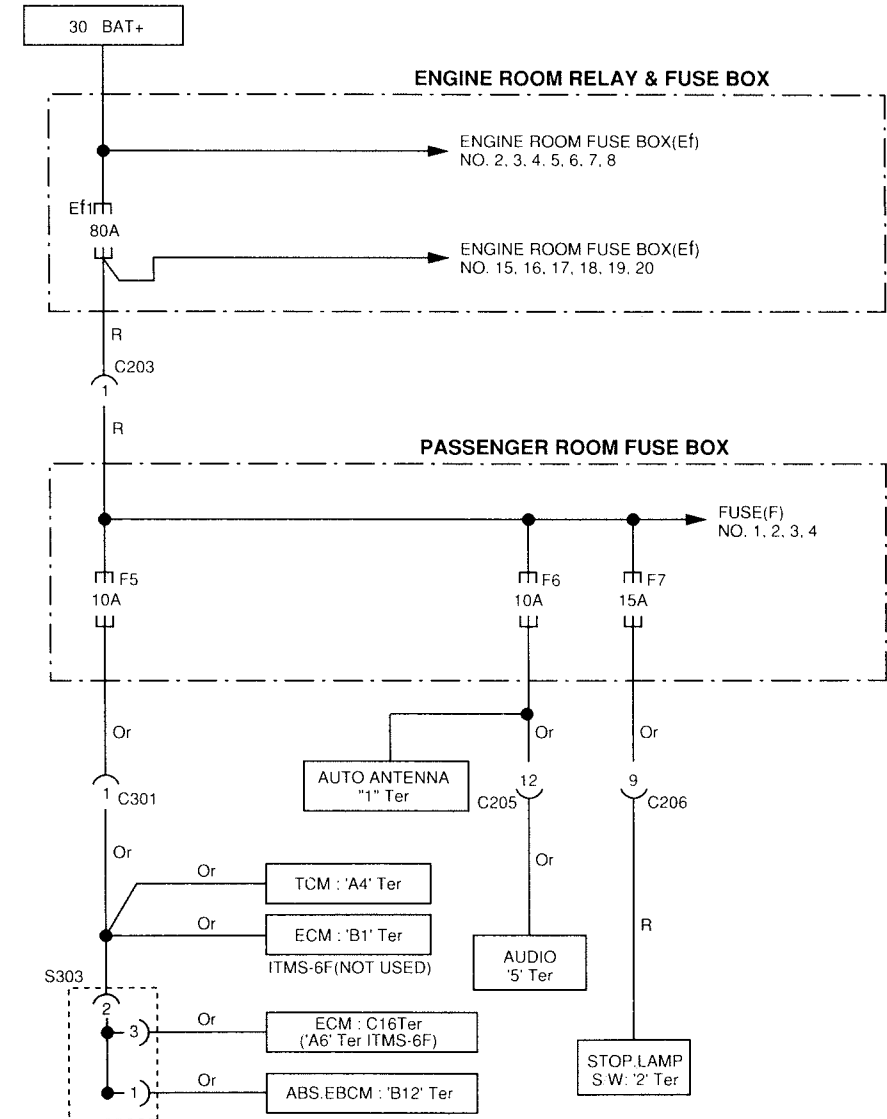
30 Ter **BAT+** POWER SUPPLY CIRCUIT(ENGINE ROOM FUSE BOX)



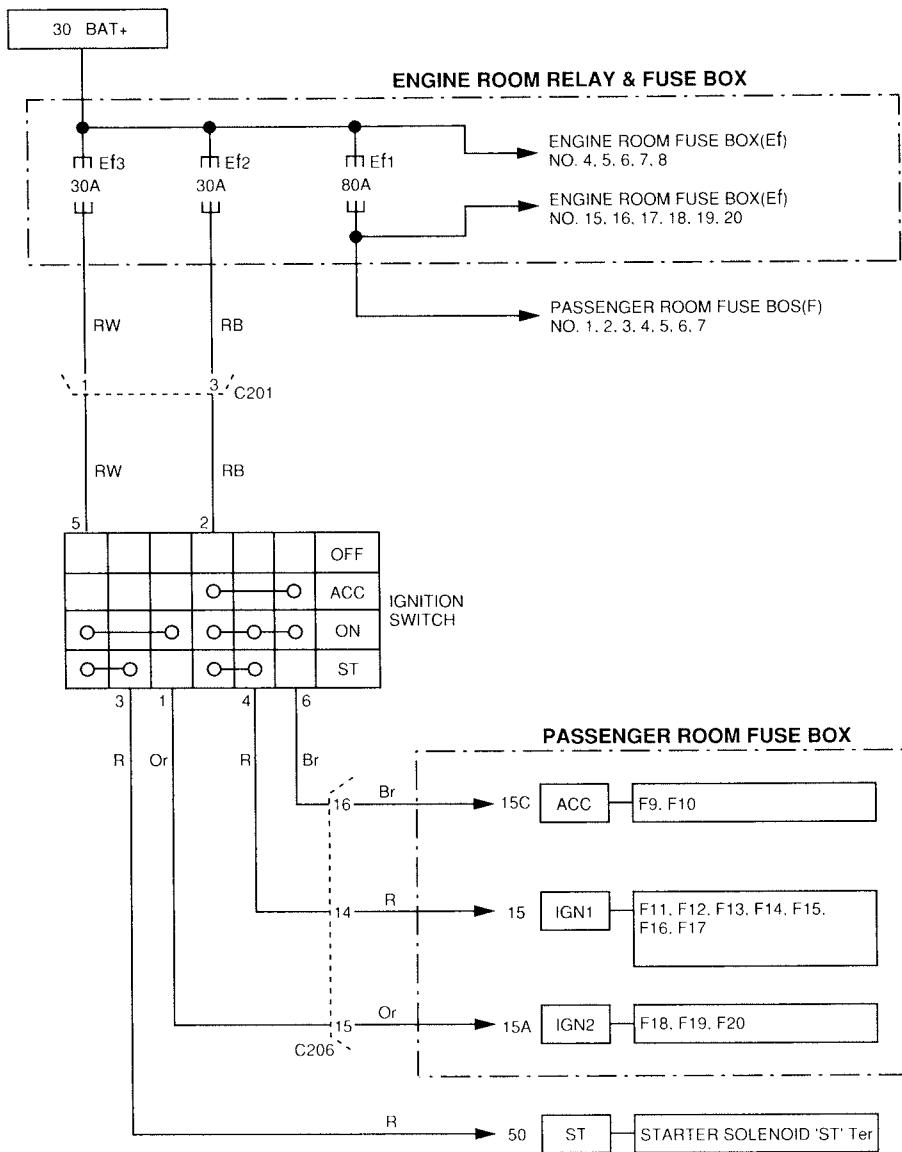
30 Ter **BAT+** POWER SUPPLY CIRCUIT(ENGINE ROOM FUSE BOX)



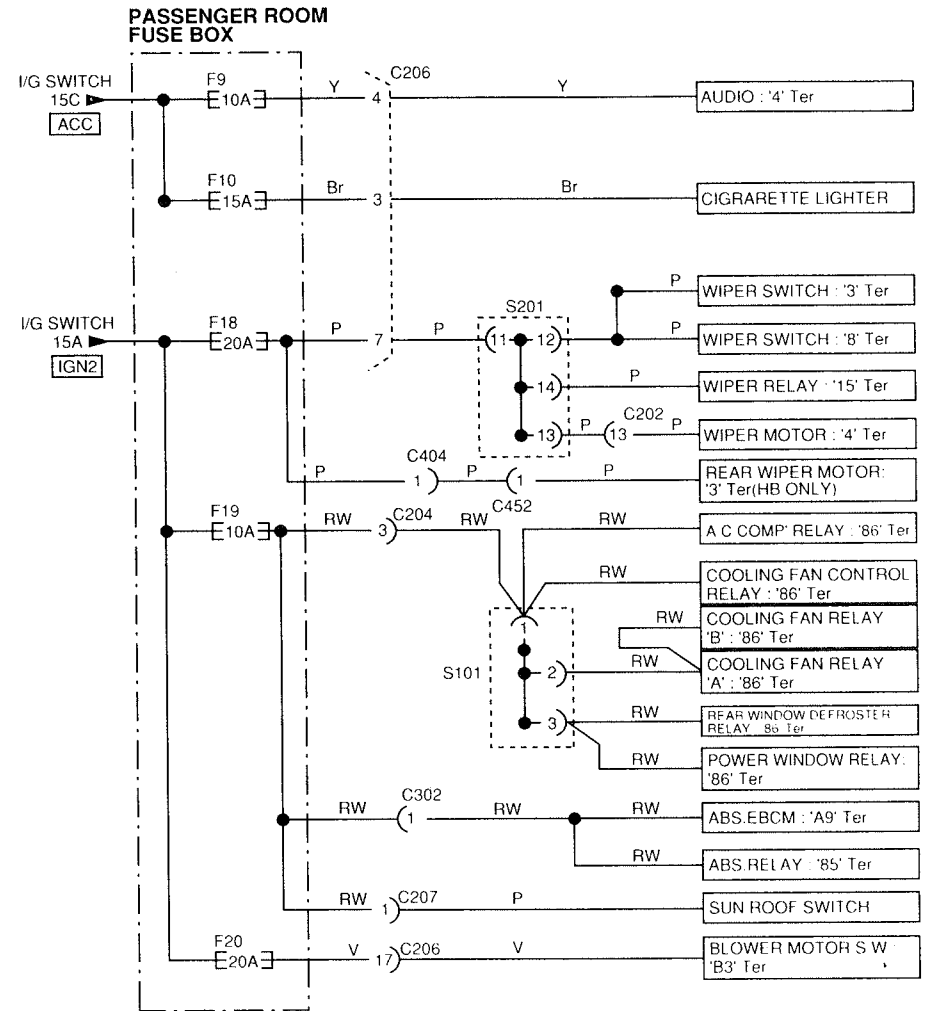
30 Ter **BAT+** POWER SUPPLY CIRCUIT(ENGINE ROOM FUSE BOX)



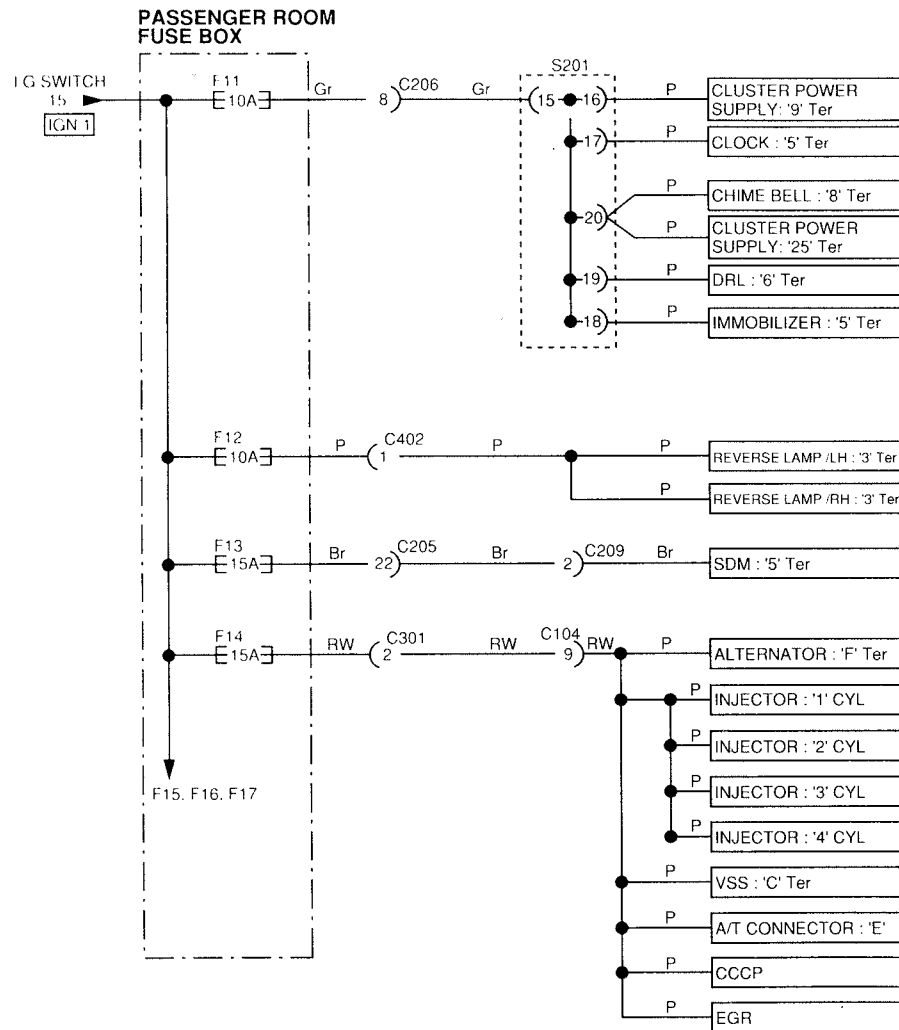
2. IGNITION SWITCH CIRCUIT



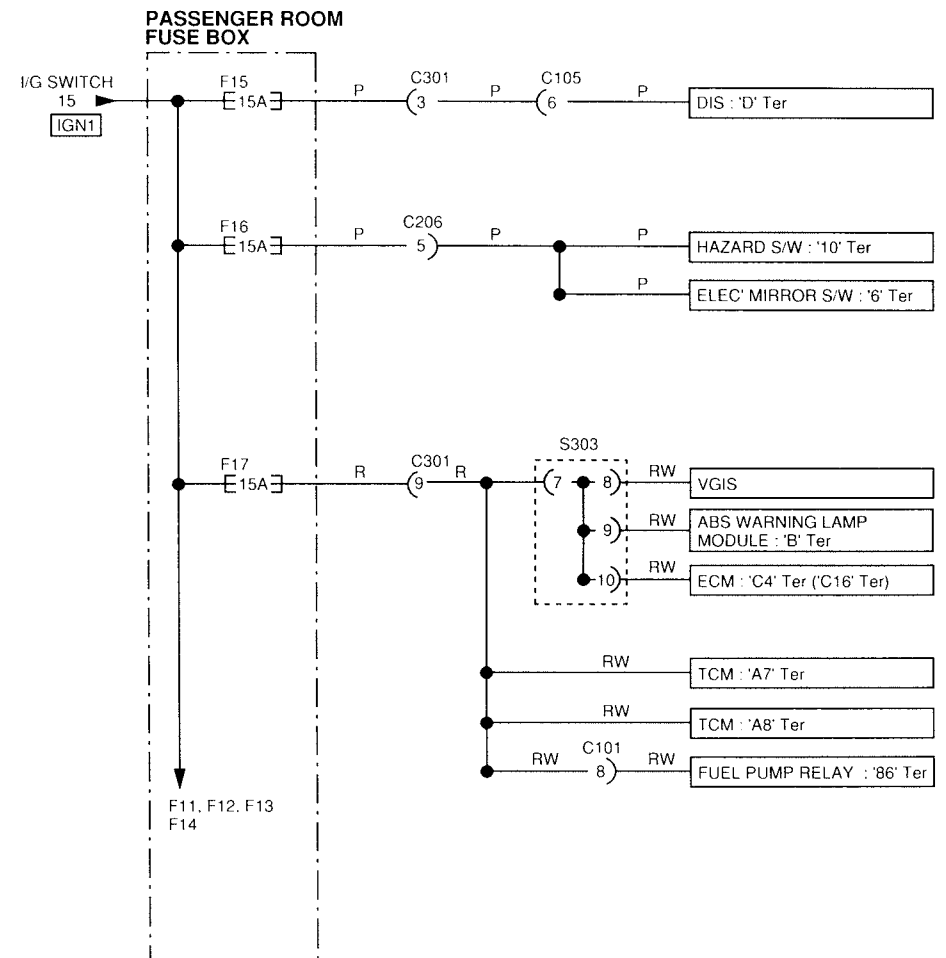
3. 15C ACC, 15A IGN2 POWER SUPPLY CIRCUIT(PASSENGER ROOM FUSE BOX)



4. 15 Ter [IGN 1] POWER SUPPLY CIRCUIT(PASSENGER ROOM FUSE BOX)



15 Ter [IGN 1] POWER SUPPLY CIRCUIT(PASSENGER ROOM FUSE BOX)





SECTION 4

USAGE AND CAPACITY OF FUSES IN FUSE BOX

BLANK

CONTENTS

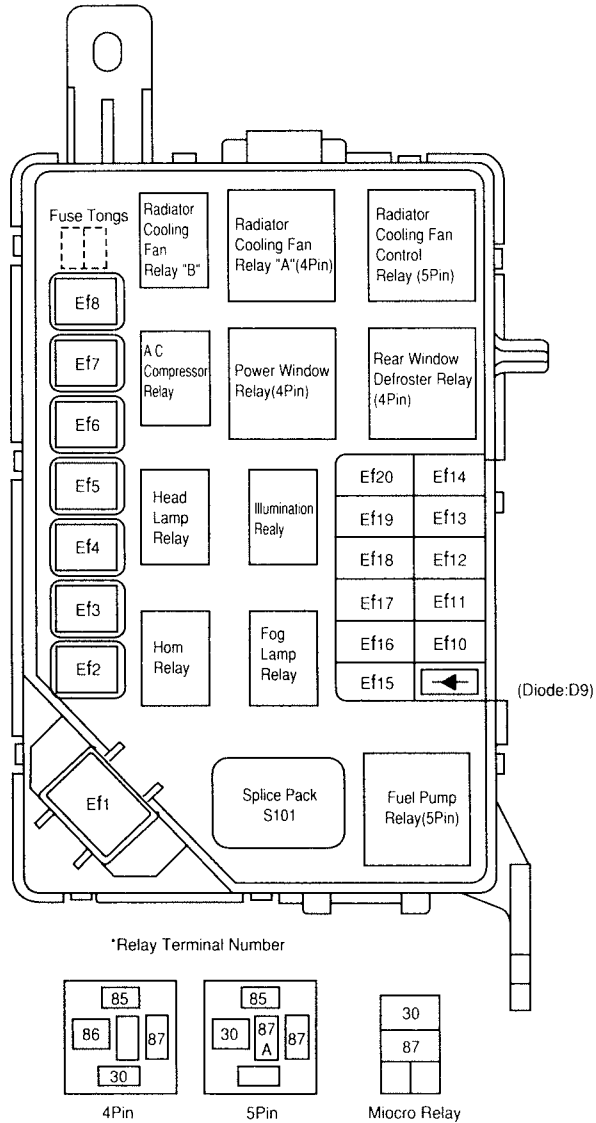
1. ENGINE ROOM RELAY AND FUSE BOX 4-4

2. PASSENGER ROOM FUSE BOX 4-5

3. PART NUMBER AND RELAY POSITION 4-6

1. ENGINE ROOM RELAY AND FUSE BOX

1) POSITION OF RELAY AND FUSE



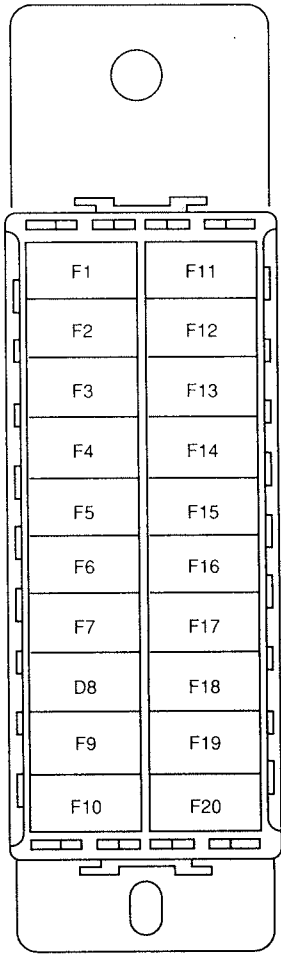
2) USAGE OF FUSES IN ENGINE ROOM FUSE BOX

Power Supply	Classification	Fuse No	Capacity	Usage
30 BAT(+)	SB (Slow-Blown Fuse)	Ef1	80A	Main Fuse
		Ef2	30A	Ignition S/W Power Supply(IGN 1)
		Ef3	30A	Ignition S/W Power Supply(IGN 2)
		Ef4	30A	Radiator Cooling Fan
		Ef5	30A	Power Window. Sun Roof
		Ef6	40A	EBCM
		Ef7	30A	Rear Window Defroster
		Ef8	30A	Blower Motor 4th Step
Diode		D9	-	A/C Compressor
56a	Blade Type	Ef10	20A	Head Lamp High Beam(LH,RH)
56b		Ef11	10A	Head Lamp Low Beam(LH)
		Ef12	10A	Head Lamp Low Beam(RH)
58L		Ef13	10A	Parking Lamp(LH), Switch Illumination
58R		Ef14	10A	Parking Lamp(RH), Licence Plate Illumination
30A BAT+		Ef15	15A	Fog Lamp
		Ef16	15A	Fuel Pump
		Ef17	10A	Horn
		Ef18	10A	A/C Compressor Magnetic Clutch
		Ef19	25A	Head Lamp Relay '30', Passing Switch
	Ef20	20A	Illumination Relay '30', Terminal	

* 56(56a, 56b) : Power supply when light switch (2nd step) or passing switch is selected.
 58(58L, 58R) : Power supply when light switch (1st or 2nd step) is selected.
 30A BAT(+) : Power supply through Ef1

2. PASSENGER ROOM FUSE BOX

1) POSITION OF FUSE



2) USAGE OF FUSES IN PASSENGER ROOM FUSE BOX

Power Supply	Classification	Fuse No	Capacity	Usage
30A BAT(+)	Blade Type	F 1	10A	Trunk Lamp, Room Lamp
		F 2	10A	Head Lamp S/W, ALDL "G" Terminal, Digital Clock, Door Opening Warning Lamp, Immobilizer.
		F 3	15A	Hazard Lamp
		F 4	15A	Central Door Locking System
		F 5	10A	ECM, TCM, EBCM
		F 6	10A	Audio, Auto Antena
		F 7	15A	Brake Lamp
Diode		D 8	-	Door Contact Switch Driver
15C ACC	Blade Type	F 9	10A	Audio
15 IGN 1 ON		F 10	15A	Cigar Lighter
		F 11	10A	I/P, Digital Clock, Seat belt Warning Lamp, Immobilizer, DRL
		F 12	10A	Reverse(Back-up) Lamp
		F 13	15A	Air Bag
		F 14	15A	Alternator 'F' Terminal, Injector, VSS(M/T)
				Shifting Solenoid(A/T), Carbon Canister Purge Solenoid
		F 15	15A	Ignition Coil(DIS)
		F 16	15A	Turn Signal, Electric Outside Rear View Mirror
		F 17	15A	ECM, TCM, ABS Lamp Driver Module, Fuel Pump Relay '86' Terminal
		F 18	20A	Wiper
15A IGN 2 ON		F 19	10A	EBCM, ABS Relay '85' Terminal
				A/C Compressor Relay '85', CoolingFan Control Relay '86' Terminal
				Radiator Cooling Fan Relay A:86, B:85 Terminal
				Power Window Relay '86', Rear Window Defroster Relay '86' Sun Roof
F 20		20A	Blower Motor 1st, 2nd, 3rd, Step	

* 30A : BAT(+) Power Supply Through Ef1.

3. PART NUMBER AND RELAY POSITION**1) ENGINE ROOM RELAY AND FUSE BOX**

Part Name	Part No	Remarks
Fuel Pump Relay	90191783	5Pin
Front Fog Lamp Relay	90229206	Micro Relay
Horn Relay	90229206	Micro Relay
Illumination Relay	90229206	Micro Relay
Head Lamp Relay	90229206	Micro Relay
Rear Window Defroster Relay	90244312	4Pin
Power Window Relay	90244312	4Pin
A/C Compressor Relay	90229206	Micro Relay
Radiator Cooling Fan Control Relay	90191753	5Pin
Radiator Cooling Fan Relay : A	90244312	4Pin
Radiator Cooling Fan Relay : B	90229206	Micro Relay

2) RELAY BOX ABOVE PASSENGER ROOM FUSE BOX

Part Name	Part No	Remarks
Blower High Speed(4th Step) Relay	90244312	
Wiper Relay	96312300	
Blinker Unit (Turn Signal Relay)	96312545	4Blinker
Rear Fog Lamp Relay	96242630	5Pin
DRL (Day-time Running Light) Module	90414786	

3) BELOW CO-DRIVER'S SEAT

- ECM, TCM

4) RH SIDE PANEL BELOW GLOVE BOX

- ABS Control Unit (EBCM)
- Central Door Locking Relay
- ABS Relay
- ABS Fuse (10A)

5) FLOOR PANEL BELOW FRONT CONSOLE

- Air-Bag Control Unit(SDM)

6) STEERING COLUMN

- Immobilizer Control Unit

SECTION 5

ELECTRICAL WIRING DIAGRAMS

BLANK

TABLE OF CONTENTS

1. STARTING AND CHARGING SYSTEM

- 1) BATTERY, IGNITION SWITCH, STARTER MOTOR, ALTERNATOR 5-8

2. ELECTRONIC FUEL INJECTION SYSTEM (ECM : ELECTRONIC CONTROL MODULE) – ONE QDM

- 1) BATTERY POWER SUPPLY AND GROUND, IGNITION SYSTEM, CRANK POSITION SENSOR 5-10
- 2) FUEL PUMP, INJECTOR, OXYGEN SENSOR (UNLEADED) 5-12
- 2-1) FUEL PUMP, INJECTOR, CO POTENTIOMETER (LEADED) 5-14
- 3) IAC STEP MOTOR, SENSORS (CTS. TPS. MAP. ACP. MAT) 5-16
- 4) CANISTER PURGE, VSS (FOR M/T) 5-18
- 5) SERVICE ENGINE SOON LAMP, P/N SWITCH, ALDL CONNECTOR 5-20

2-1. ELECTRONIC FUEL INJECTION SYSTEM (ECM : ELECTRONIC CONTROL MODULE) – TWO QDM

- 1) BATTERY POWER SUPPLY AND GROUND, IGNITION SYSTEM, CRANK POSITION SENSOR 5-22
- 2) FUEL PUMP, INJECTOR, OXYGEN SENSOR (UNLEADED) 5-24
- 2-1) FUEL PUMP, INJECTOR, CO POTENTIOMETER (LEADED) 5-26
- 3) IAC STEP MOTOR, SENSORS(CTS. TPS. MAP. ACP. MAT) 5-28
- 4) EGR, VGIS, CANISTER PURGE, VSS (FOR M/T) 5-30
- 5) EGR, VGIS, CANISTER PURGE, VSS (FOR A/T) 5-32
- 6) SERVICE ENGINE SOON LAMP, P/N SWITCH, ALDL CONNECTOR 5-34

2-2. ELECTRONIC FUEL INJECTION SYSTEM (ECM : ELECTRONIC CONTROL MODULE) – ITMS-6F

- 1) BATTERY POWER SUPPLY AND GROUND, IGNITION SYSTEM, CRANK POSITION SENSOR 5-36
- 2) FUEL PUMP, INJECTOR, OXYGEN SENSOR (UNLEADED) 5-38
- 2-1) FUEL PUMP, INJECTOR, CO POTENTIOMETER (LEADED) 5-40
- 3) IAC STEP MOTOR, SENSORS (CTS. TPS. MAP. ACP. MAT. KNOCK) 5-42
- 4) EGR, VGIS, CANISTER PURGE, VSS (FOR M/T) 5-44
- 5) EGR, VGIS, CANISTER PURGE, VSS (FOR A/T) 5-46
- 6) SERVICE ENGINE SOON LAMP, P/N SWITCH, ALDL CONNECTOR 5-48

3.	ELECTRONIC AUTOMATIC TRANSMISSION (TCM : TRANSMISSION CONTROL MODULE)	
1)	POWER SUPPLY AND GROUND	5-50
2)	SOLENOID (SHIFT, TCC, PRESSURE CONTROL), PSA	5-52
3)	SENSORS (TPS, MAP, RPM, ISS, VSS)	5-54
4)	POWER LAMP, BRAKE LAMP, ALDL CONNECTOR	5-56
4.	AIR CONDITIONING SYSTEM	
1)	INTERNAL CIRCUIT OF A/C CONTROL SWITCH	5-58
2)	A/C COMPRESSOR	5-60
3)	BLOWER MOTOR	5-62
5.	RADIATOR COOLING FAN	
1)	COOLING FAN CIRCUIT (WITH A/C)	5-64
2)	COOLING FAN CIRCUIT (W/O A/C)	5-66
6.	HEAD LAMP	
1)	HEAD LAMP SWITCH, HEAD LAMP RELAY CIRCUIT	5-68
6-1.	HEAD LAMP AND DRL (DAY-TIME RUNING LIGHT) CIRCUIT (LHD)	5-70
6-2.	HEAD LAMP LEVELING DEVICE (HLLD)	5-72
7.	PARKING LAMP, ILLUMINATION LAMP	
1)	HEAD LAMP SWITCH, ILLUMINATION RELAY	5-74
2)	LH PARKING LAMP, SWITCH ILLUMINATION	5-76
3)	RH PARKING LAMP, LICENCE PLATE LAMP, TRUNK LID TAIL LAMP, PARKING LAMP (NB)	5-78
3 -1)	RH PARKING LAMP, LICENCE PLATE LAMP, TRUNK LID TAIL LAMP, PARKING LAMP (HB)	5-80
8.	FRONT AND REAR FOG LAMP (NB)	5-82
8-1.	FRONT AND REAR FOG LAMP (HB)	5-84
8-2.	FRONT FOG LAMP (ONLY)	5-86

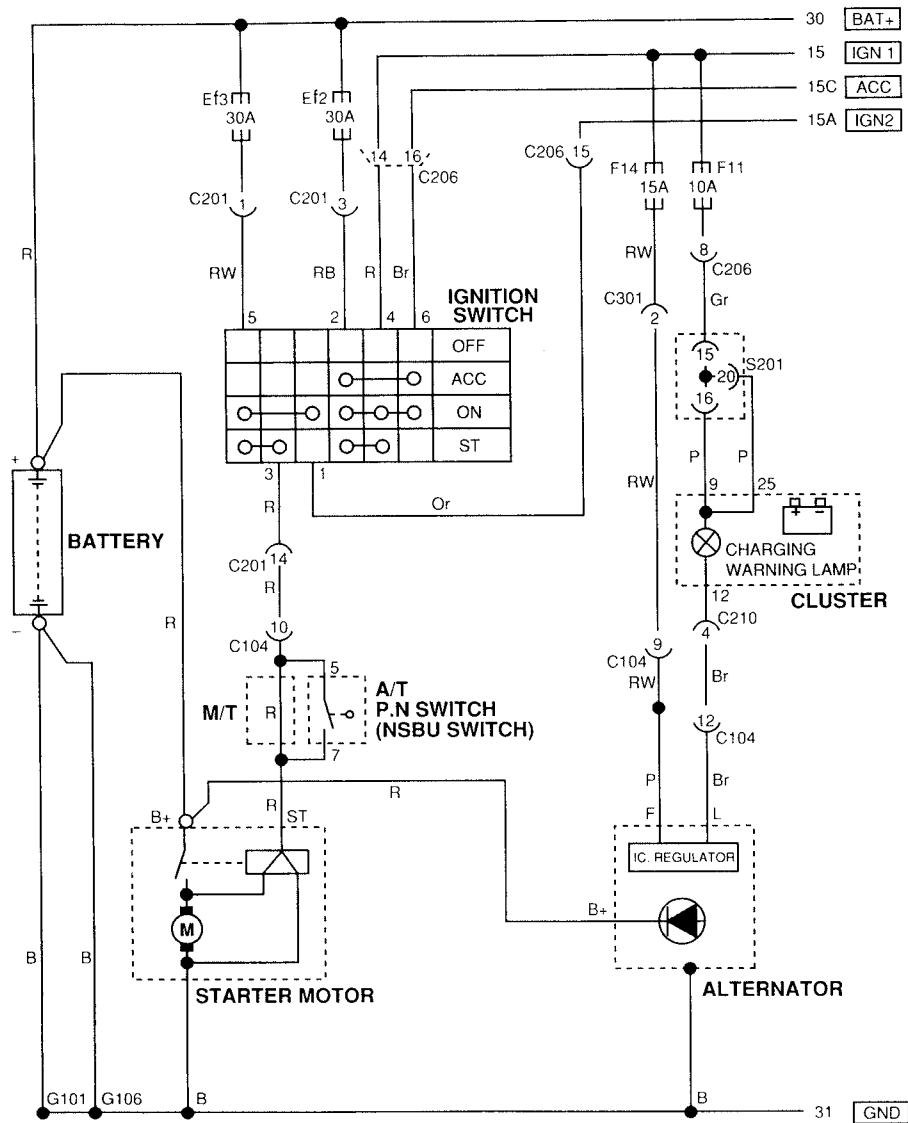
8-3.	REAR FOG LAMP(ONLY NB).....	5-88
8-4.	REAR FOG LAMP (ONLY HB)	5-90
9.	TURN SIGNAL LAMP, HAZARD LAMP.....	5-92
10.	BRAKE LAMP (NB).....	5-94
10-1.	BRAKE LAMP (HB).....	5-96
11.	CIGAR LIGHTER	
1)	CIGAR LIGHTER, ASHTRAY ILLUMINATION.....	5-98
12.	TRUNK LAMP, ROOM LAMP, DOOR OPENING WARNING LAMP (NB)	5-100
12-1.	TRUNK LAMP, ROOM LAMP, DOOR OPENING WARNING LAMP (HB)	5-102
13.	REVERSE (BACK-UP) LAMP (NB)	5-104
13-1.	REVERSE (BACK-UP) LAMP (HB)	5-106
14.	HORN.....	5-108
15.	DIGITAL CLOCK, CHINE BELL.....	5-110
16.	WIPER (FRONT ONLY)	5-112
16-1.	WIPER (FRONT & REAR).....	5-114
17.	REAR WINDOW DEFROSTER (NB)	5-116
17-1.	REAR WINDOW DEFROSTER (HB)	5-118
18.	POWER WINDOW	5-120
18-1.	POWER WINDOW (FRONT & REAR).....	5-122
19.	ELECTRIC OUTSIDE REAR VIEW MIRROR (LHD).....	5-124
19-1.	ELECTRIC OUTSIDE REAR VIEW MIRROR (RHD)	5-126
20.	CENTRAL DOOR LOCKING SYSTEM (NB-LHD)	5-128

20-1. CENTRAL DOOR LOCKING SYSTEM (NB-RHD)	5-130
20-2. CENTRAL DOOR LOCKING SYSTEM (HB 5 DOOR LHD)	5-132
20-3. CENTRAL DOOR LOCKING SYSTEM (HB 5 DOOR RHD)	5-134
20-4. CENTRAL DOOR LOCKING SYSTEM (HB 3 DOOR LHD)	5-136
20-5. CENTRAL DOOR LOCKING SYSTEM (HB 3 DOOR RHD)	5-138
21. AUDIO	
1) AUDIO, AUTO ANTENNA(NB)	5-140
2) AUDIO, AUTO ANTENNA(HB)	5-142
22. INSTRUMENT (CLUSTER)	
1) ENGINE RPM METER(TACHOMETER), TEMPERATURE GAUGE, FUEL GAUGE, LOW FUEL LEVEL WARNING LAMP	5-144
2) SPEEDOMETER	5-146
3) WARNING LAMPS (OIL PRESSURE, PARKING BRAKE, ALTERNATOR CHARGING) CIRCUIT (LHD)	5-148
3-1) WARNING LAMPS (OIL PRESSURE, PARKING BRAKE, ALTERNATOR CHARGING) CIRCUIT (RHD)	5-150
4) WARNING LAMP(AIR-BAG, ABS), INDICATING LAMP(SERVICE ENGINE SOON, POWER MODE) CIRCUIT	5-152
5) INDICATOR LAMP(TURN SIGNAL, HIGH BEAM, SEAT BELT, FRONT FOG, REAR FOG) CLUSTER ILLUMINATUION CIRCUIT	5-154
23. ABS (ANTILOCK BRAKE SYSTEM)	
1) ABS RELAY, HYDRAULIC MODULATOR, WHEEL SPEED SENSOR CIRCUIT	5-156
2) ABS WARNING LAMP, ALDL CINNECTER, STOP LAMP CIRCUIT (LHD)	5-158
2-1) ABS WARNING LAMP, ALDL CINNECTER, STOP LAMP CIRCUIT (RHD)	5-160
24. AIR-BAG (SDM : SENSING & DIAGNOSTIC MODULE)	
1) AIR BAG CONTROL UNIT(SDM), AIR BAG WARNING LAMP CIRCUIT	5-162
25. IMMOBILIZER	5-164
26. SUN ROOF	5-166

BLANK

1. STARTING & CHARGE SYSTEM

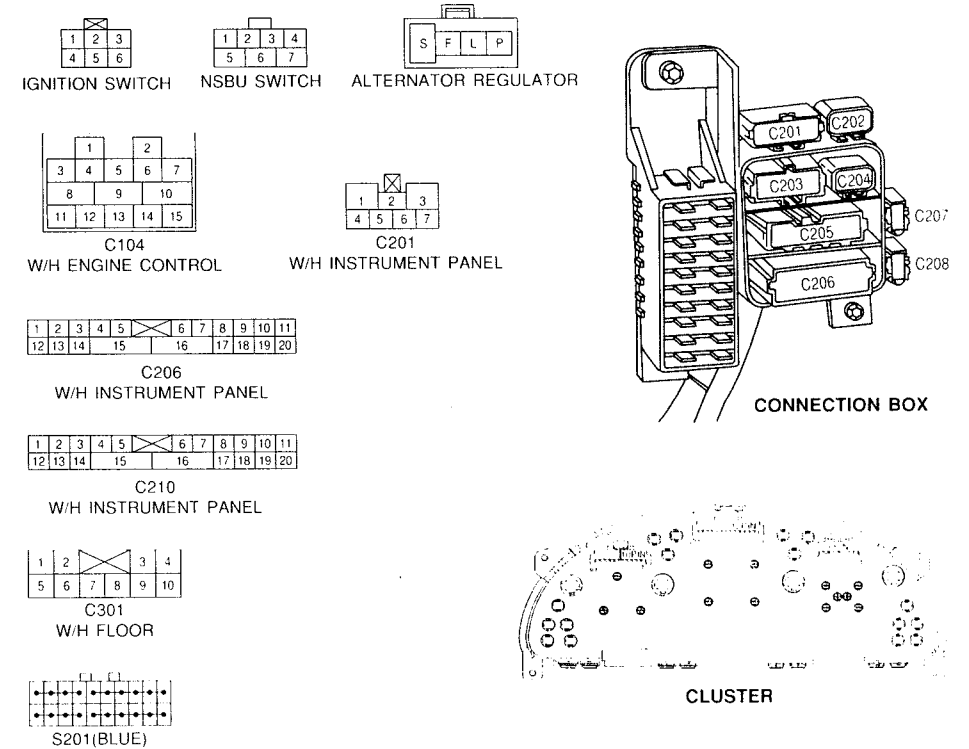
1) BATTERY, IGNITION SWITCH, STARTER MOTOR, ALTERNATOR CIRCUIT



a. CONNECTOR INFORMATION

CONNECTOR(NO) (PIN NO. COLOR)	CONNECTING. WIRING HARNESS	CONNECTOR POSITION
C104(15PIN. BLACK)	W/H ECM & ABS - Engine Control	Behind Right Strut Mounting
C201(7PIN. GRAY)	W/H FRONT - IP	Connection Box Next to Passenger Room Fuse Box
C206(20PIN. COLORLESS)	W/H FLOOR - IP	Connection Box Next to Passenger Room Fuse Box
C210(20PIN. COLORLESS)	W/H ECM & ABS - IP	Below Glove Box(Right Side Panel)
C301(10PIN. WHITE)	W/H ECM & ABS - Floor	Below Co-Driver Seat
S201(20PIN. BLUE)	Splice Pack	Next to Passenger Room Relay Box
G101	W/H Battery Cable	Behind Battery Support Body Ground
G106	W/H Battery Cable	Upper Bolt Of Starter Motor Engine Ground

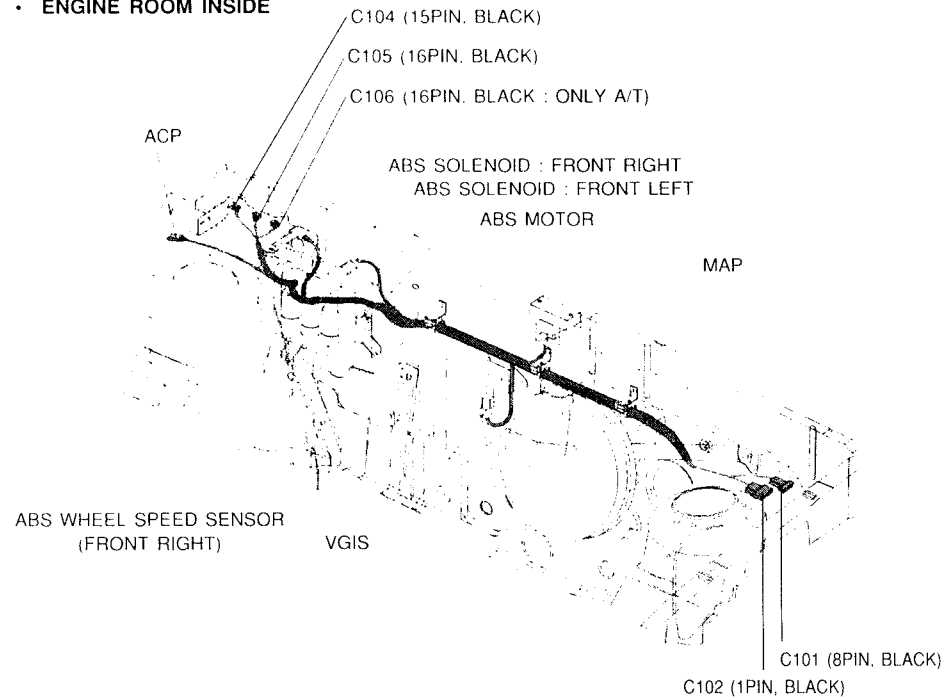
b. CONNECTOR IDENTIFICATION SYMBOL & PIN NUMBER POSITION



c. POSITION OF CONNECTORS AND GROUNDS

W/H ECM & ABS

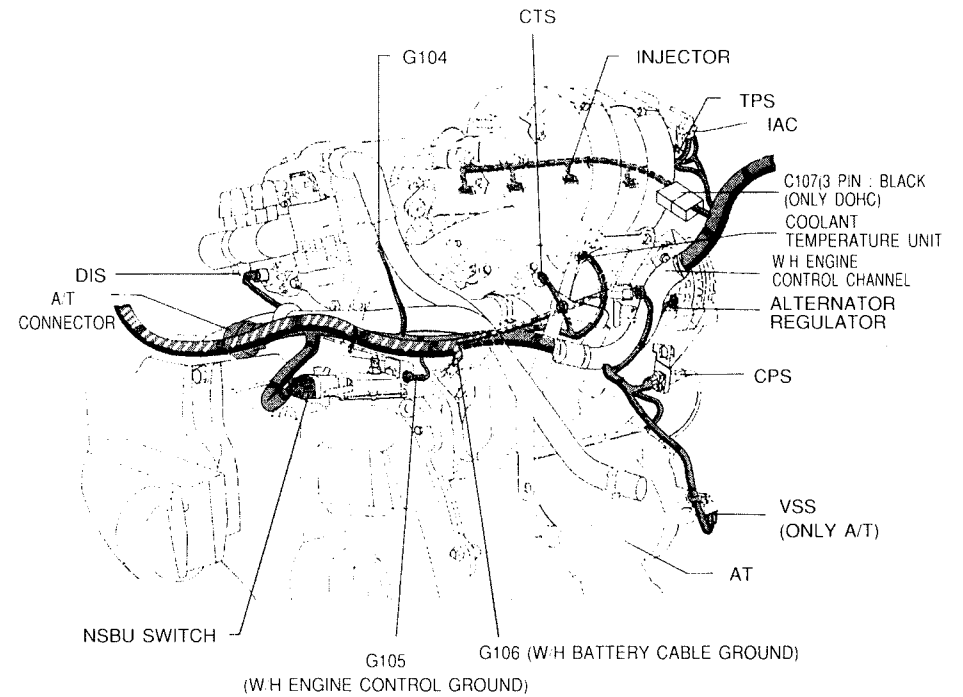
ENGINE ROOM INSIDE



W/H BATTERY

W/H ENGINE CONTROL

DOHC ENGINE



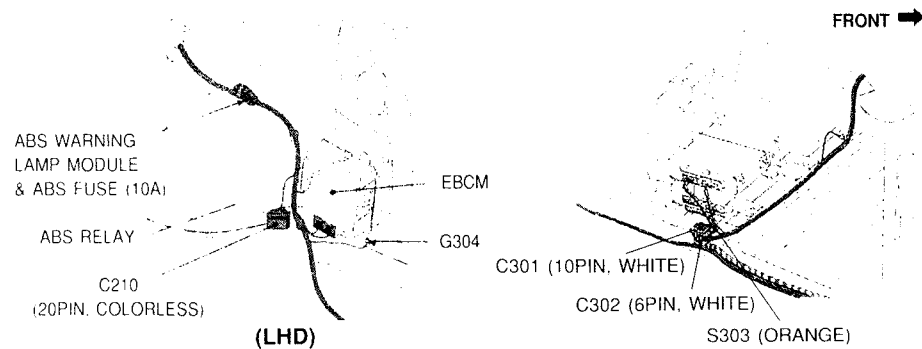
W/H ECM & ABS

PASSENGER ROOM RIGHT SIDE PANEL

"A" LOCATION

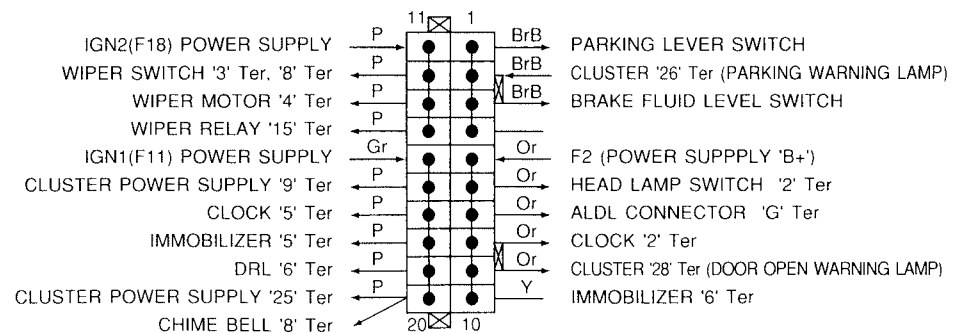
W/H FLOOR

W/H ECM & ABS



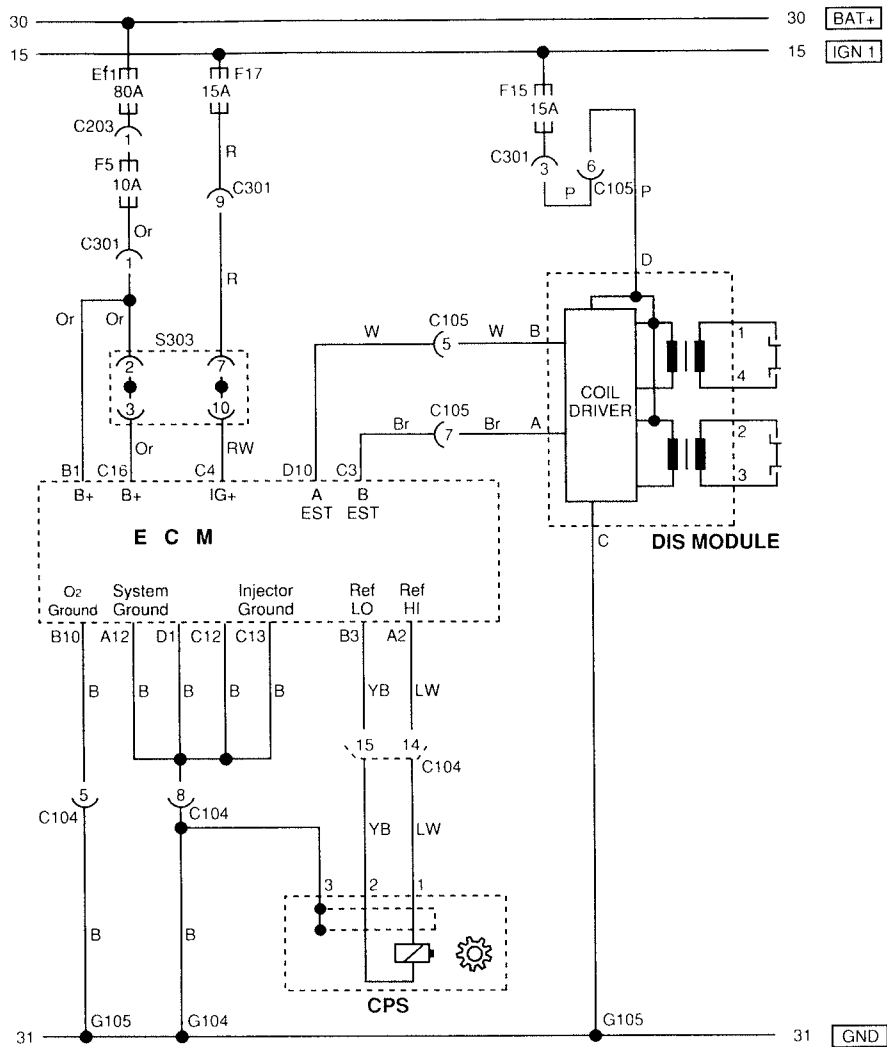
d. SPLICE PACK

S201(BLUE)



2. ECM(ELECTRONIC CONTROL MODULE) APPLICATIONS

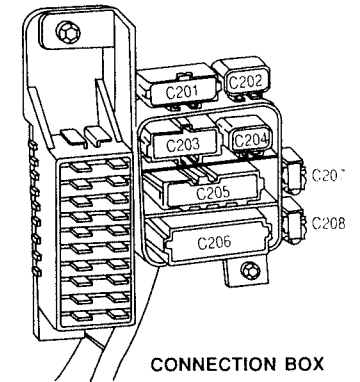
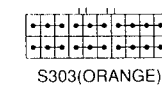
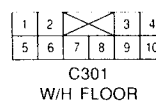
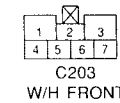
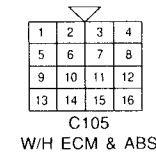
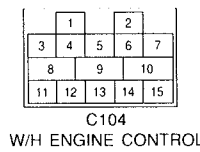
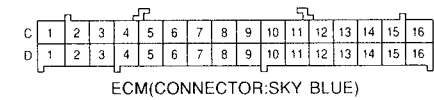
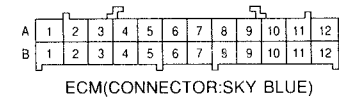
1) BATTERY POWER SUPPLY & GROUND. DIS. CPS. CIRCUIT - ONE QDM(1.5 SOHC M/T)



a. CONNECTOR INFORMATION

CONNECTOR(NO) (PIN NO. COLOR)	CONNECTING. WIRING HARNESS	CONNECTOR POSITION
C104(15PIN. BLACK)	W/H ECM & ABS - Engine Control	Behind Right Strut Mounting
C105(16PIN. BLACK)	W/H ECM & ABS - Engine Control	Behind Right Strut Mounting
C203(7PIN. BROWN)	W/H Front - Floor	Connection Box Next to Passenger Room Fuse Box
C301(10PIN. WHITE)	W/H ECM & ABS - Floor	Below Co-Driver Seat
S303(20PIN. GRAY)	Splice Pack	Below Co-Driver Seat
G104	Ground	Intake Manifold '#4' Cylinder
G105	Ground	Above Flywheel Housing

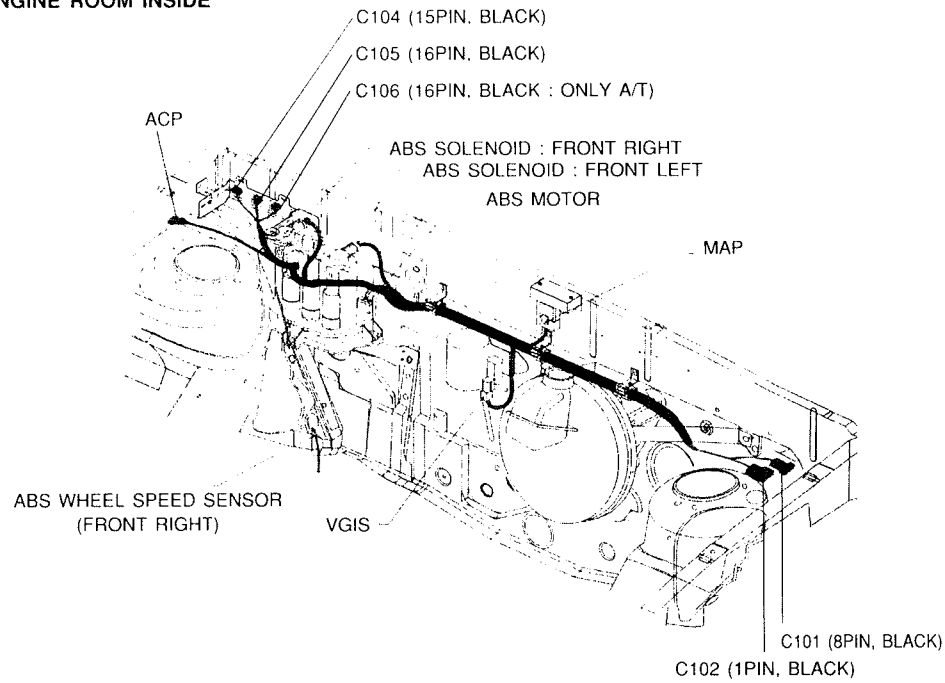
b. CONNECTOR IDENTIFICATION SYMBOL & PIN NUMBER POSITION



c. POSITION OF CONNECTORS AND GROUNDS

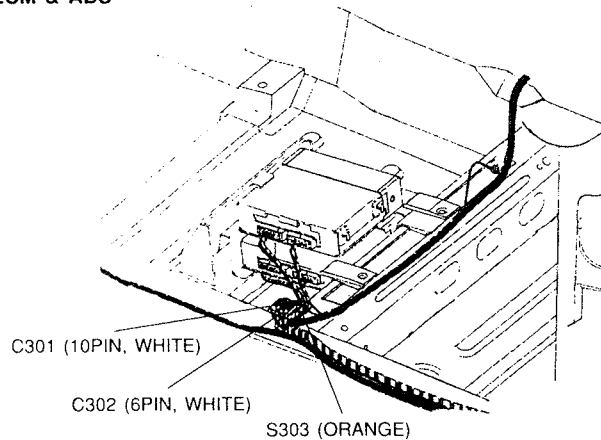
W/H ECM & ABS

ENGINE ROOM INSIDE



W/H FLOOR

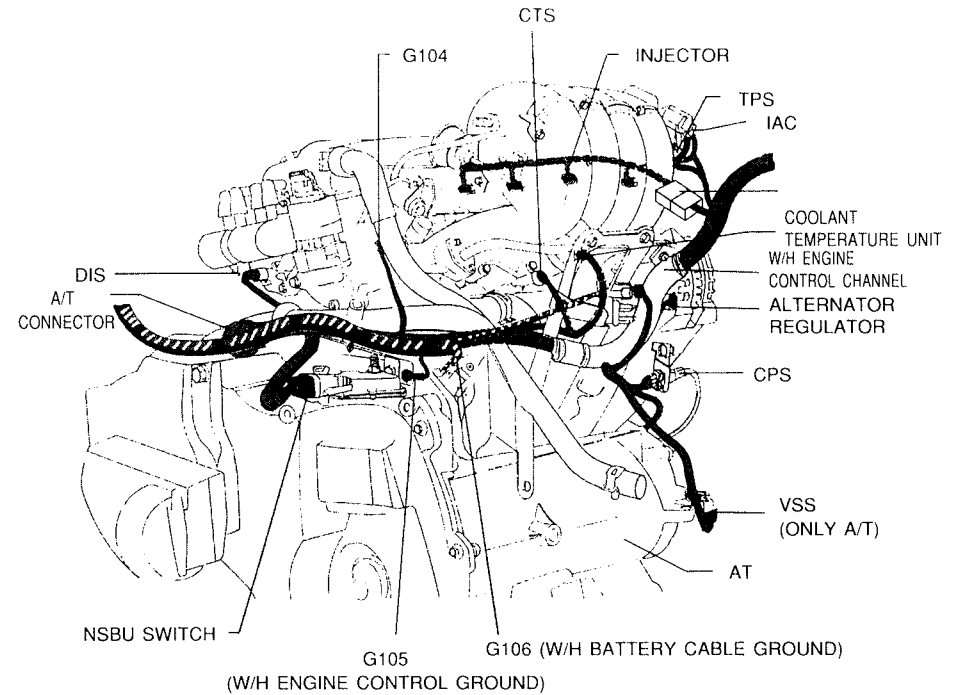
W/H ECM & ABS



W/H BATTERY

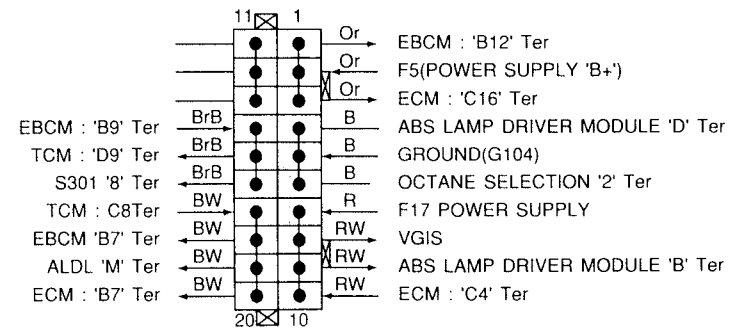
W/H ENGINE CONTROL

DOHC ENGINE



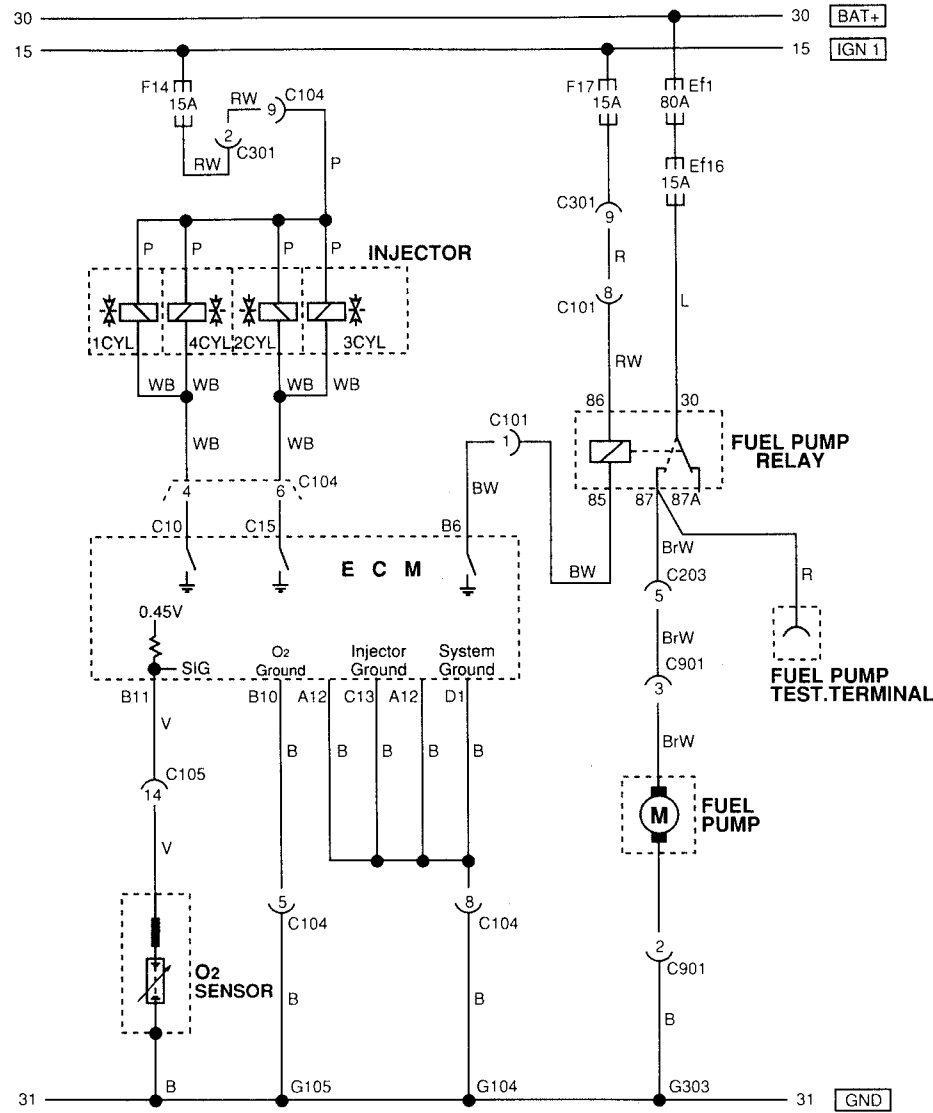
d. SPLICE PACK

S303(GRAY)



5-12 ELECTRICAL WIRING DIAGRAMS

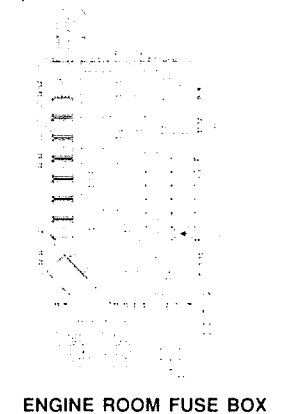
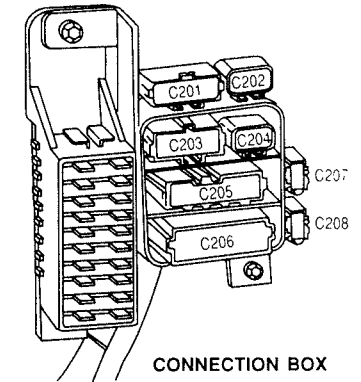
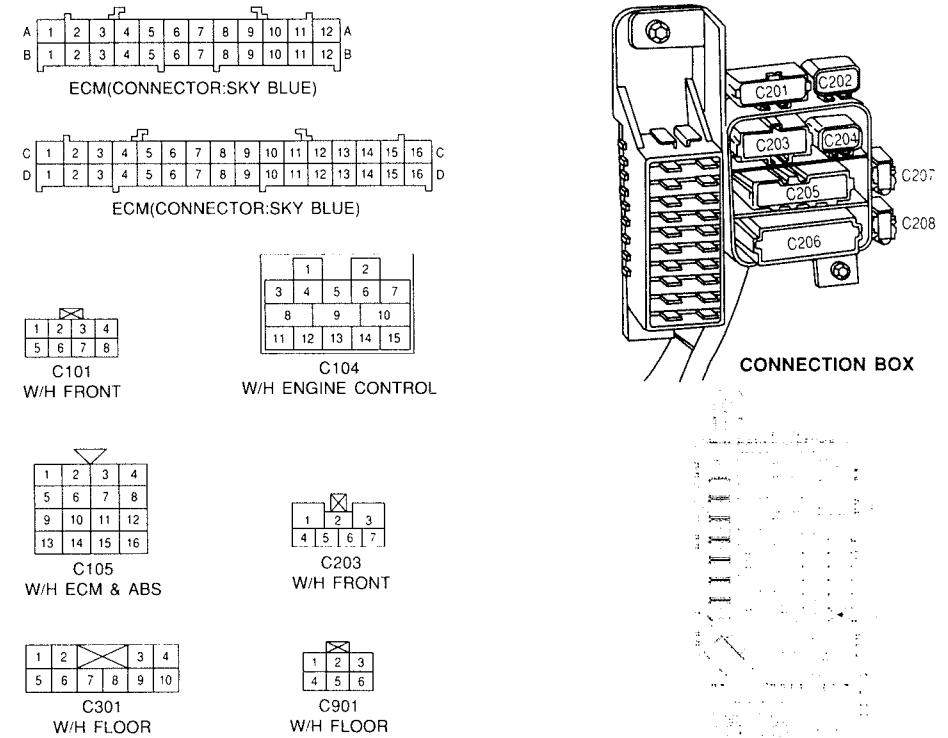
2) FUEL PUMP, INJECTOR, O₂ SENSOR CIRCUIT (UNLEADED) - ONE QDM (SOHC)




a. CONNECTOR INFORMATION

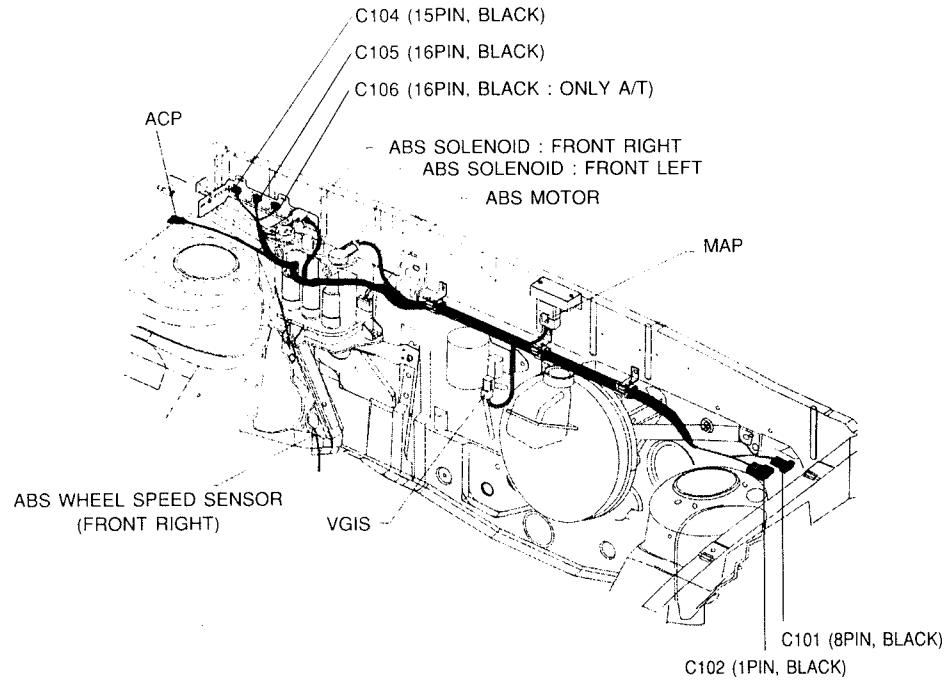
CONNECTOR(NO) (PIN NO. COLOR)	CONNECTING. WIRING HARNESS	CONNECTOR POSITION
C101(8PIN, BLACK)	W/H ECM & ABS - Front	Below Engine Coolant Surge Tank
C104(15PIN, BLACK)	W/H ECM & ABS - Engine Control	Behind Right Strut Mounting
C105(16PIN, BLACK)	W/H ECM & ABS - Engine Control	Behind Right Strut Mounting
C203(7PIN, BROWN)	W/H Front - Floor	Connection Box Next to Passenger Room Fuse Box
C301(10PIN, WHITE)	W/H ECM & ABS - Floor	Below Co-Driver Seat
C901(6PIN, BLACK)	W/H Floor - Fuel Tank	Behind Fuel Tank
G104	Ground	Intake Manifold '#4' CYLINDER
G105	Ground	Above Flywheel Housing
G303	Ground	Below Co-Driver Seat



b. CONNECTOR IDENTIFICATION SYMBOL & PIN NUMBER POSITION

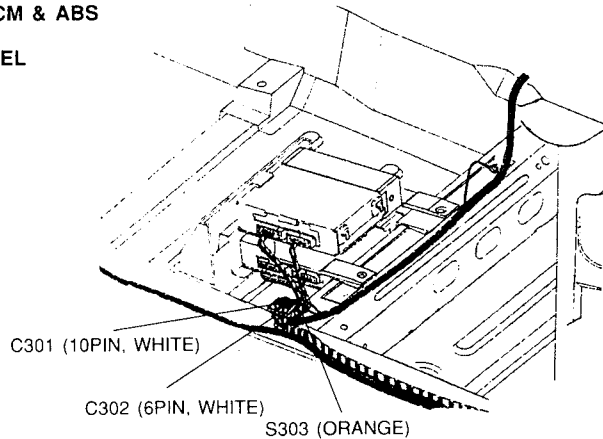


c. POSITION OF CONNECTORS AND GROUNDS

-  W/H ECM & ABS
- ENGINE ROOM INSIDE

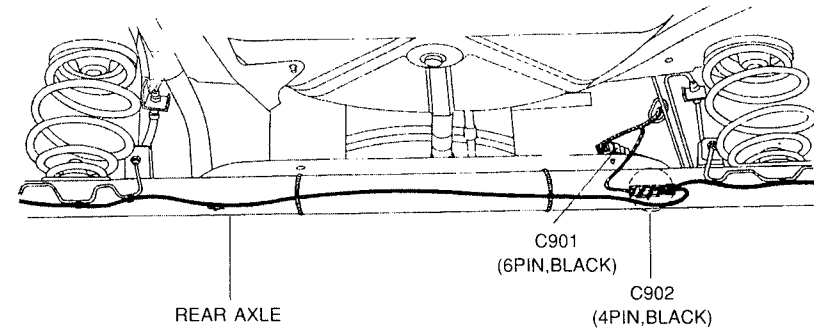




-  W/H FLOOR
-  W/H ECM & ABS
- FLOOR PANEL



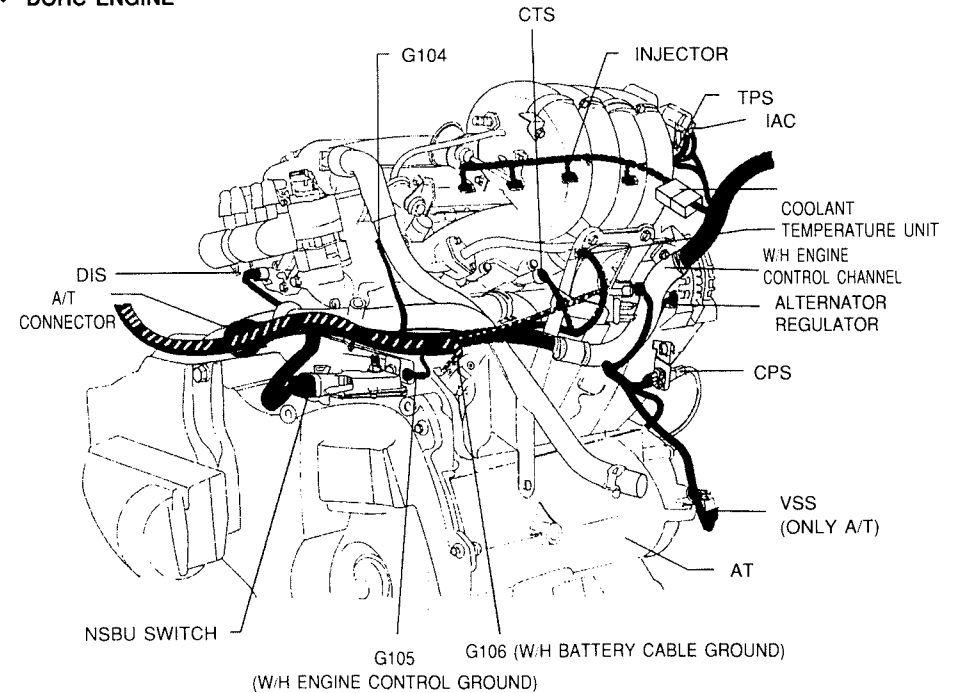
-  W/H FLOOR
-  W/H REAR ABS SENSOR

- under body



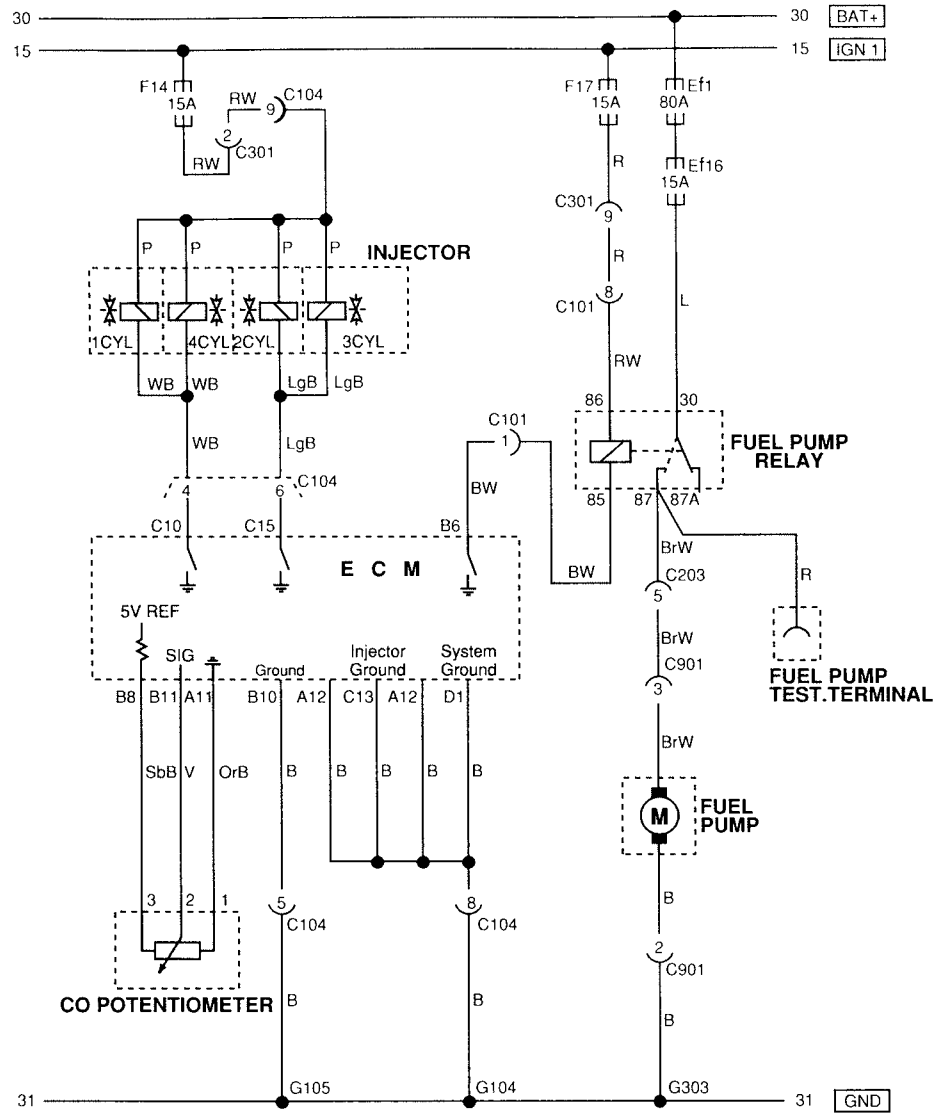
-  W/H BATTERY
-  W/H ENGINE CONTROL

- DOHC ENGINE



5-14 ELECTRICAL WIRING DIAGRAMS

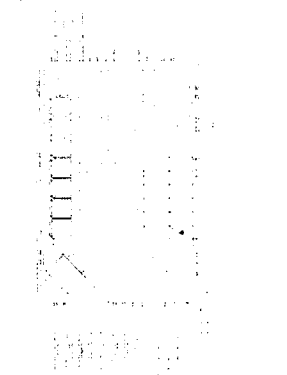
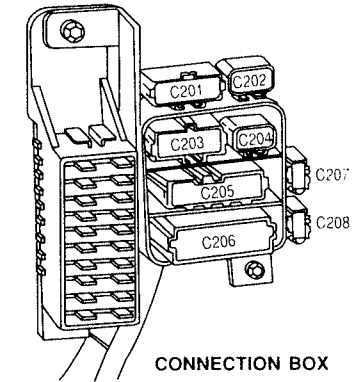
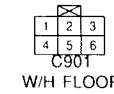
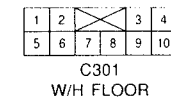
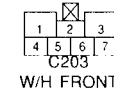
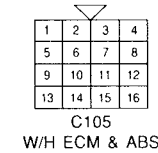
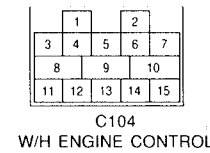
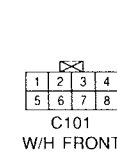
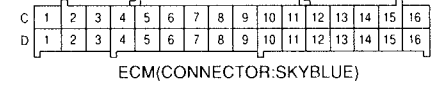
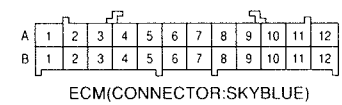
2-1) FUEL PUMP. INJECTOR. CO POTENTIOMETER CIRCUIT (LEADED) - ONE QDM (SOHC)



a. CONNECTOR INFORMATION

CONNECTOR(NO) (PIN NO. COLOR)	CONNECTING. WIRING HARNESS	CONNECTOR POSITION
C101(8PIN. BLACK)	W/H ECM & ABS - Front	Below Engine Coolant Surge Tank
C104(15PIN. BLACK)	W/H ECM & ABS - Engine Control	Behind Right Strut Mounting
C105(16PIN. BLACK)	W/H ECM & ABS - Engine Control	Behind Right Strut Mounting
C203(7PIN. BROWN)	W/H Front - Floor	Connection Box Next to Passenger Room Fuse
C301(10PIN. WHITE)	W/H ECM & ABS - Floor	Below Co-Driver Seat
C901(6PIN. BLACK)	W/H Floor - Fuel Tank	Behind Fuel Tank
G104	Ground	Intake Manifold '#4' Cylinder
G105	Ground	Above Flywheel Housing
G303	Ground	Below Co-Driver Seat

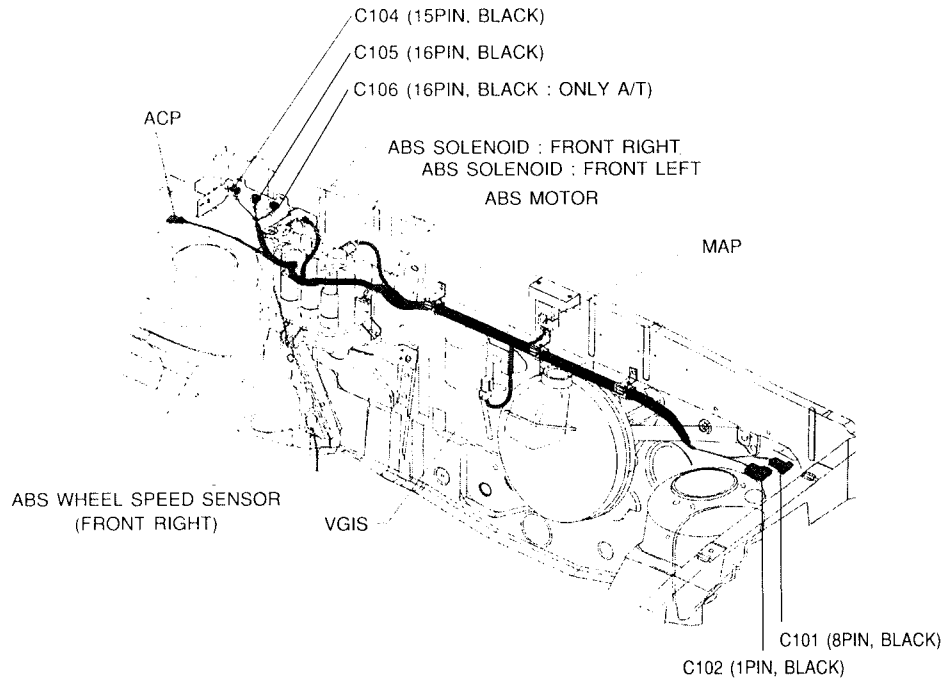
b. CONNECTOR IDENTIFICATION SYMBOL & PIN NUMBER POSITION



c. POSITION OF CONNECTORS AND GROUNDS

W/H ECM & ABS

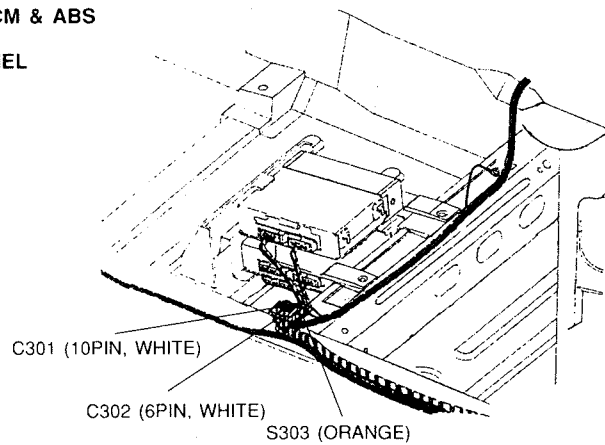
ENGINE ROOM INSIDE



W/H FLOOR

W/H ECM & ABS

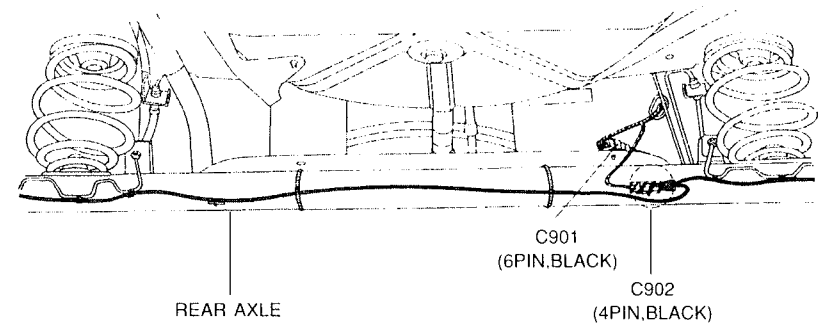
FLOOR PANEL



W/H FLOOR

W/H REAR ABS SENSOR

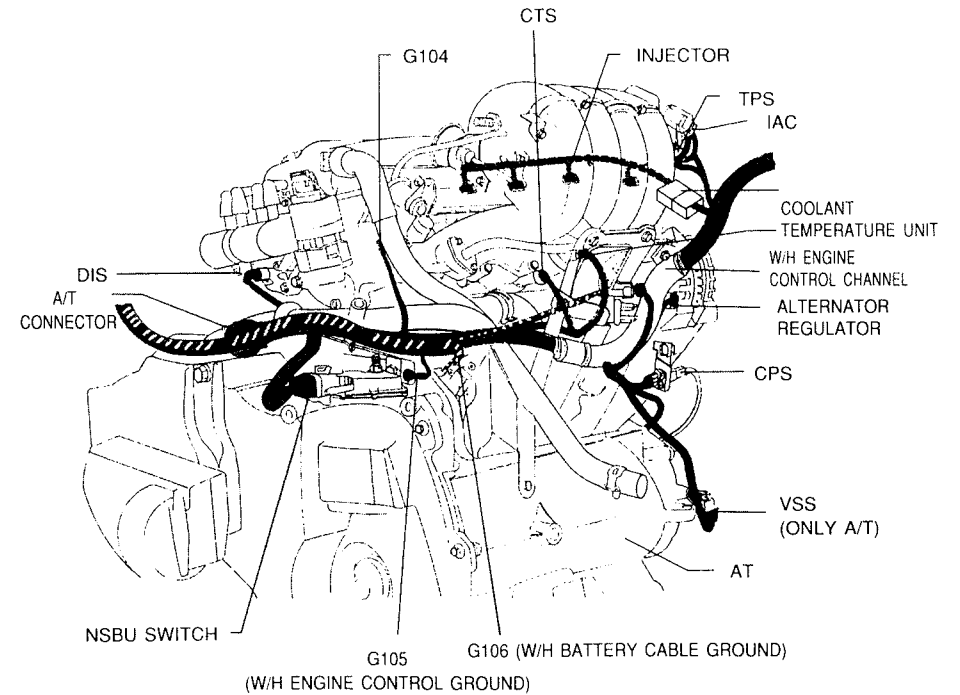
under body



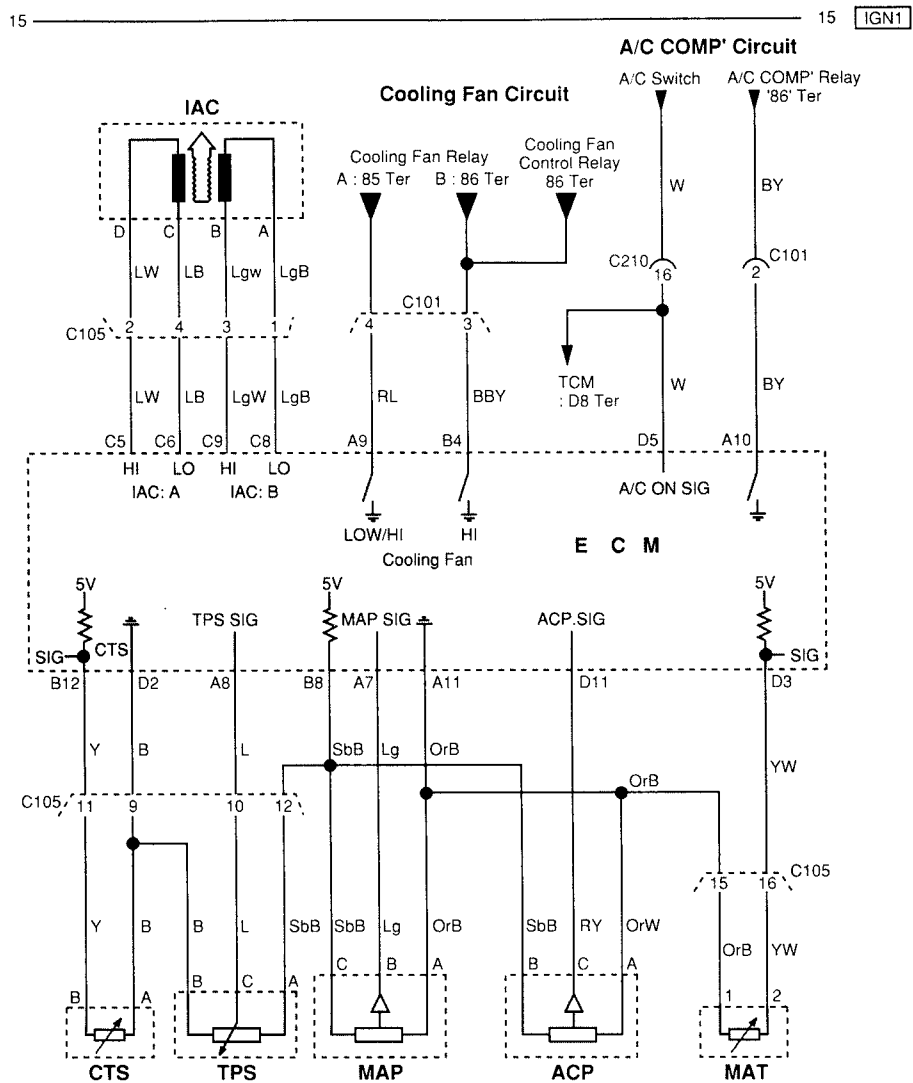
W/H BATTERY

W/H ENGINE CONTROL

DOHC ENGINE



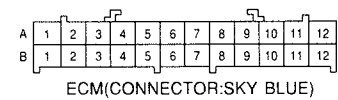
3) IAC. CTS. TPS. MAP. ACP. MAT. CIRCUIT - ONE QDM



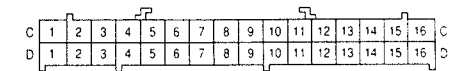
a. CONNECTOR INFORMATION

CONNECTOR(NO) (PIN NO. COLOR)	CONNECTING. WIRING HARNESS	CONNECTOR POSITION
C101(8PIN, BLACK)	W/H ECM & ABS - Front	Below Engine Coolant Surge Tank
C105(16PIN, BLACK)	W/H ECM & ABS - Engine Control	Behind Right Strut Mounting
C210(20PIN, COLORLESS)	W/H ECM & ABS - IP	Below Glove Box (Right Side Panel)

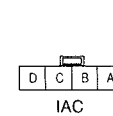
b. CONNECTOR IDENTIFICATION SYMBOL & PIN NUMBER POSITION



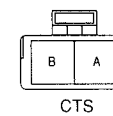
ECM(CONNECTOR:SKY BLUE)



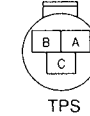
ECM(CONNECTOR:SKY BLUE)



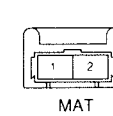
IAC



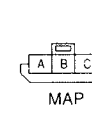
CTS



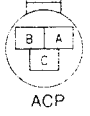
TPS



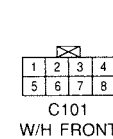
MAT



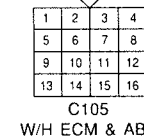
MAP



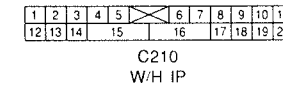
ACP



C101
W/H FRONT



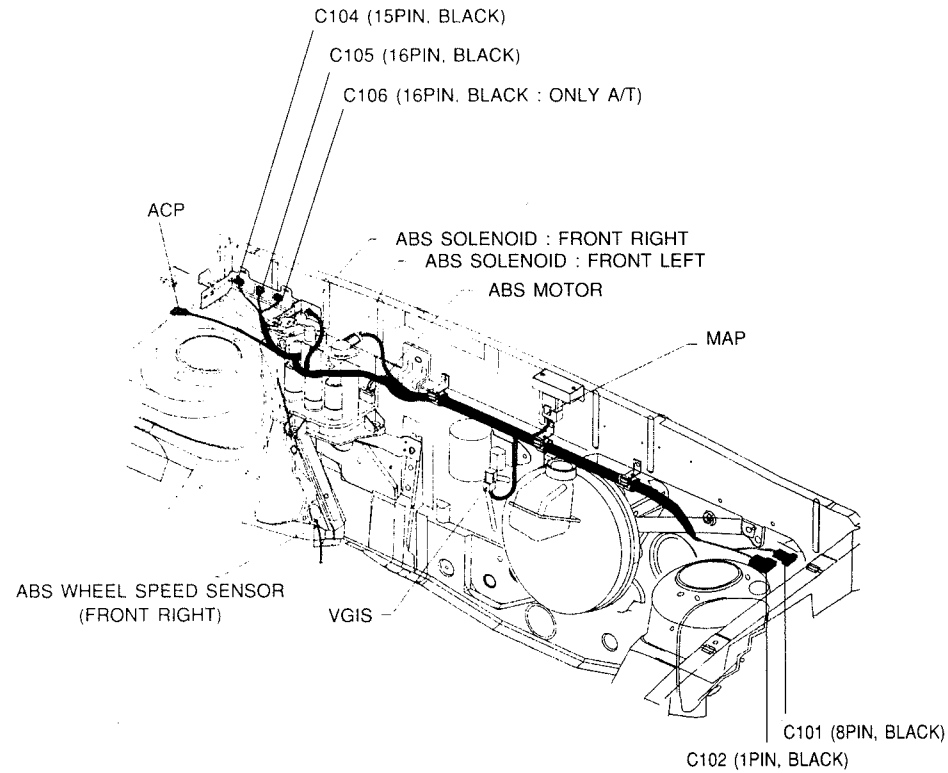
C105
W/H ECM & ABS



C210
W/H IP

c. POSITION OF CONNECTORS AND GROUNDS

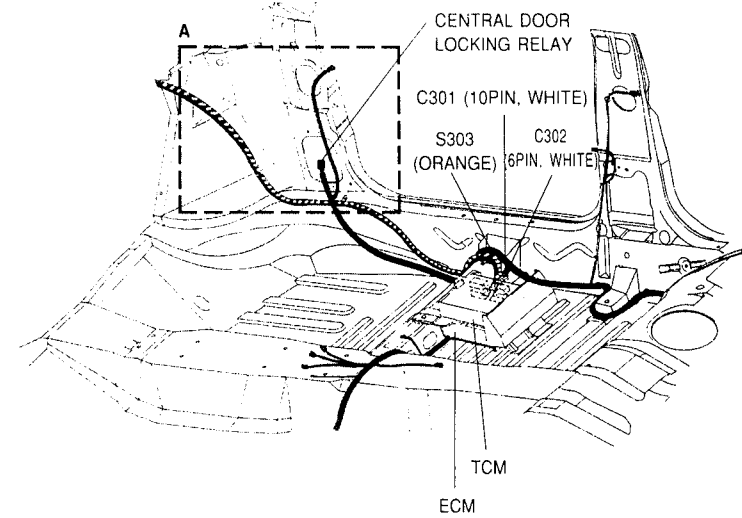
- W/H ECM & ABS
- ENGINE ROOM INSIDE



- W/H FLOOR
- ▣ W/H ECM & ABS

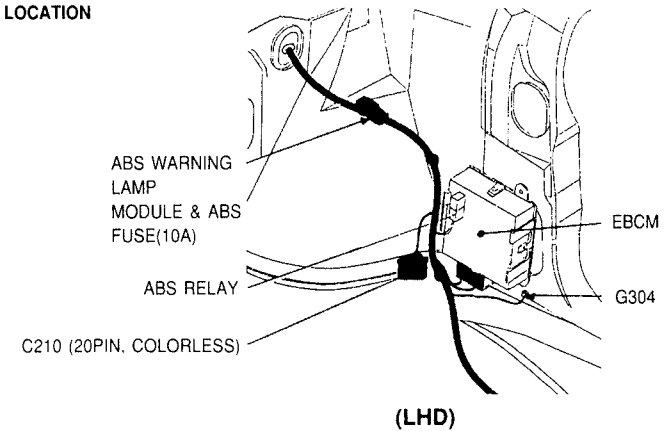
- PASSENGER ROOM RIGHT SIDE PANEL

← FRONT

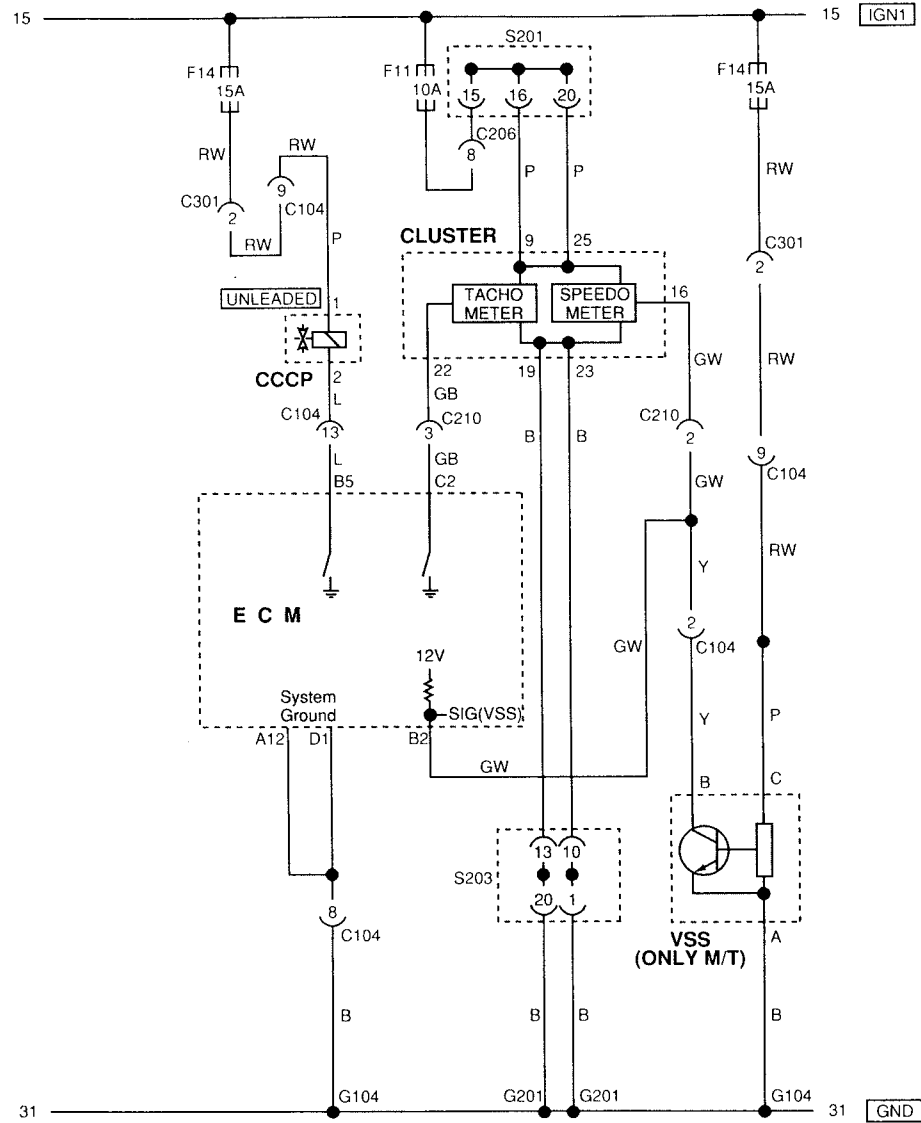


- W/H ECM & ABS

- "A" LOCATION



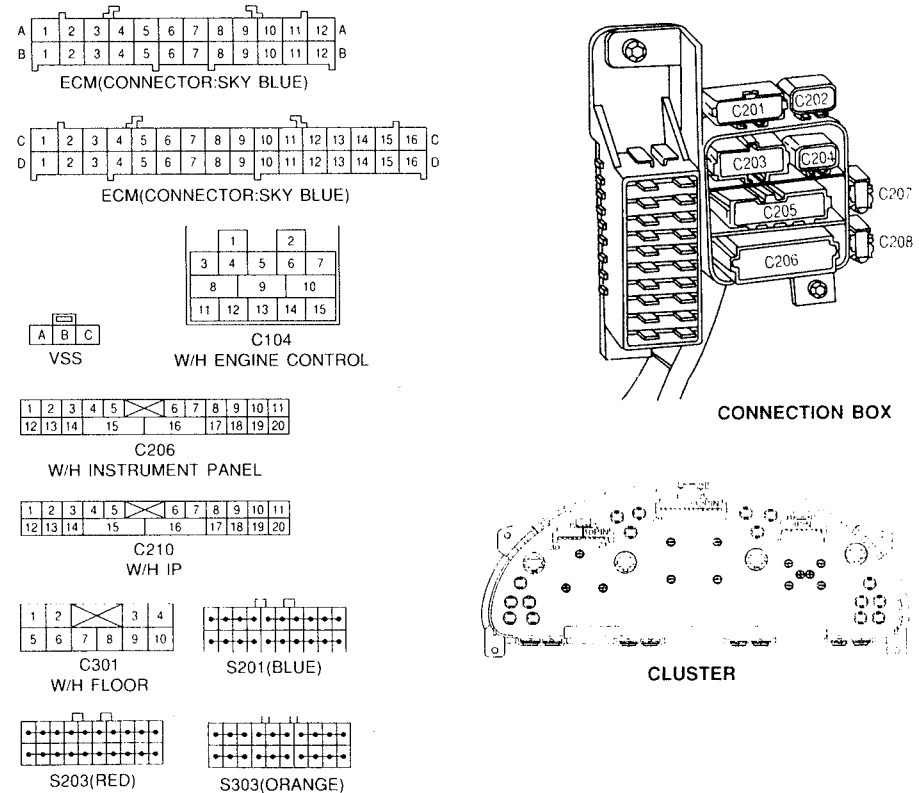
4) CCCP. VSS. CIRCUIT (ONLY M/T) - ONE QDM



a. CONNECTOR INFORMATION

CONNECTOR(NO) (PIN NO. COLOR)	CONNECTING. WIRING HARNESS	CONNECTOR POSITION
C104(15PIN, BLACK)	W/H ECM & ABS - Engine Control	Behind Right Strut Mounting
C206(20PIN, COLORLESS)	W/H Floor - IP	Connection Box Next to Passenger Room Fuse Box
C210(20PIN, COLORLESS)	W/H ECM & ABS - IP	Below Glove Box (Right Side Panel)
C301(10PIN, WHITE)	W/H ECM & ABS - Floor	Below Co-Driver Seat
S201(20PIN, BLUE)	Splice Pack	Next to Passenger Room Relay Box
S203(20PIN, RED)	Splice Pack	Next to Passenger Room Relay Box
S303(20PIN, GRAY)	Splice Pack	Below Co-Driver Seat
G104	Ground	Intake Manifold #4 Cylinder
G201	Ground	Below Right Front Console Box

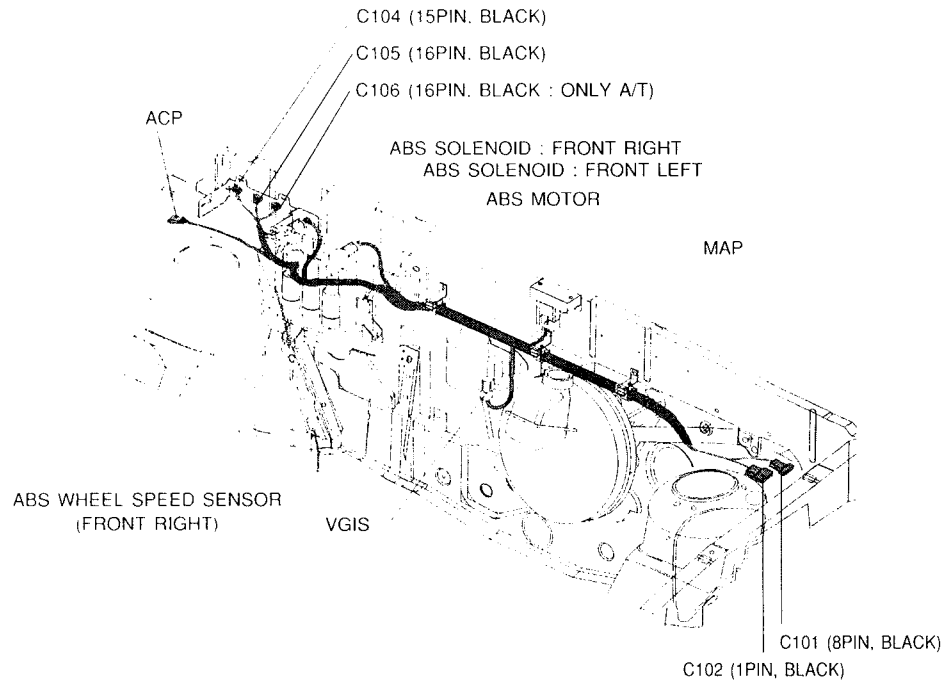
b. CONNECTOR IDENTIFICATION SYMBOL & PIN NUMBER POSITION



c. POSITION OF CONNECTORS AND GROUNDS

W/H ECM & ABS

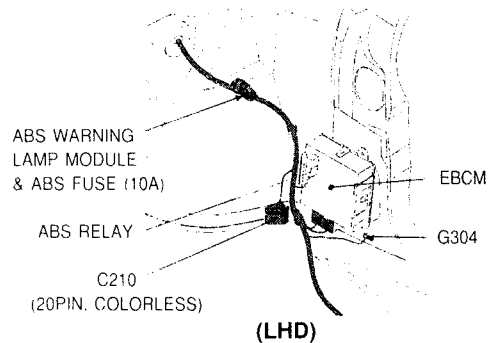
ENGINE ROOM INSIDE



W/H ECM & ABS

PASSENGER ROOM RIGHT SIDE PANEL

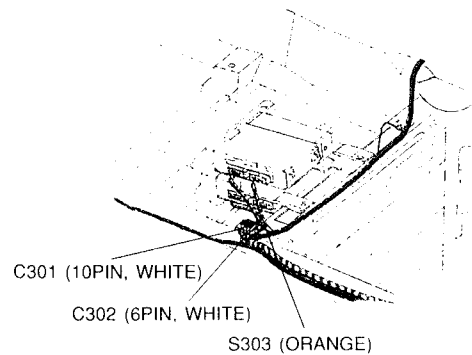
"A" LOCATION



W/H FLOOR

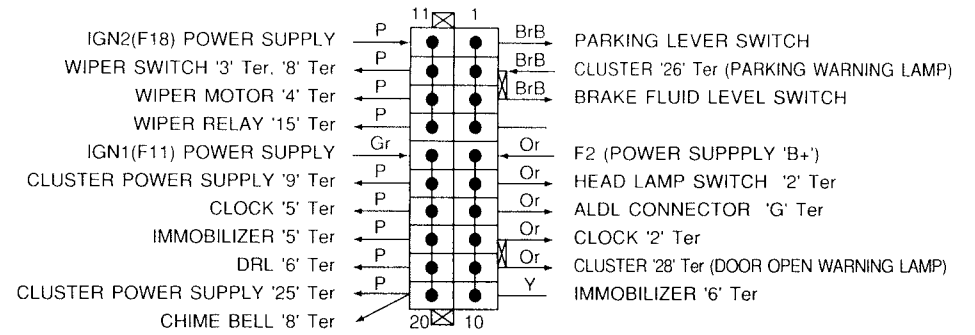
W/H ECM & ABS

FLOOR PANEL

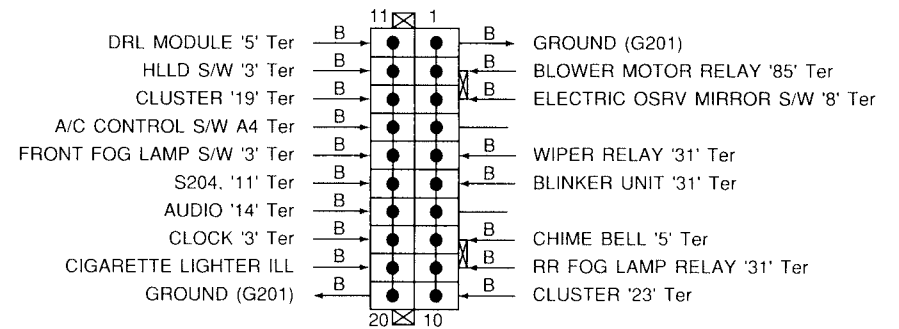


d. SPLICE PACK

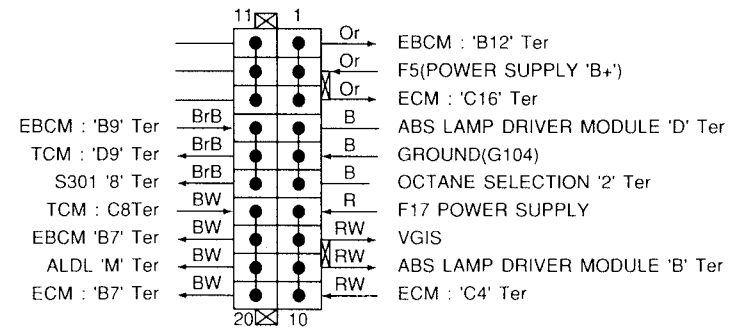
S201(BLUE)



S203(RED)

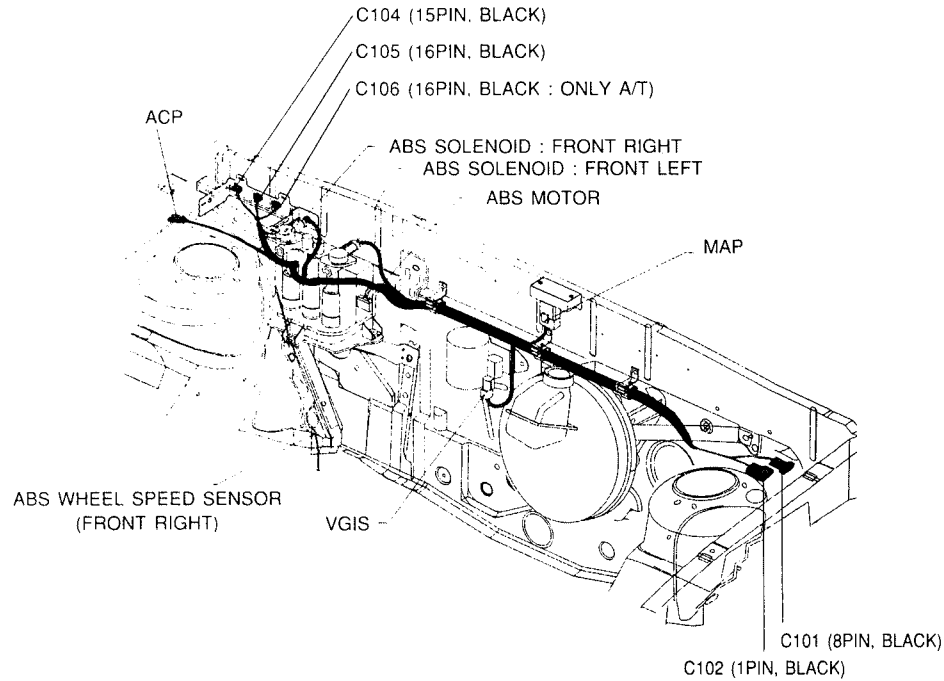


S303(GRAY)



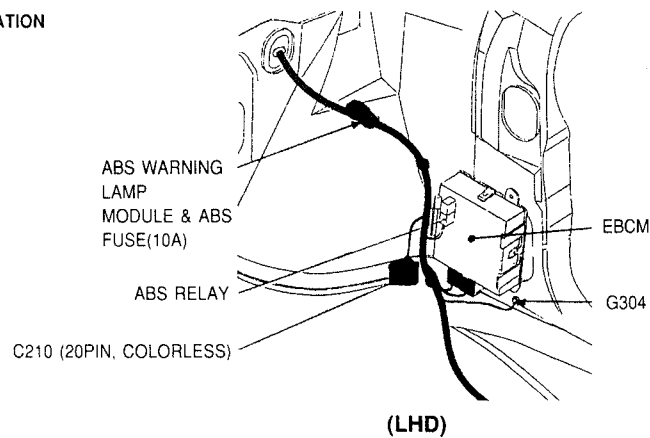
c. POSITION OF CONNECTORS AND GROUNDS

- W/H ECM & ABS
- ENGINE ROOM INSIDE



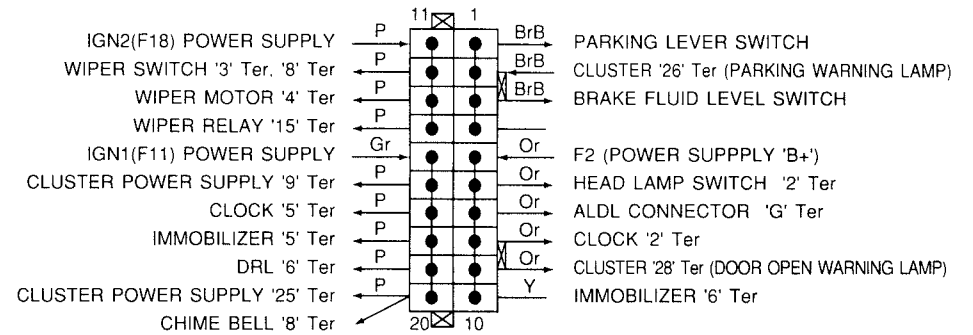
- W/H ECM & ABS

- "A" LOCATION

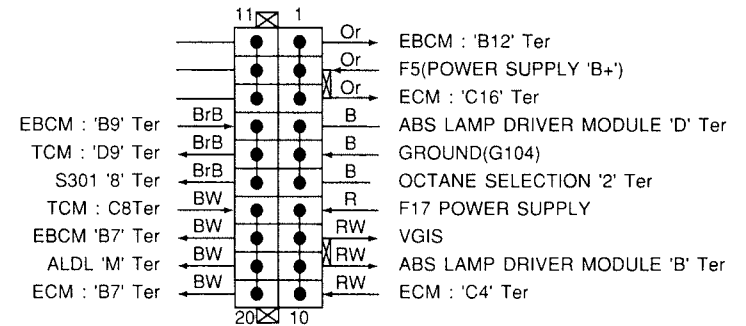


d. SPLICE PACK

S201(BLUE)

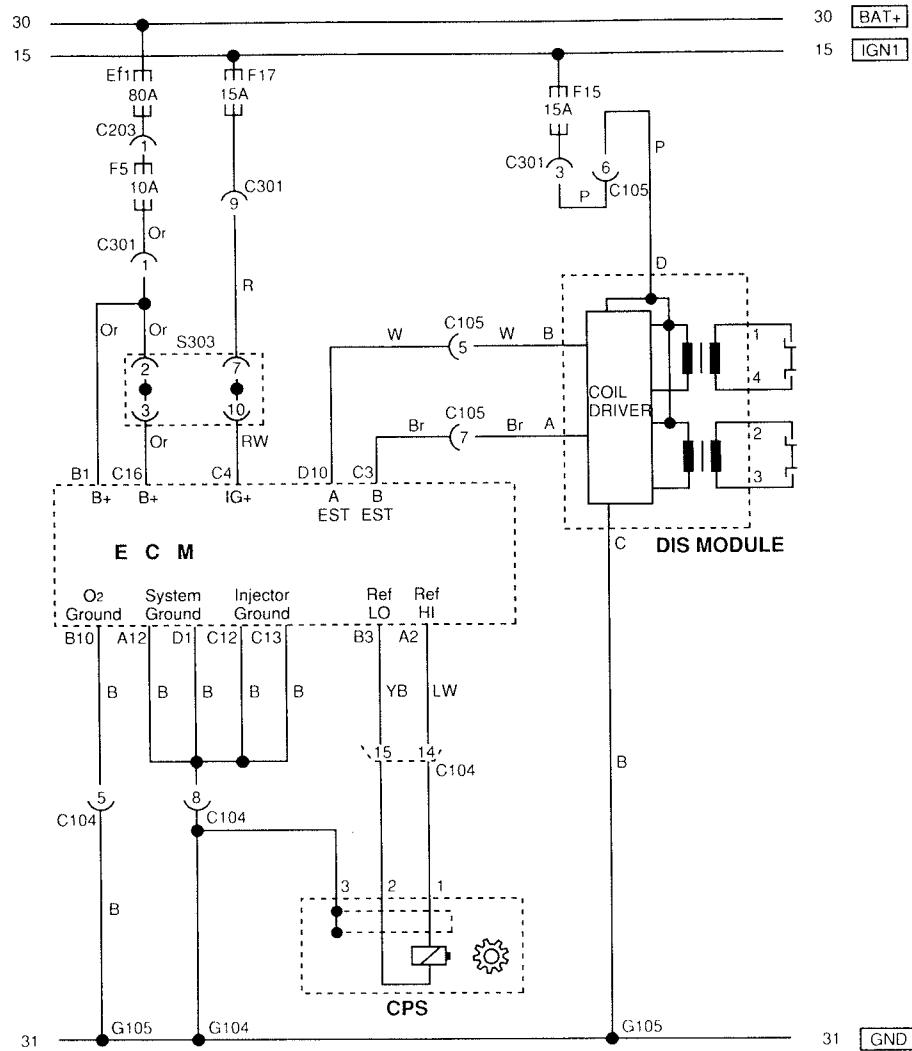


S303(GRAY)



2-1. ECM(ELECTRONIC CONTROL MODULE)

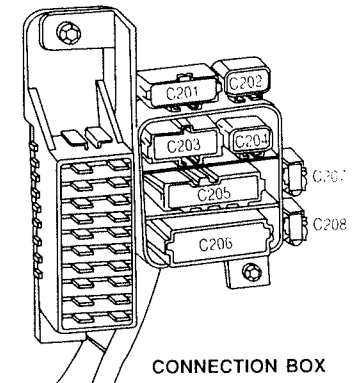
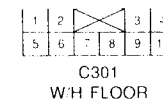
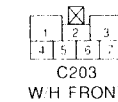
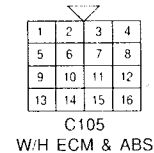
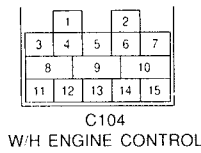
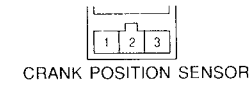
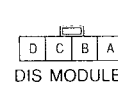
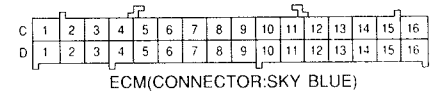
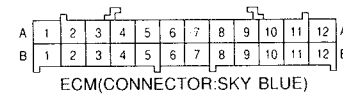
1) BATTERY POWER SUPPLY & GROUND. DIS. CPS. CIRCUIT - TWO QDM



a. CONNECTOR INFORMATION

CONNECTOR(NO) (PIN NO. COLOR)	CONNECTING. WIRING HARNESS	CONNECTOR POSITION
C104(15PIN. BLACK)	W/H ECM & ABS - Engine Control	Behind Right Strut Mounting
C105(16PIN. BLACK)	W/H ECM & ABS - Engine Control	Behind Right Strut Mounting
C203(7PIN. BROWN)	W/H Front - Floor	Connection Box Next to Passenger Room Fuse Box
C301(10PIN. WHITE)	W/H ECM & ABS - Floor	Below Co-Driver Seat
S303(20PIN. GRAY)	Splice Pack	Below Co-Driver Seat
G104	Ground	Intake Manifold #4' Cylinder.
G105	Ground	Above Flywheel Mounting

b. CONNECTOR IDENTIFICATION SYMBOL & PIN NUMBER POSITION

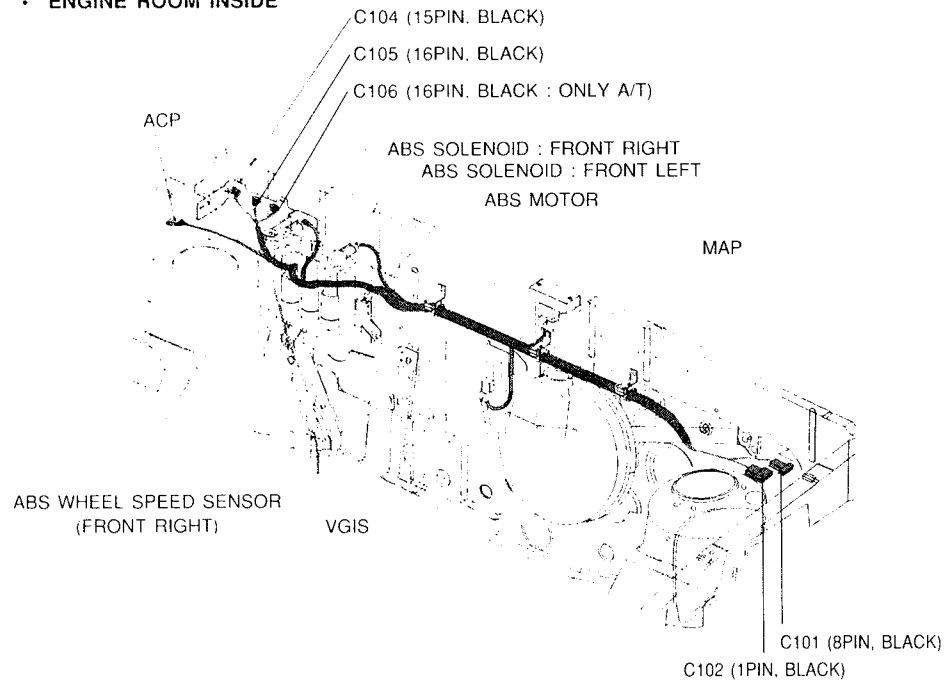


CONNECTION BOX

c. POSITION OF CONNECTORS AND GROUNDS

W/H ECM & ABS

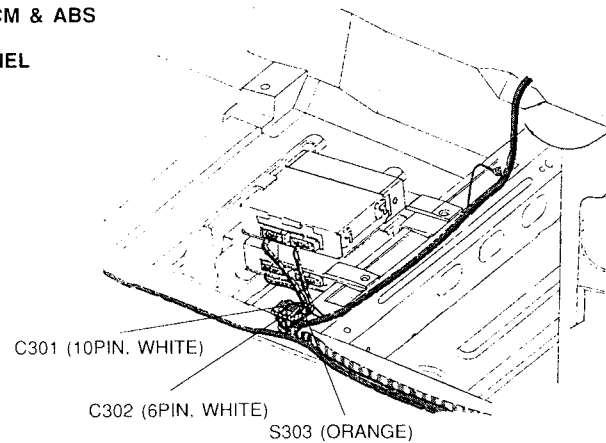
ENGINE ROOM INSIDE



W/H FLOOR

W/H ECM & ABS

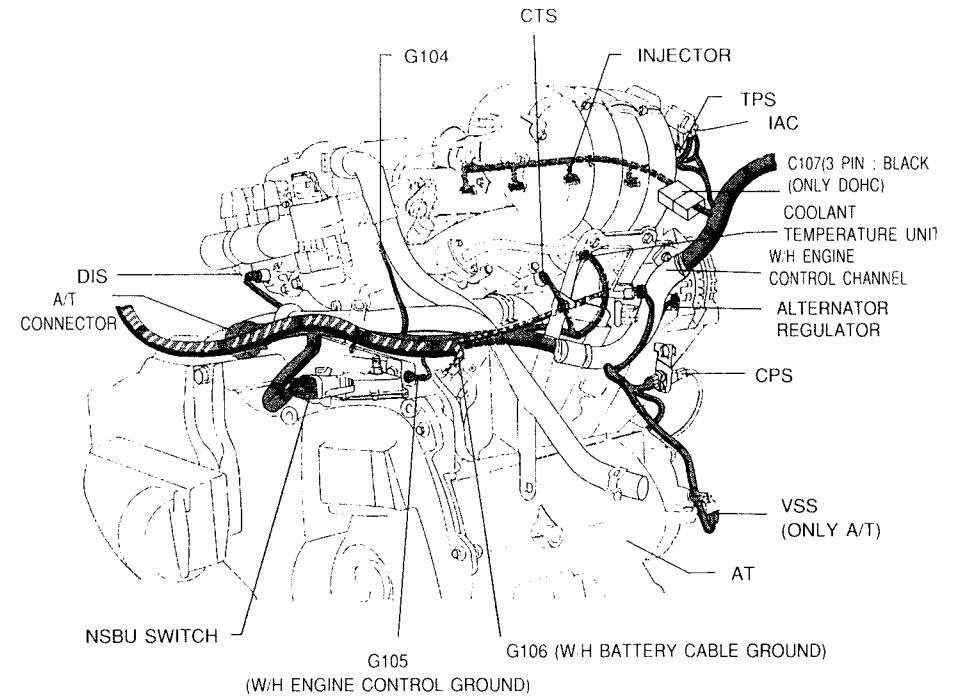
FLOOR PANEL



W/H BATTERY

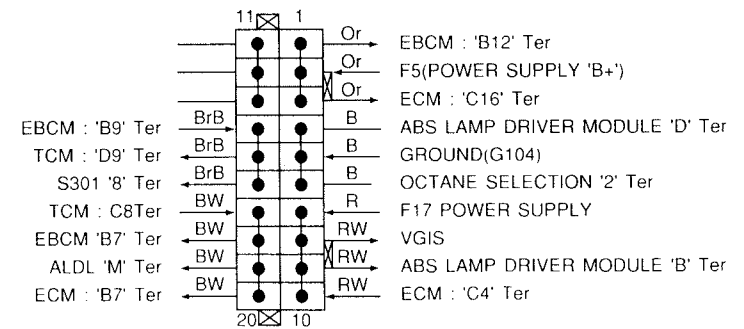
W/H ENGINE CONTROL

DOHC ENGINE

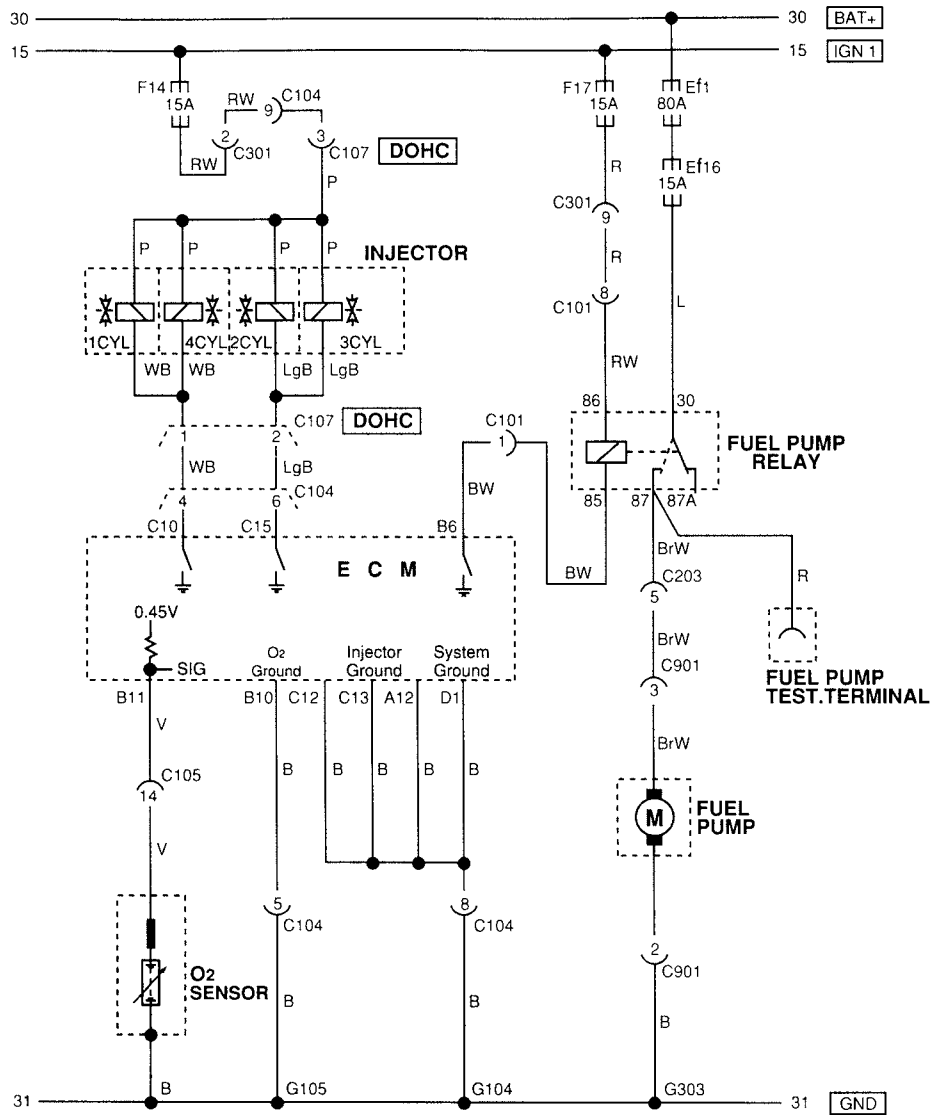


d. SPLICE PACK

S303(GRAY)



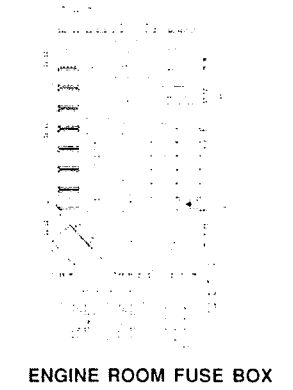
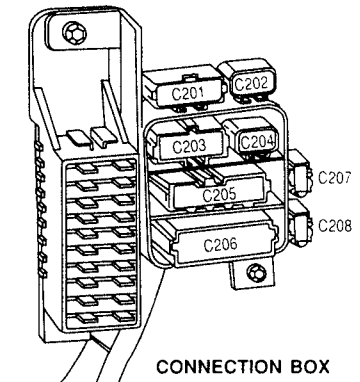
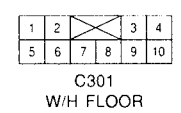
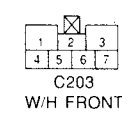
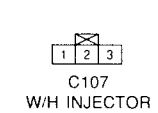
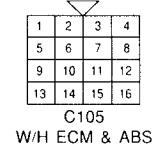
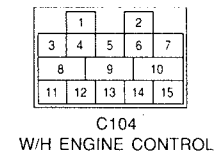
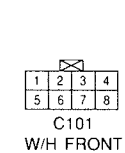
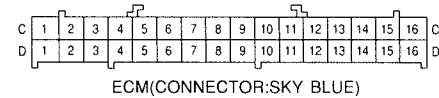
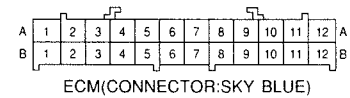
2) FUEL PUMP, INJECTOR, O2 SENSOR CIRCUIT (UNLEADED) - TWO QDM (SOHC, DOHC)



a. CONNECTOR INFORMATION

CONNECTOR(NO) (PIN NO. COLOR)	CONNECTING. WIRING HARNESS	CONNECTOR POSITION
C101(8PIN, BLACK)	W/H ECM & ABS - Front	Below Engine Coolant Surge Tank
C104(15PIN, BLACK)	W/H ECM & ABS - Engine Control	Behind Right Strut Mounting
C105(16PIN, BLACK)	W/H ECM & ABS - Engine Control	Behind Right Strut Mounting
C107(3PIN, BLACK)	W/H Engine Control - Injector(DOHC)	Below Throttle Valve Body
C203(7PIN, BROWN)	W/H Front - Floor	Connection Box Next To Passenger Room Fuse Box
C301(10PIN, WHITE)	W/H ECM & ABS - Floor	Below Co-Driver Sea
C901(6PIN, BLACK)	W/H Floor - Fuel Tank	Behind Fuel Tank
G104	Ground	Intake Manifold '#4' Cylinder
G105	Ground	Above Flywheel Housing
G303	Ground	Below Co-Driver Seat

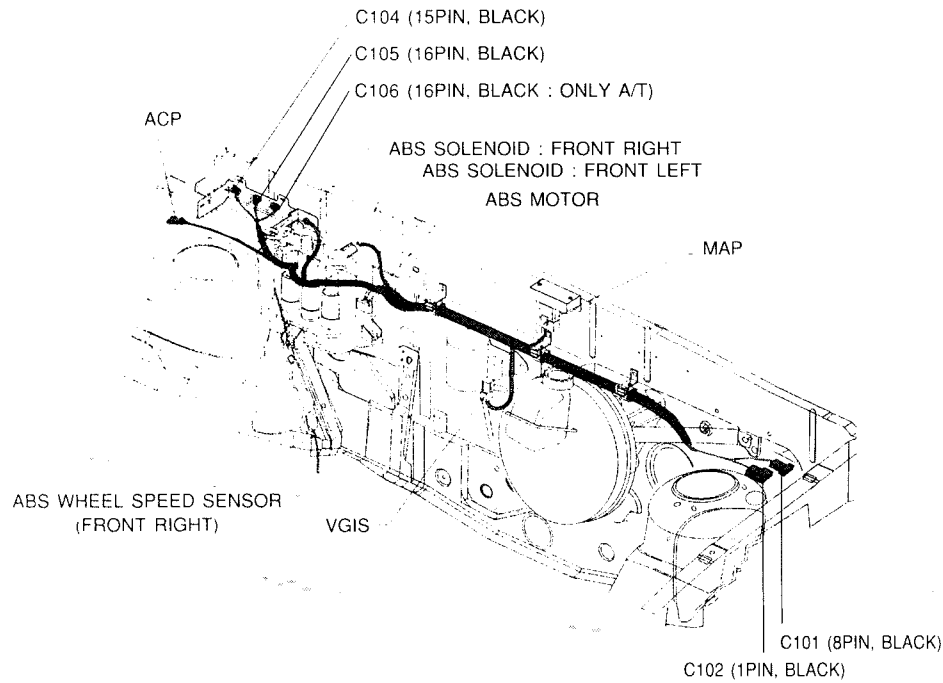
b. CONNECTOR IDENTIFICATION SYMBOL & PIN NUMBER POSITION



c. POSITION OF CONNECTORS AND GROUNDS

W/H ECM & ABS

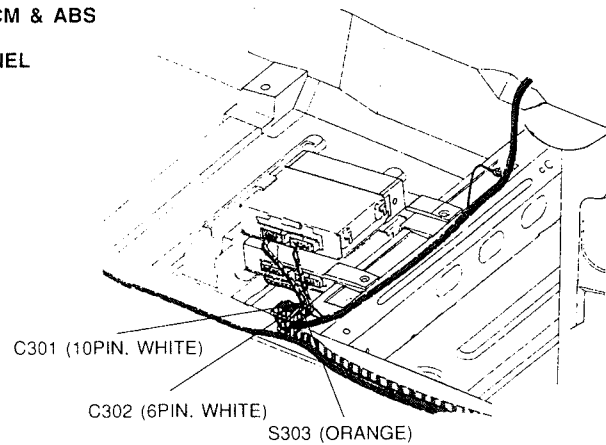
• ENGINE ROOM INSIDE



W/H FLOOR

W/H ECM & ABS

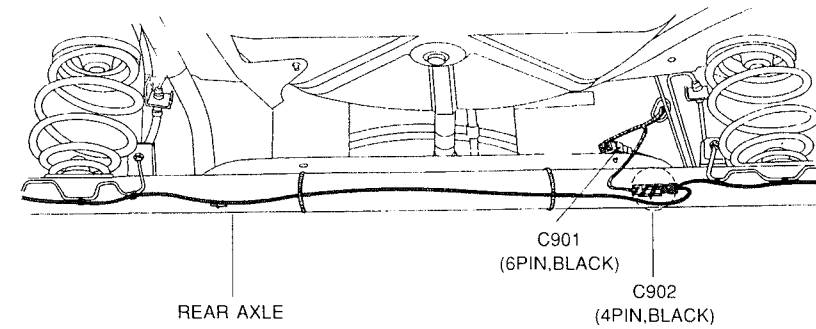
• FLOOR PANEL



W/H FLOOR

W/H REAR ABS SENSOR

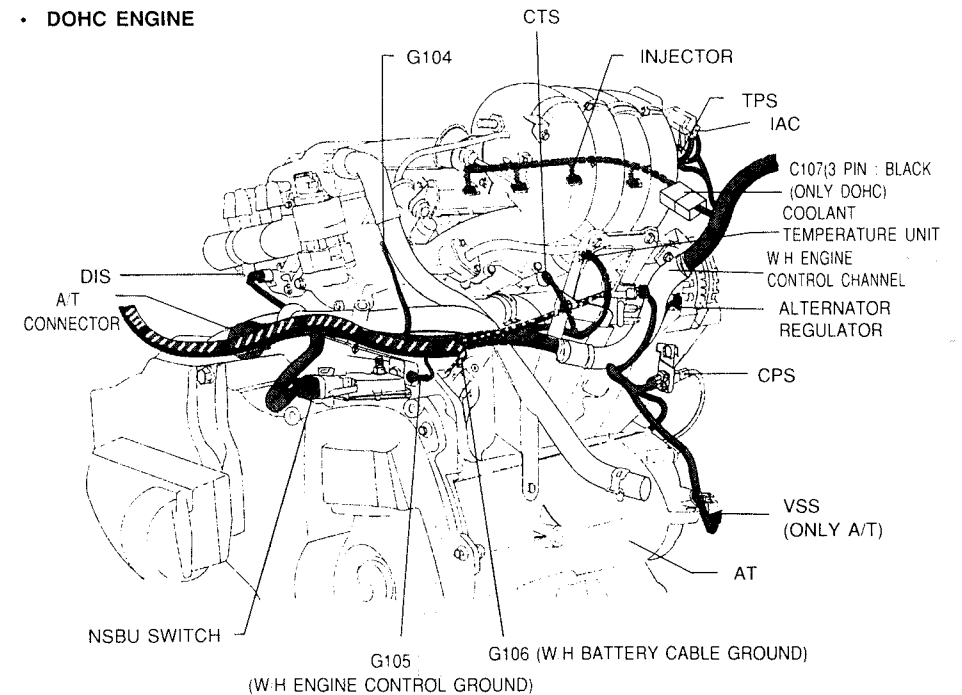
• UNDER BODY



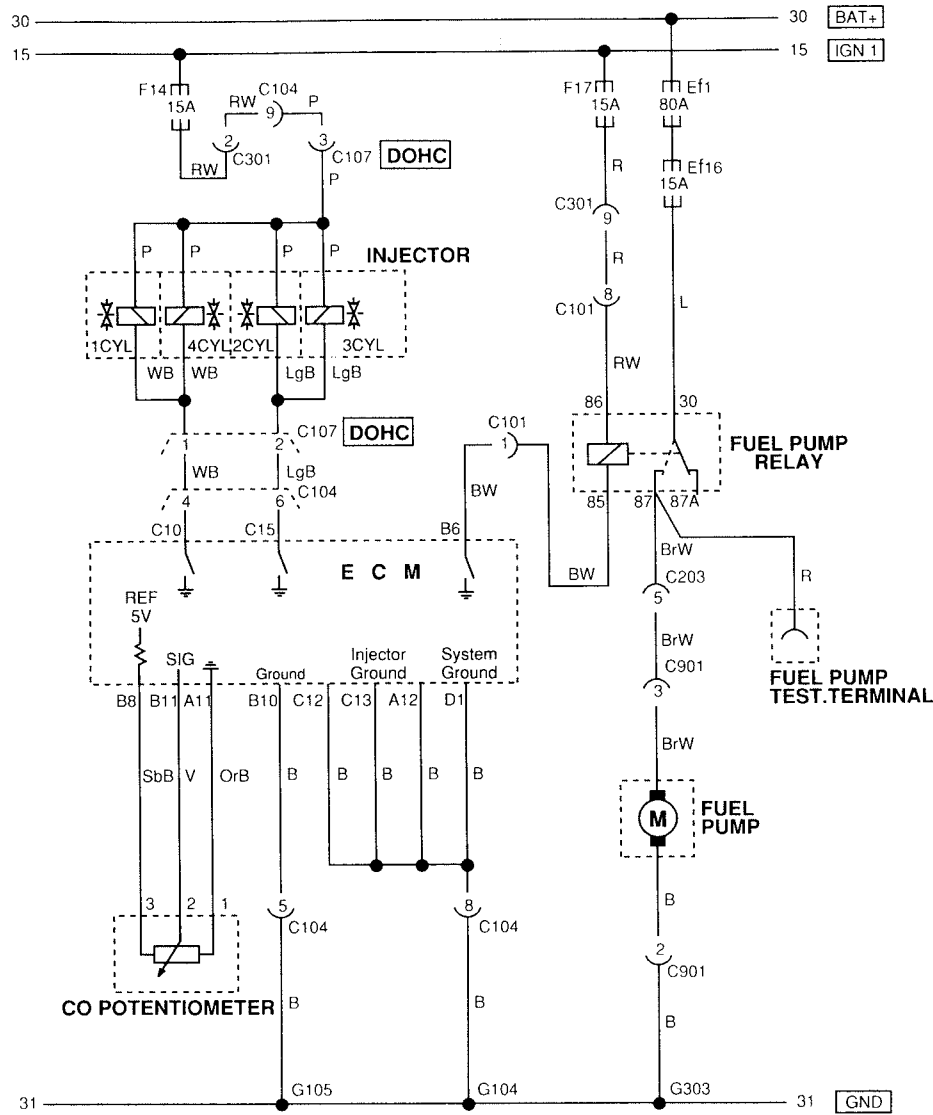
W/H BATTERY

W/H ENGINE CONTROL

• DOHC ENGINE



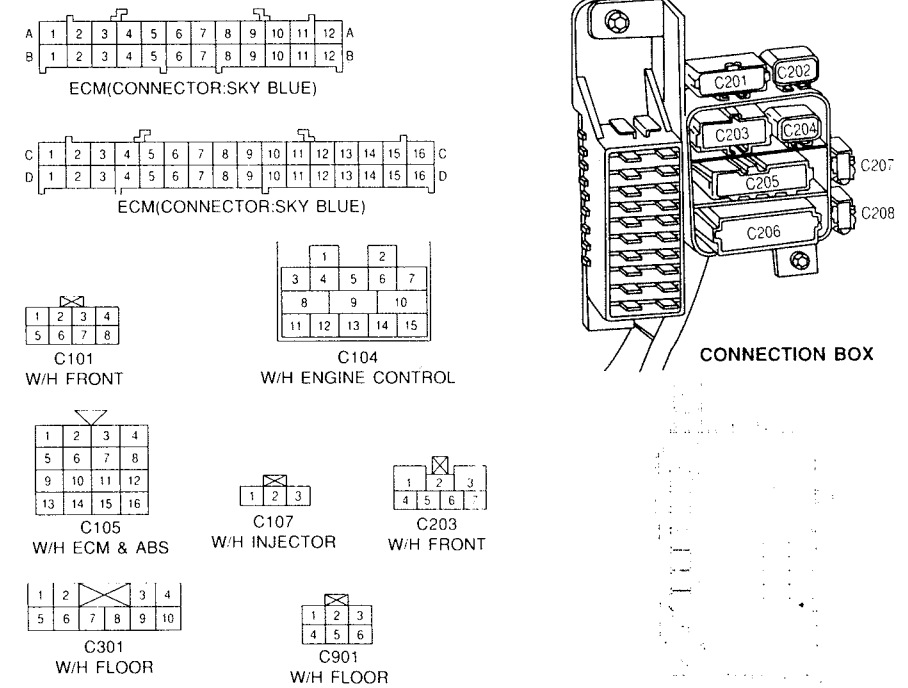
2-1) FUEL PUMP, INJECTOR, CO POTENTIO METER CIRCUIT (LEADED) - TWO QDM (SOHC, DOHC)



a. CONNECTOR INFORMATION

CONNECTOR(NO) (PIN NO. COLOR)	CONNECTING. WIRING HARNESS	CONNECTOR POSITION
C101(8PIN, BLACK)	W/H ECM & ABS - Front	Below Engine Coolant Surge Tank
C104(15PIN, BLACK)	W/H ECM & ABS - Engine Control	Behind Right Strut Mounting
C105(16PIN, BLACK)	W/H ECM & ABS - Engine Control	Behind Right Strut Mounting
C107(3PIN, BLACK)	W/H Engine Control - Injector(DOHC)	Below Throttle Valve Body
C203(7PIN, BROWN)	W/H Front - Floor	Connection Box Next To Passenger Room Fuse Box
C301(10PIN, WHITE)	W/H ECM & ABS - Floor	Below Co-Driver Sea
C901(6PIN, BLACK)	W/H Floor - Fuel Tank	Behind Fuel Tank
G104	Ground	Intake Manifold '4' Cylinder
G105	Ground	Above Flywheel Housing
G303	Ground	Below Co-Driver Seat

b. CONNECTOR IDENTIFICATION SYMBOL & PIN NUMBER POSITION

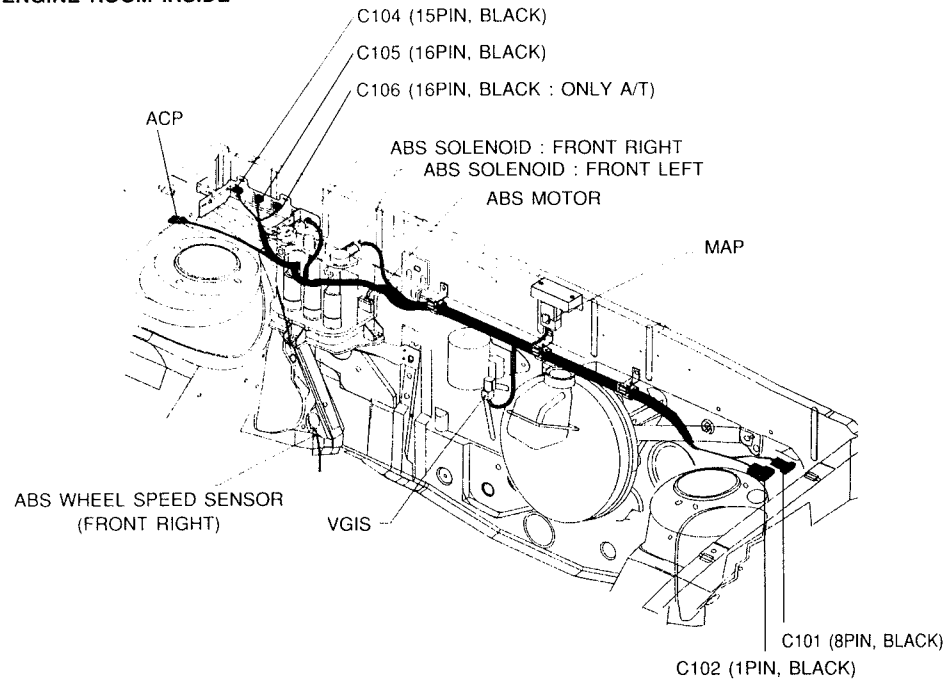


ENGINE ROOM FUSE BOX

c. POSITION OF CONNECTORS AND GROUNDS

■ W/H ECM & ABS

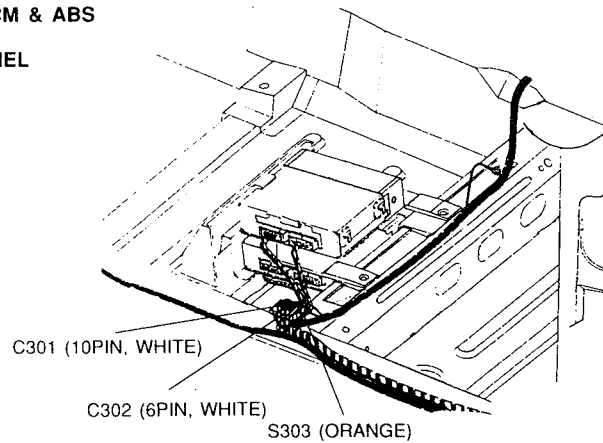
• ENGINE ROOM INSIDE



■ W/H FLOOR

■ W/H ECM & ABS

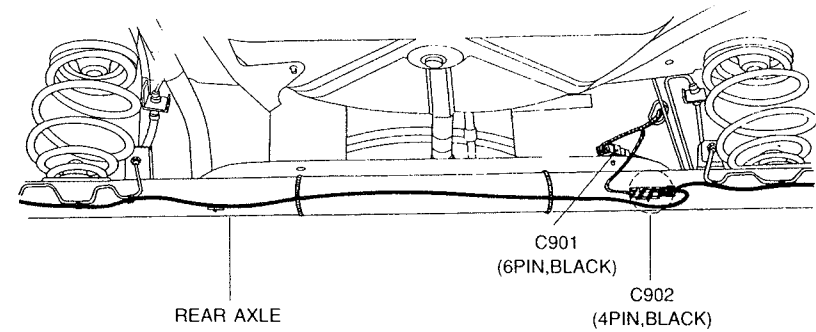
• FLOOR PANEL



■ W/H FLOOR

■ W/H REAR ABS SENSOR

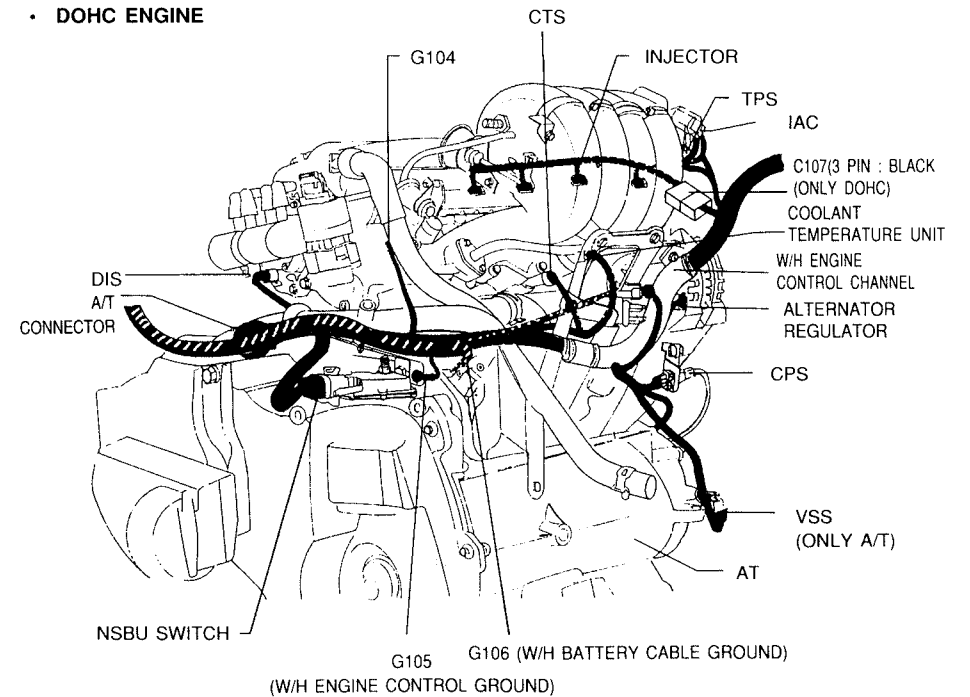
• UNDER BODY



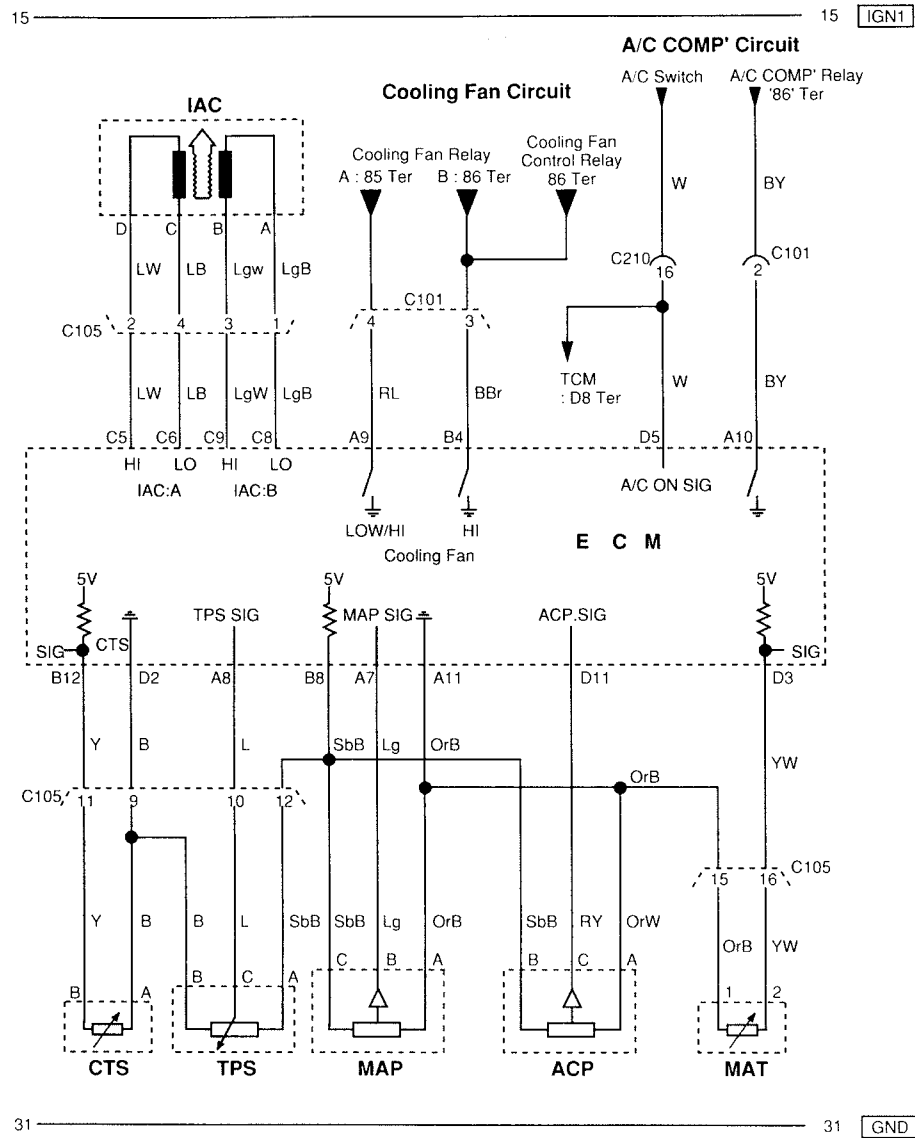
■ W/H BATTERY

■ W/H ENGINE CONTROL

• DOHC ENGINE



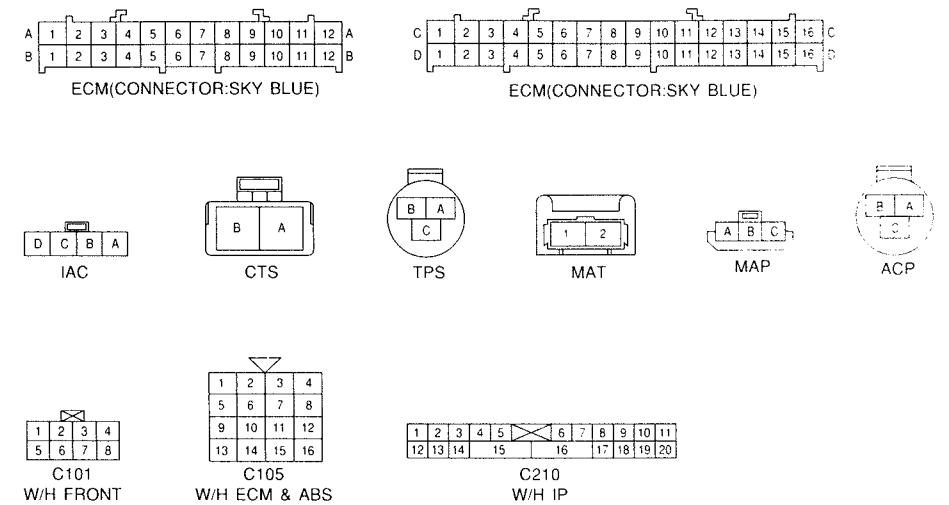
3) IAC. CTS. TPS. MAP. ACP. MAT. CIRCUIT - TWO QDM



a. CONNECTOR INFORMATION

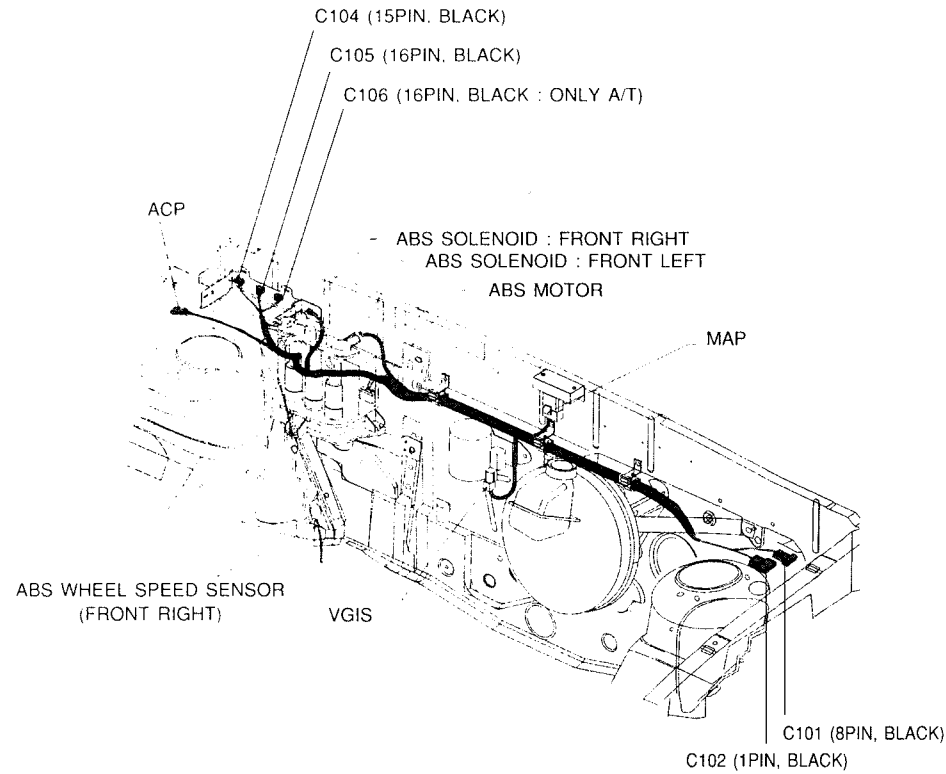
CONNECTOR(NO) (PIN NO. COLOR)	CONNECTING. WIRING HARNESS	CONNECTOR POSITION
C101(8PIN. BLACK)	W/H ECM & ABS - Front	Below Engine Coolant Surge Tank
C105(16PIN. BLACK)	W/H ECM & ABS - Engine Control	Behind Right Strut Mounting
C210(20PIN. COLORLESS)	W/H ECM & ABS - IP	Below Glove Box (Right Side Panel)

b. CONNECTOR IDENTIFICATION SYMBOL & PIN NUMBER POSITION



c. POSITION OF CONNECTORS AND GROUNDS

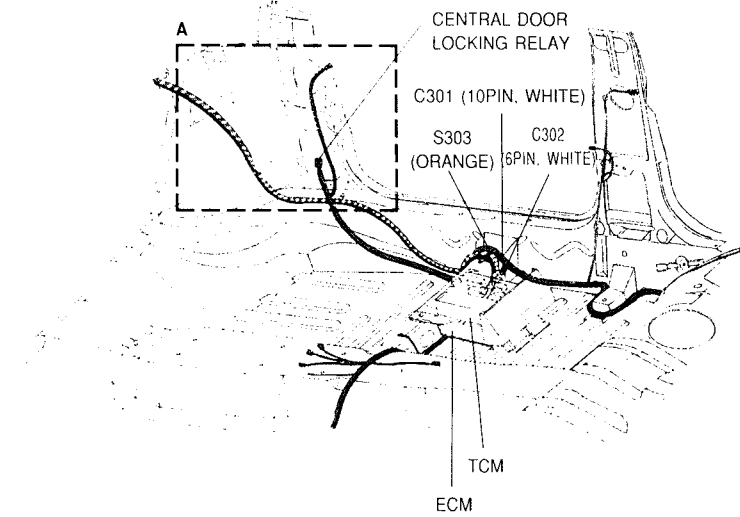
- W/H ECM & ABS
- ENGINE ROOM INSIDE



- W/H FLOOR
- W/H ECM & ABS

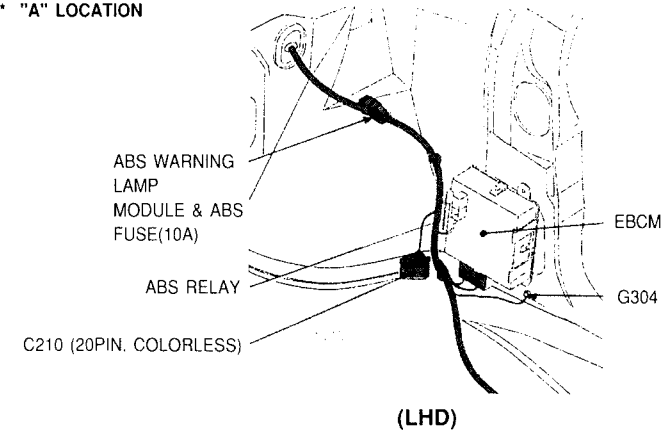
- PASSENGER ROOM RIGHT SIDE PANEL

← FRONT



- W/H ECM & ABS

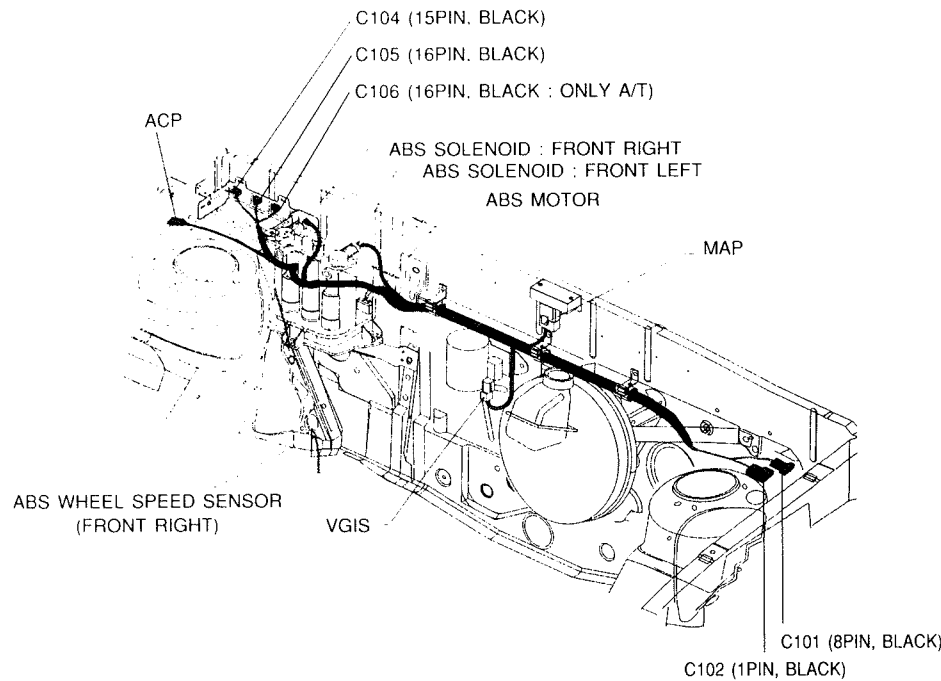
- "A" LOCATION



c. POSITION OF CONNECTORS AND GROUNDS

W/H ECM & ABS

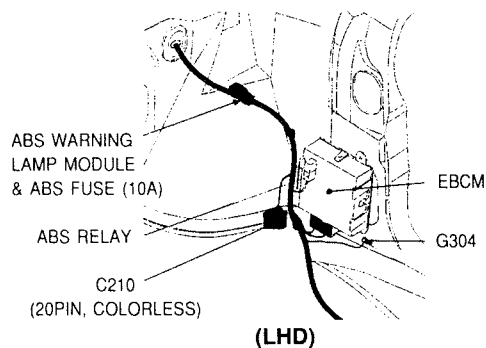
ENGINE ROOM INSIDE



W/H ECM & ABS

PASSENGER ROOM RIGHT SIDE PANEL

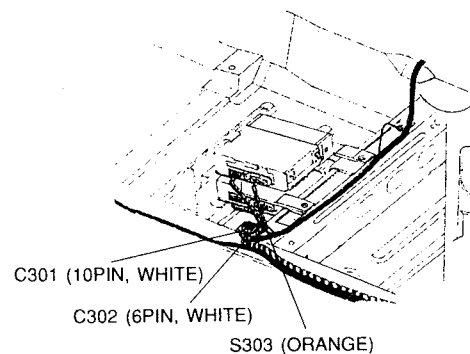
"A" LOCATION



W/H FLOOR

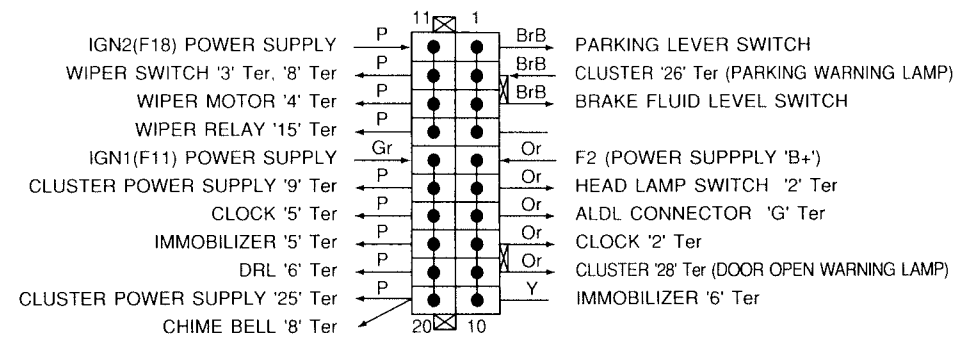
W/H ECM & ABS

FLOOR PANEL

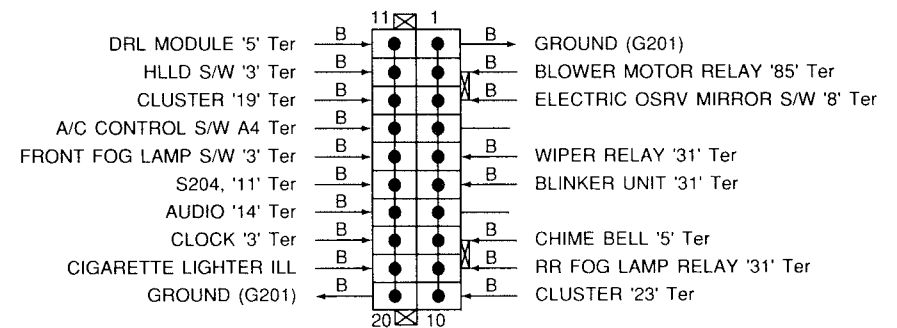


d. SPLICE PACK

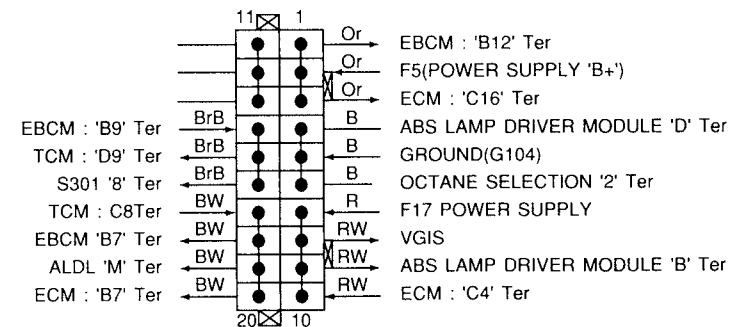
S201(BLUE)



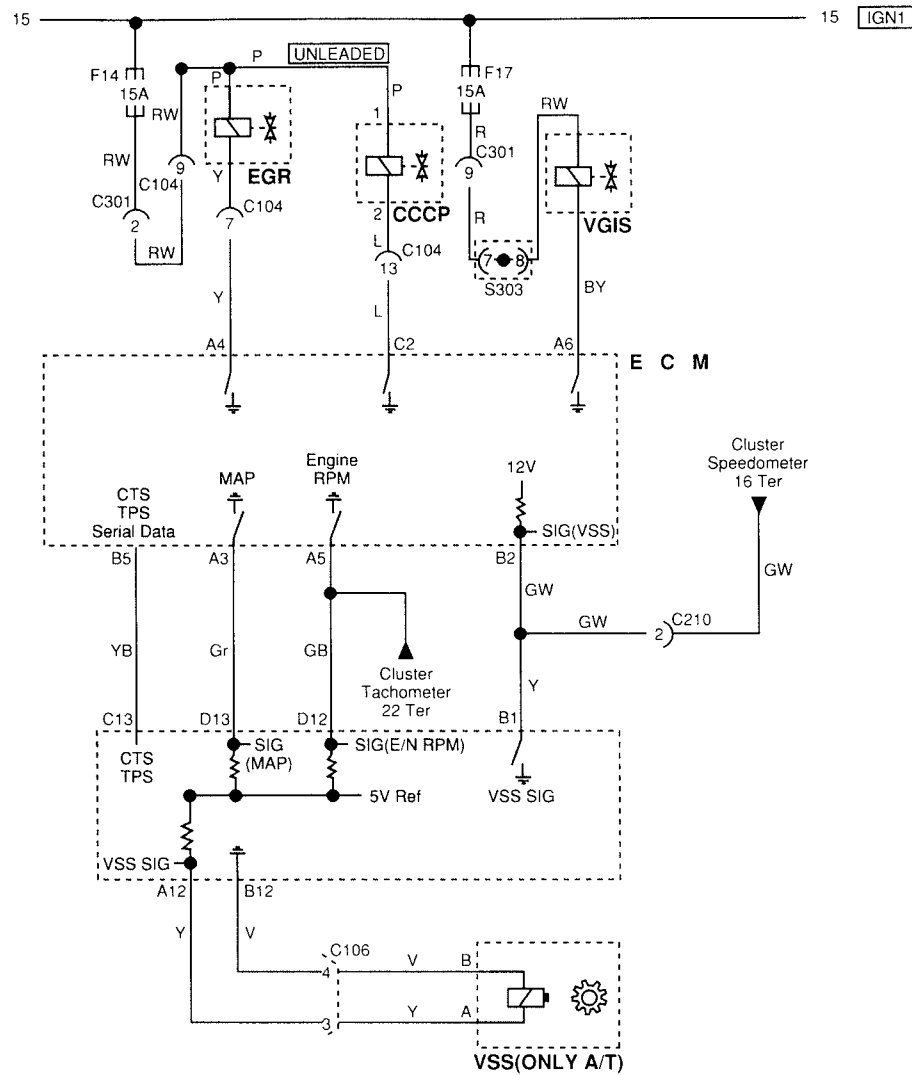
S203(RED)



S303(GRAY)



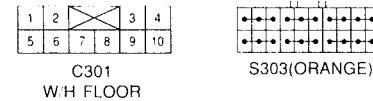
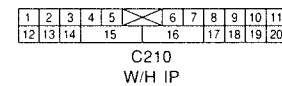
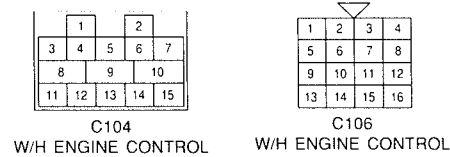
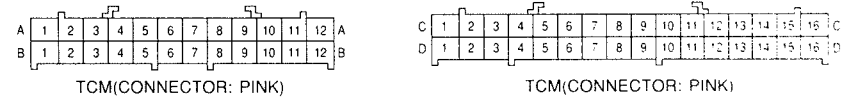
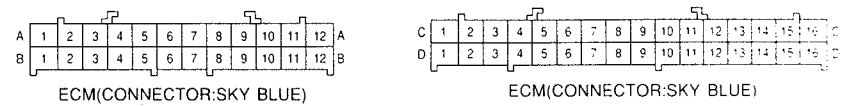
5) EGR, CCCP, VGIS, VSS, CIRCUIT (ONLY A/T) - TWO QDM



a. CONNECTOR INFORMATION

CONNECTOR(NO) (PIN NO. COLOR)	CONNECTING. WIRING HARNESS	CONNECTOR POSITION
C104 (15PIN, BLACK)	W/H ECM & ABS - Engine Control	Behind Right Strut Mounting
C106 (16PIN, BLACK)	W/H ECM & ABS - Engine Control	Behind Right Strut Mounting
C210 (20PIN, COLORLESS)	W/H ECM & ABS - IP	Below Glove Box(Right Side Panel)
C301 (10PIN, WHITE)	W/H ECM & ABS -Floor	Below Co-Driver Seat
S303 (20PIN, GRAY)	Splice Pack	Below Co-Driver Seat

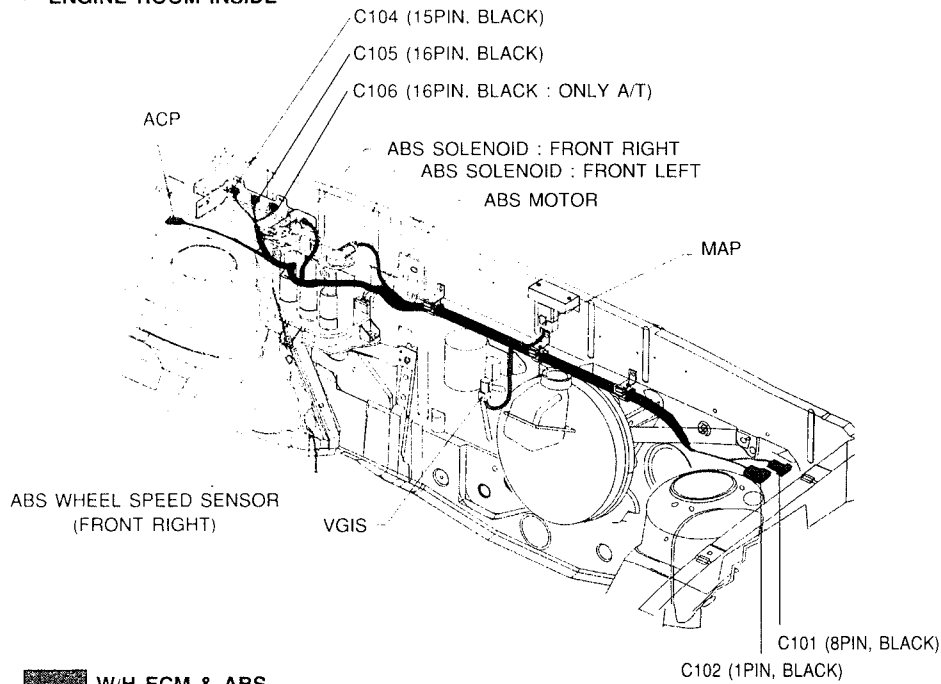
b. CONNECTOR IDENTIFICATION SYMBOL & PIN NUMBER POSITION



c. POSITION OF CONNECTORS AND GROUNDS

■ W/H ECM & ABS

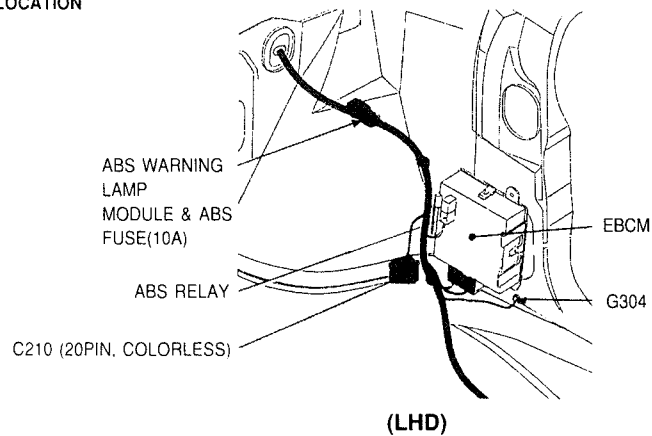
• ENGINE ROOM INSIDE



■ W/H ECM & ABS

• PASSENGER ROOM RIGHT SIDE PANEL

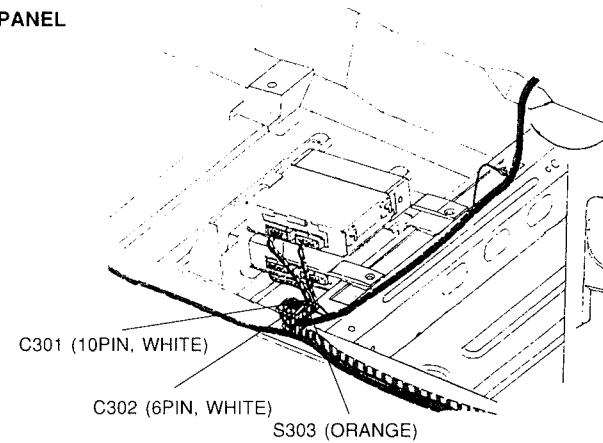
• "A" LOCATION



■ W/H FLOOR

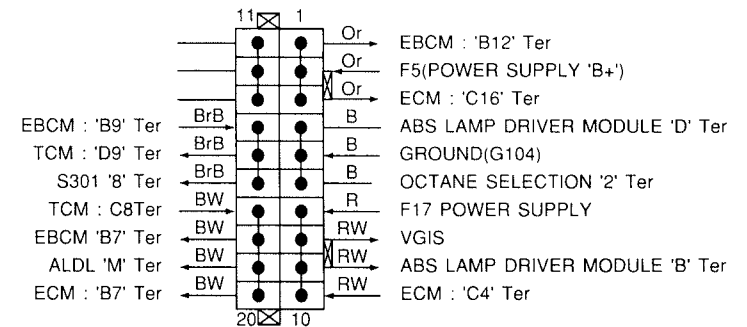
■ W/H ECM & ABS

• FLOOR PANEL

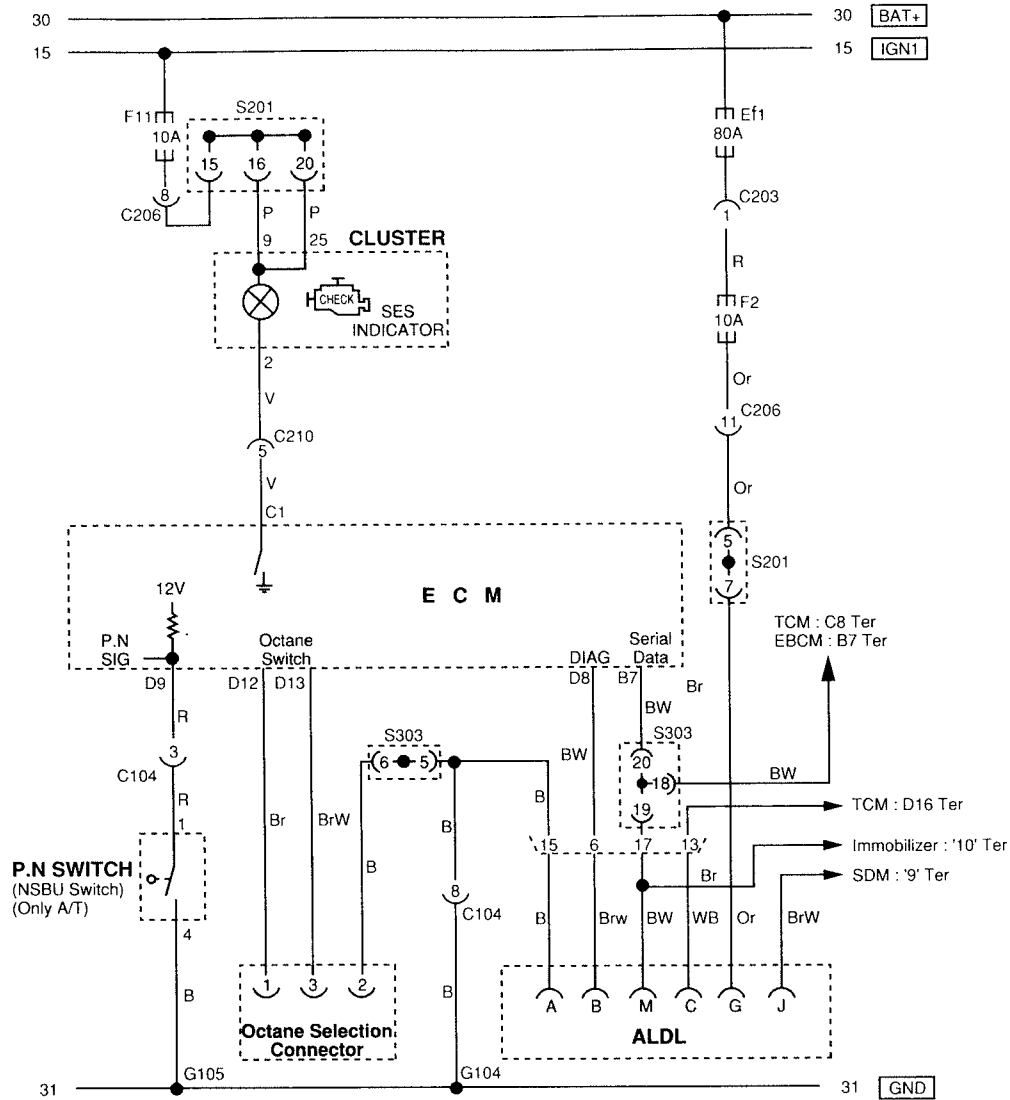


d. SPLICE PACK

S303(GRAY)



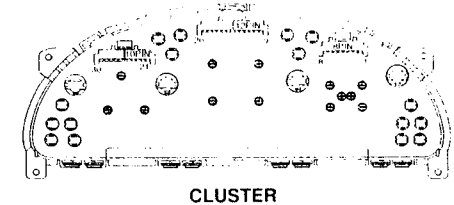
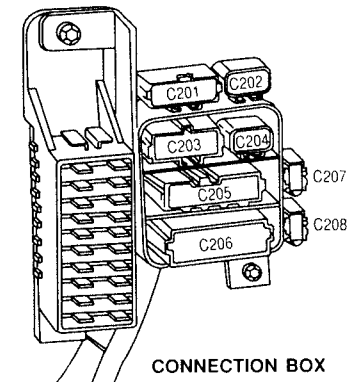
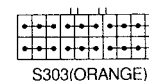
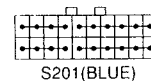
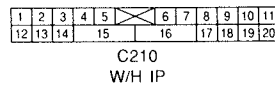
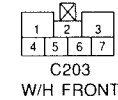
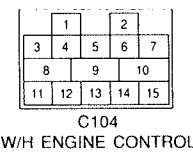
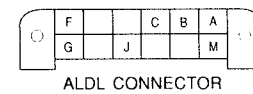
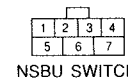
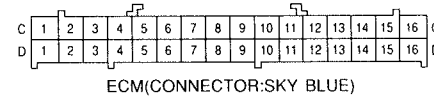
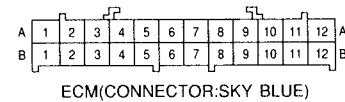
6) SES. P/N. SWITCH. ALDL CONNECTOR CIRCUIT - TWO QDM



a. CONNECTOR INFORMATION

CONNECTOR(NO) (PIN NO. COLOR)	CONNECTING. WIRING HARNESS	CONNECTOR POSITION
C104(15PIN. BLACK)	W/H ECM & ABS -Engine Control	Behind Right Strut Mousing
C203(7PIN. BROWN)	W/H Front - Floor	Connection Box Next to Passenger Room Fuse Box
C206(20PIN. COLORLESS)	W/H Floor - IP	Connection Box Next to Passenger Room Fuse Box
C210(20PIN. COLORLESS)	W/H ECM & ABS - IP	Below Glove Box(Right Side Panel)
S201(20PIN. BLUE)	Splice Pack	Next to Passenger Room Realy Box
S303(20PIN. GRAY)	Splice Pack	Below Co-Driver Seat
G104	Ground	Intake Manifold '#4' Cylinder
G105	Ground	Above Flywheel Mousing

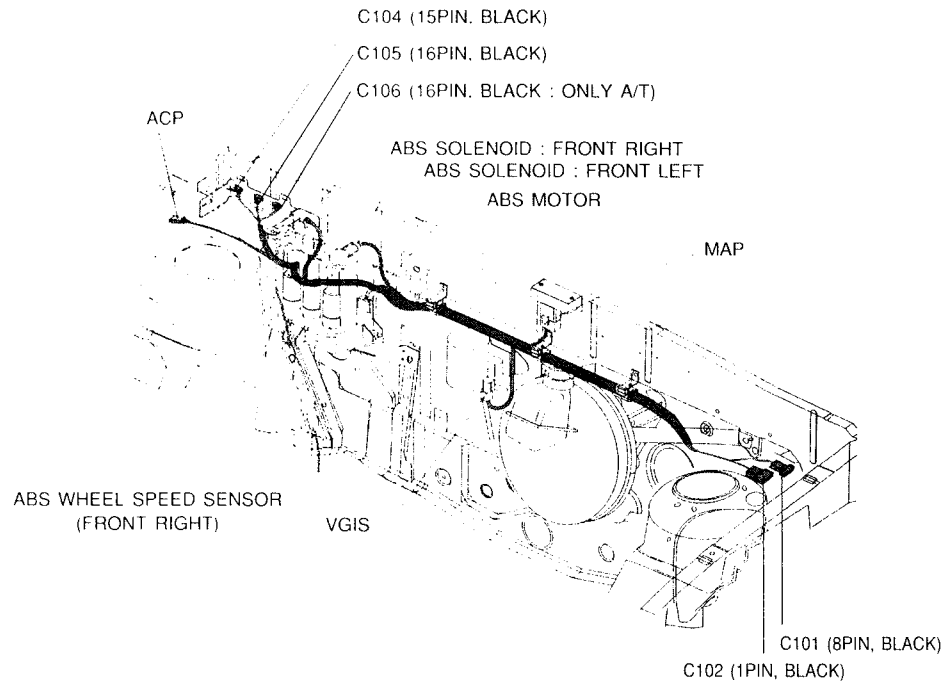
b. CONNECTOR IDENTIFICATION SYMBOL & PIN NUMBER POSITION



c. POSITION OF CONNECTORS AND GROUNDS

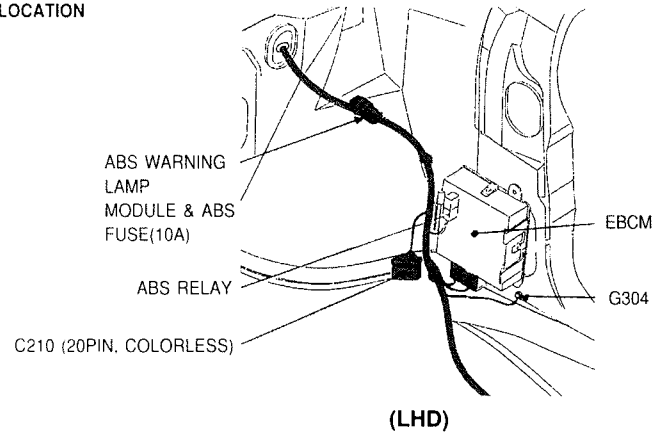
W/H ECM & ABS

• ENGINE ROOM INSIDE



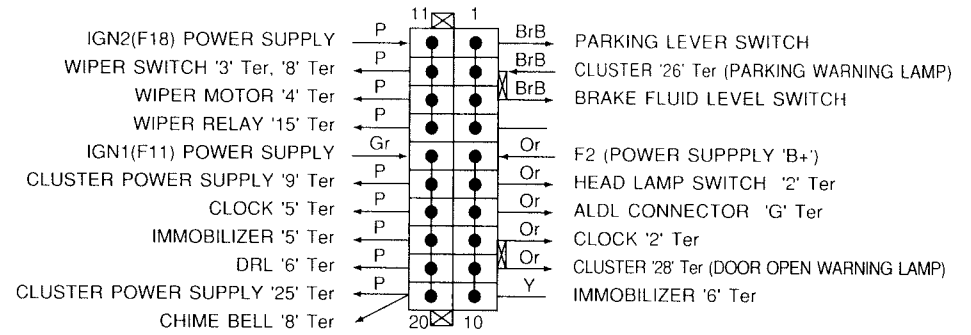
W/H ECM & ABS

• "A" LOCATION

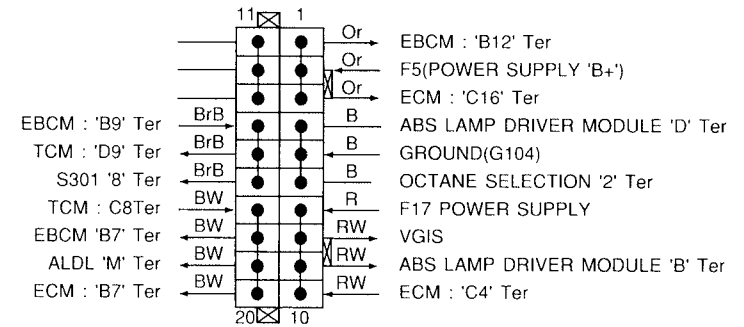


d. SPLICE PACK

S201(BLUE)

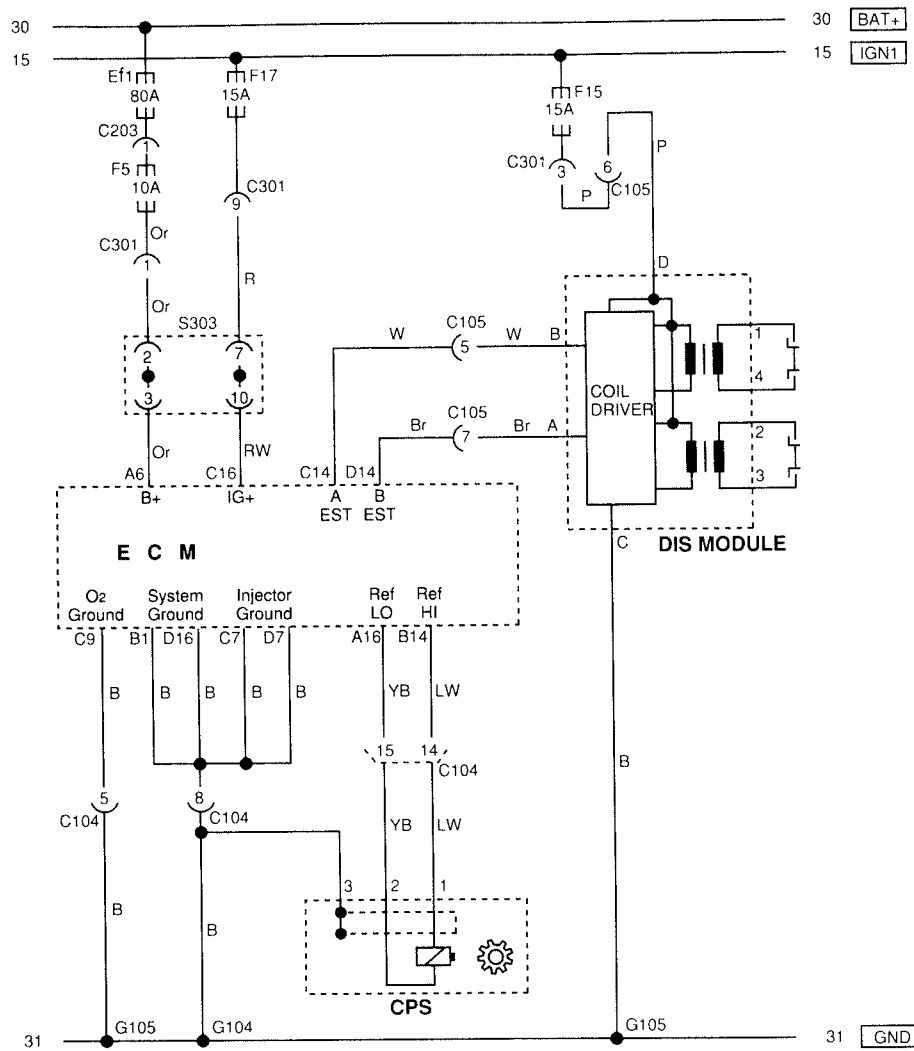


S303(GRAY)



2-2. ECM (ELECTRONIC CONTROL MODULE)

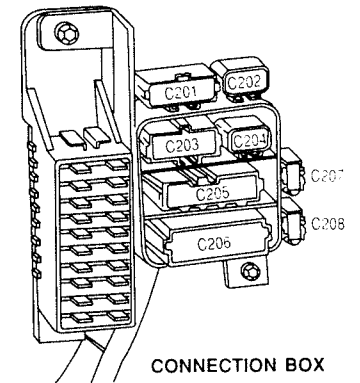
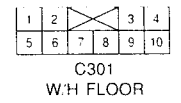
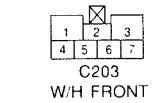
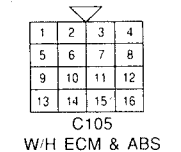
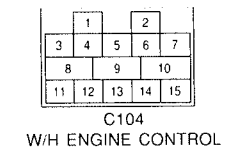
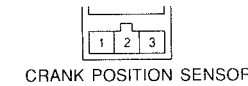
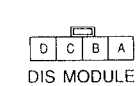
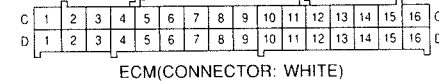
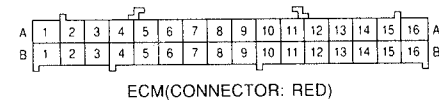
1) BATTERY POWER SUPPLY & GROUND. DIS. CPS. CIRCUIT - ITMS - 6F



a. CONNECTOR INFORMATION

CONNECTOR(NO) (PIN NO. COLOR)	CONNECTING. WIRING HARNESS	CONNECTOR POSITION
C104(15PIN. BLACK)	W/H ECM & ABS - Engine Control	Behind Right Strut Mounting
C105(16PIN. BLACK)	W/H ECM & ABS - Engine Control	Behind Right Strut Mounting
C203(7PIN. BROWN)	W/H Front - Floor	Connection Box Next to Passenger Room Fuse Box
C301(10PIN. WHITE)	W/H ECM & ABS - Floor	Below Co-Driver Seat
S303(20PIN. GRAY)	Splice Pack	Below Co-Driver Seat
G104	Ground	Intake Manifold '#4' Cylinder.
G105	Ground	Above Flywheel Housing

b. CONNECTOR IDENTIFICATION SYMBOL & PIN NUMBER POSITION

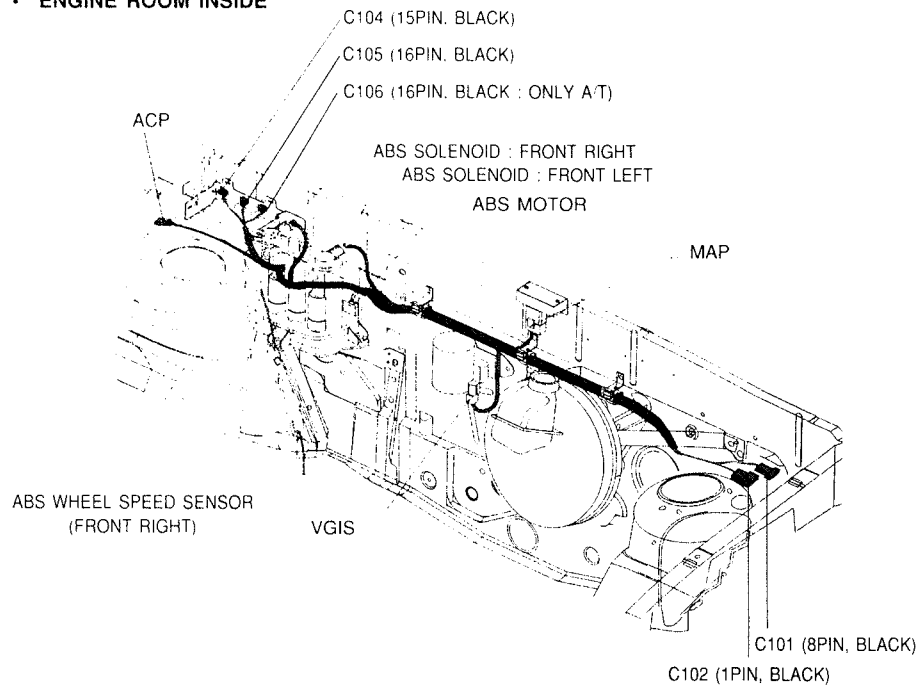


CONNECTION BOX

c. POSITION OF CONNECTORS AND GROUNDS

W/H ECM & ABS

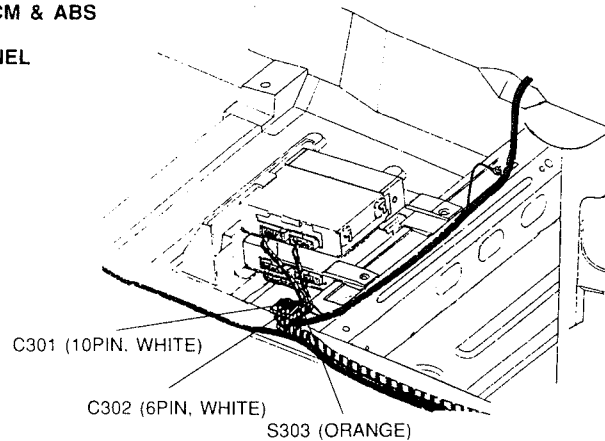
ENGINE ROOM INSIDE



W/H FLOOR

W/H ECM & ABS

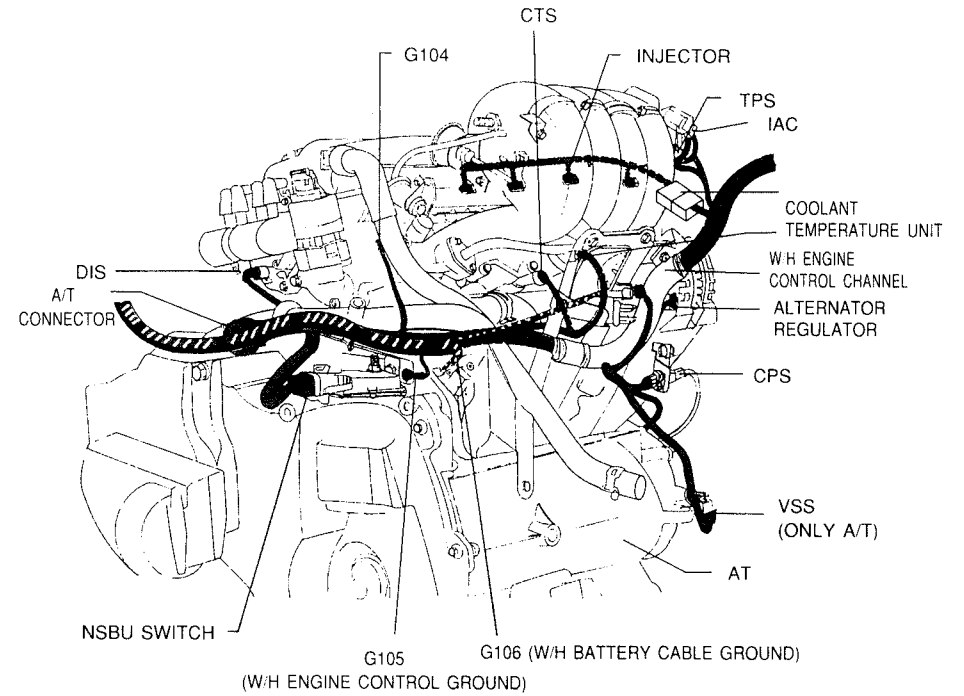
FLOOR PANEL



W/H BATTERY

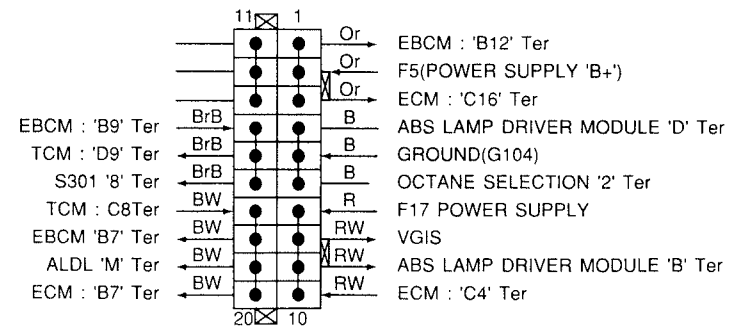
W/H ENGINE CONTROL

DOHC ENGINE

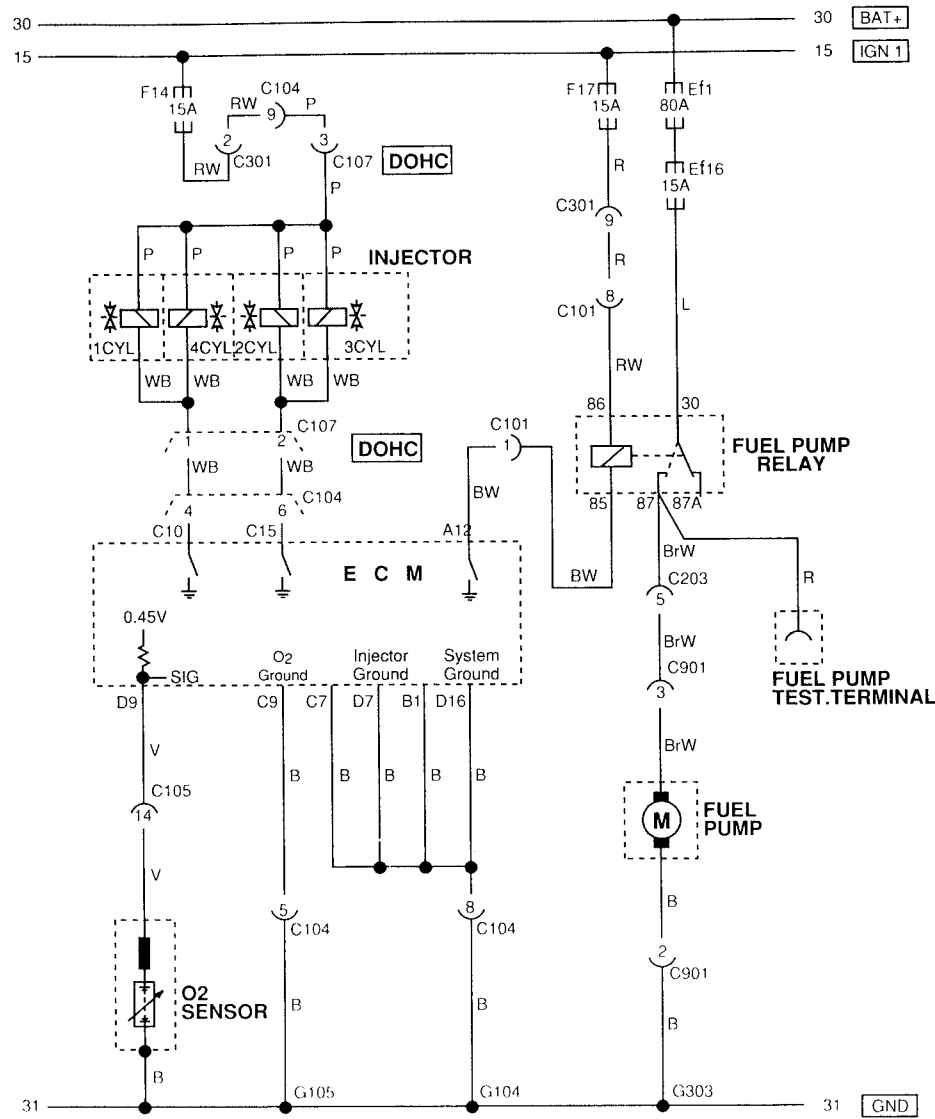


d. SPLICE PACK

S303(GRAY)



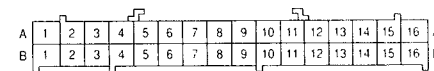
2) FUEL PUMP. INJECTOR. O2 SENSOR CIRCUIT (UNLEADED) - ITMS - 6F (SOHC, DOHC)



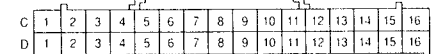
a. CONNECTOR INFORMATION

CONNECTOR(NO) (PIN NO. COLOR)	CONNECTING. WIRING HARNESS	CONNECTOR POSITION
C101(8PIN, BLACK)	W/H ECM & ABS - Front	Below Engine Coolant Surge Tank
C104(15PIN, BLACK)	W/H ECM & ABS - Engine Control	Behind Right Strut Mounting
C105(16PIN, BLACK)	W/H ECM & ABS - Engine Control	Behind Right Strut Mounting
C107(3PIN, BLACK)	W/H Engine Control - Injector(Only DOHC)	Below Throttle Valve Body
C203(7PIN, BROWN)	W/H Front - Floor	Connection Box Next to Passenger Room Fuse Box
C301(10PIN, WHITE)	W/H ECM & ABS - Floor	Below Co-Driver Seat
C901(6PIN, BLACK)	W/H Floor- Fuel Tank	Behind Fuel Tank
G104	Ground	Intake Manifold 4 Cylinder
G105	Ground	Above Flywheel Housing
G303	Ground	Below Co-Driver Seat

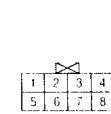
b. CONNECTOR IDENTIFICATION SYMBOL & PIN NUMBER POSITION



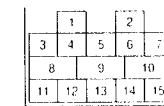
ECM(CONNECTOR: RED)



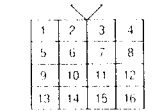
ECM(CONNECTOR: WHITE)



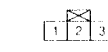
C101
W/H FRONT



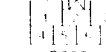
C104
W/H ENGINE CONTROL



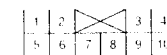
C105
W/H ECM & ABS



C107
W/H INJECTOR



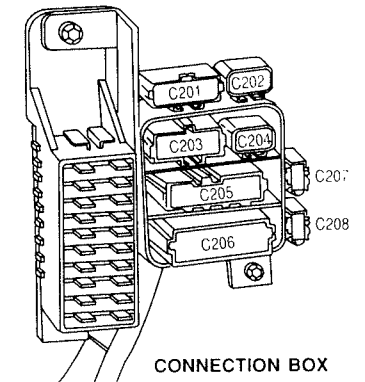
C203
W/H FRONT



C301
W/H FLOOR



C901
W/H FLOOR

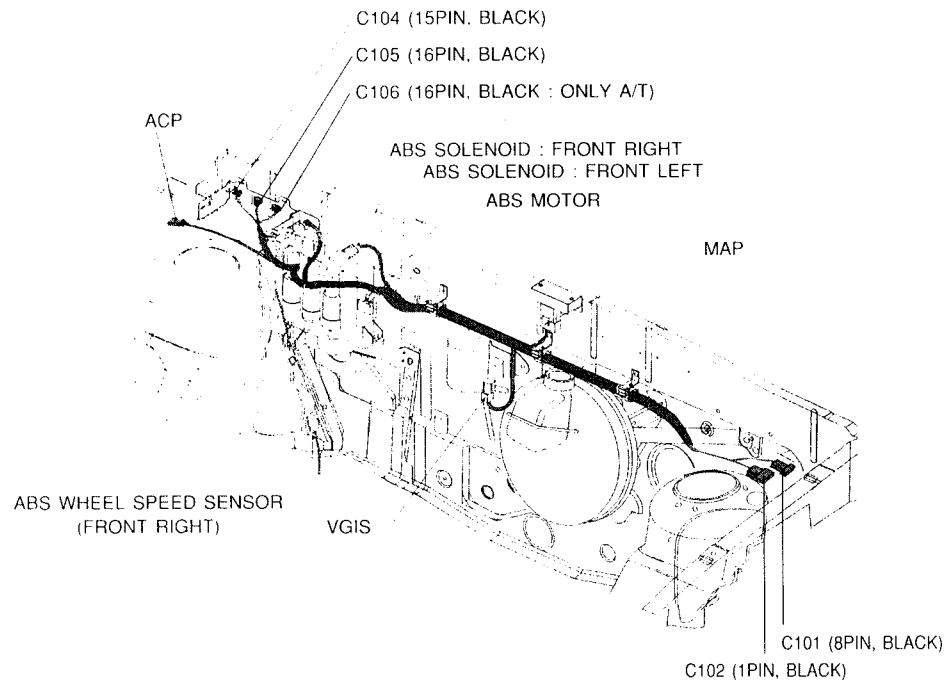


CONNECTION BOX

c. POSITION OF CONNECTORS AND GROUNDS

W/H ECM & ABS

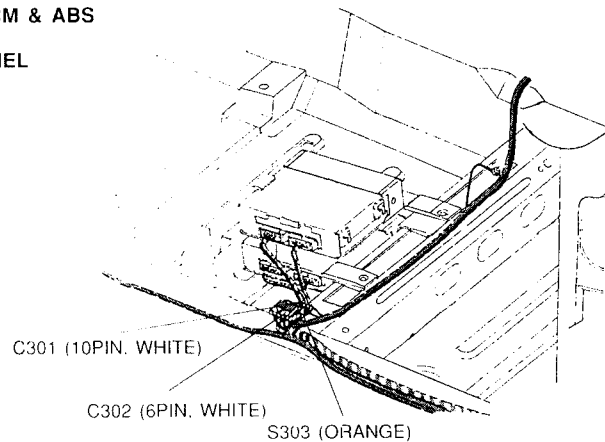
ENGINE ROOM INSIDE



W/H FLOOR

W/H ECM & ABS

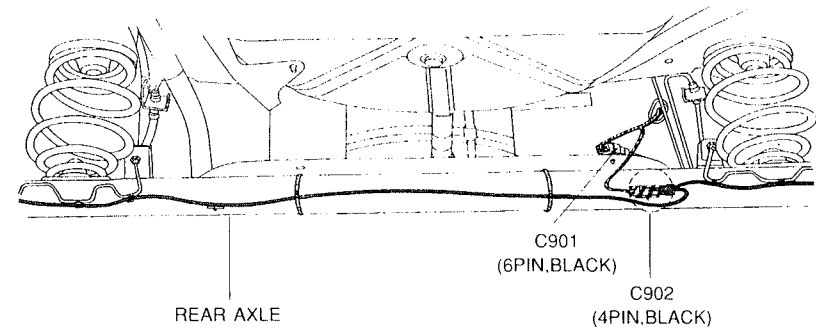
FLOOR PANEL



W/H FLOOR

W/H REAR ABS SENSOR

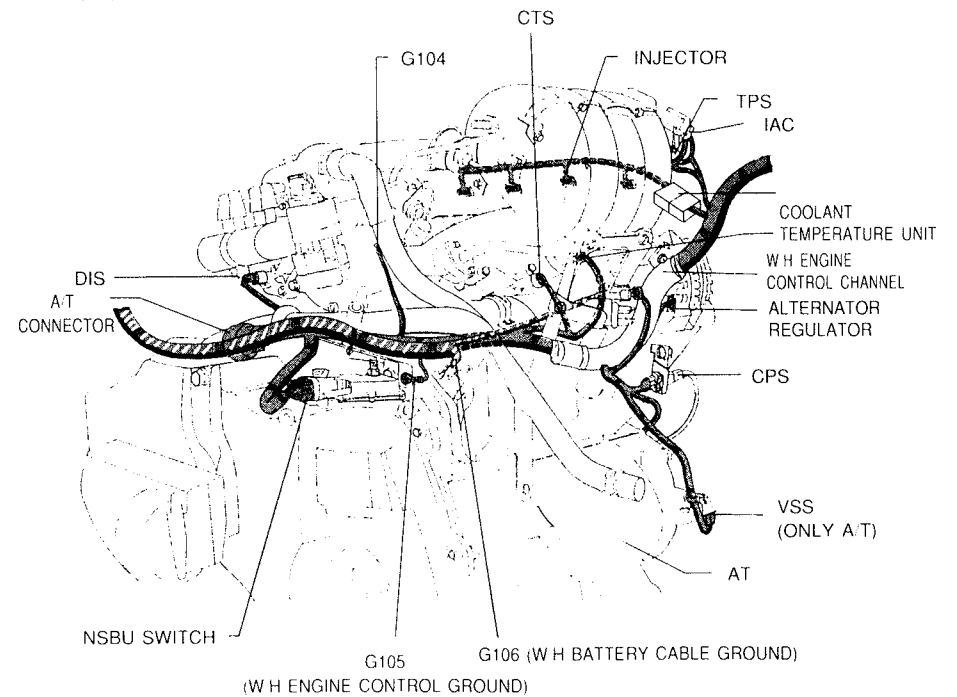
UNDER BODY



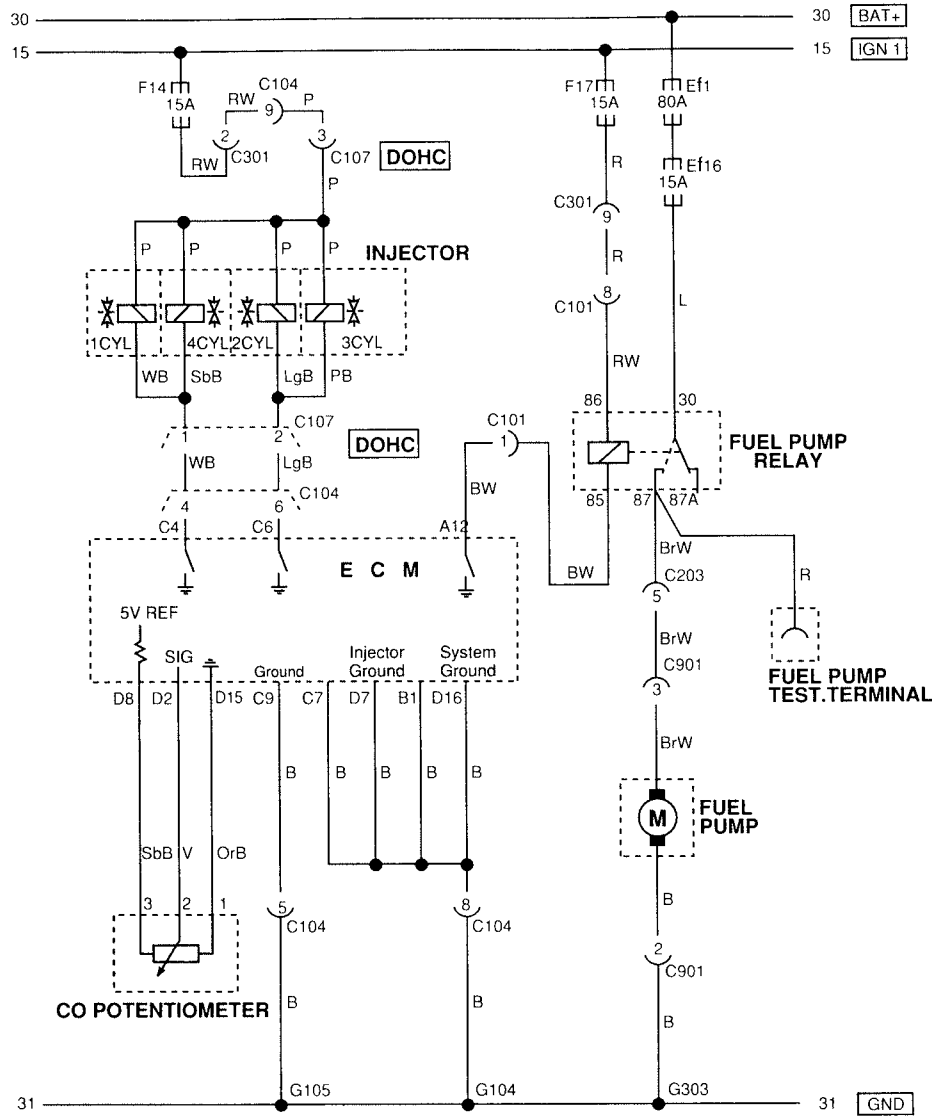
W/H BATTERY

W/H ENGINE CONTROL

DOHC ENGINE



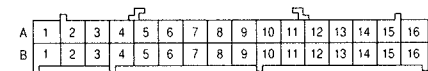
2-1) FUEL PUMP. INJECTOR. CO POTENTIOMETER CIRCUIT (LEADED)- ITMS - 6F (SOHC, DOHC)



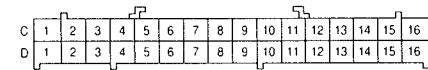
a. CONNECTOR INFORMATION

CONNECTOR(NO) (PIN NO. COLOR)	CONNECTING. WIRING HARNESS	CONNECTOR POSITION
C101(8PIN, BLACK)	W/H ECM & ABS - Front	Below Engine Coolant Surge Tank
C104(15PIN, BLACK)	W/H ECM & ABS - Engine Control	Behind Right Strut Mounting
C105(16PIN, BLACK)	W/H ECM & ABS - Engine Control	Behind Right Strut Mounting
C107(3PIN, BLACK)	W/H Engine Control - Injector(Only DOHC)	Below Throttle Valve Body
C203(7PIN, BROWN)	W/H Front - Floor	Connection Box Next to Passenger Room Fuse Box
C301(10PIN, WHITE)	W/H ECM & ABS - Floor	Below Co-Driver Seat
C901(6PIN, BLACK)	W/H Floor - Fuel Tank	Behind Fuel Tank
G104	Ground	Intake Manifold #4' Cylinder
G105	Ground	Above Flywheel Housing
G303	Ground	Below Co-Driver Seat

b. CONNECTOR IDENTIFICATION SYMBOL & PIN NUMBER POSITION



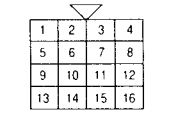
ECM(CONNECTOR: RED)



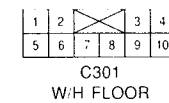
ECM(CONNECTOR: WHITE)



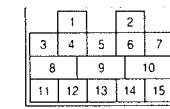
C101
W/H FRONT



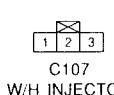
C105
W/H ECM & ABS



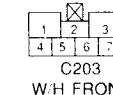
C301
W/H FLOOR



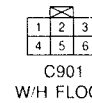
C104
W/H ENGINE CONTROL



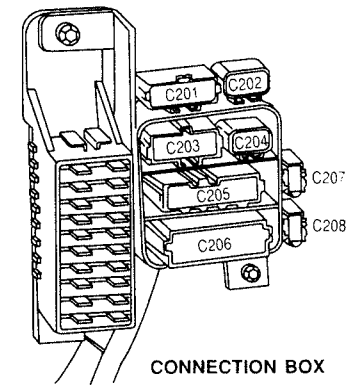
C107
W/H INJECTOR



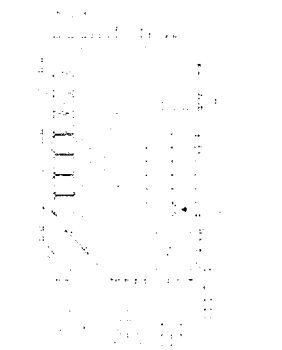
C203
W/H FRONT



C901
W/H FLOOR



CONNECTION BOX

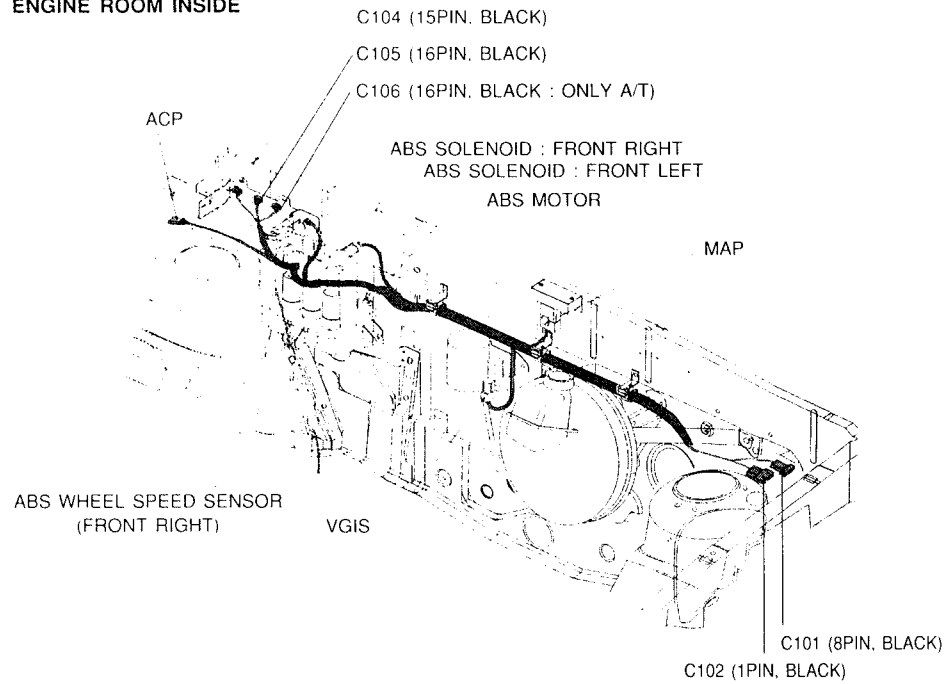


ENGINE ROOM FUSE BOX

c. POSITION OF CONNECTORS AND GROUNDS

W/H ECM & ABS

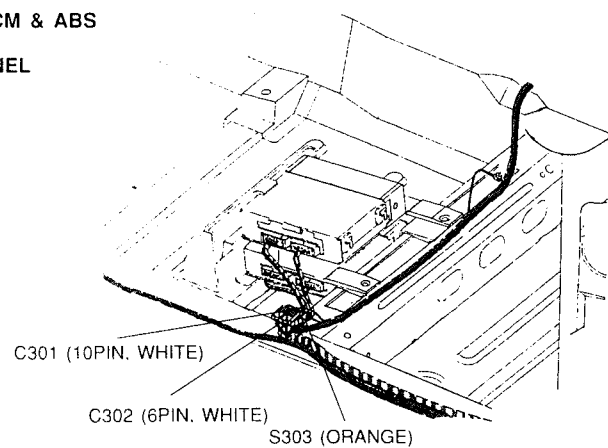
ENGINE ROOM INSIDE



W/H FLOOR

W/H ECM & ABS

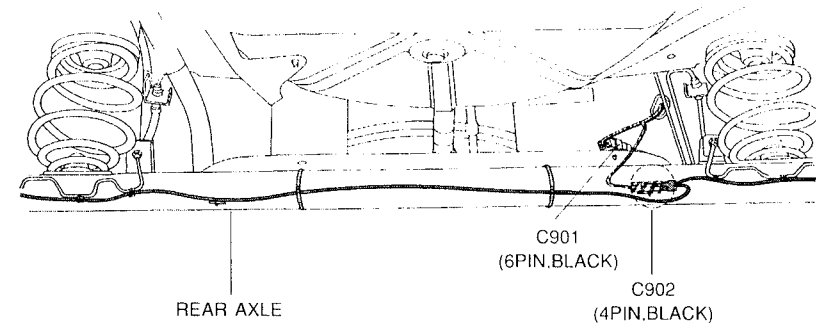
FLOOR PANEL



W/H FLOOR

W/H REAR ABS SENSOR

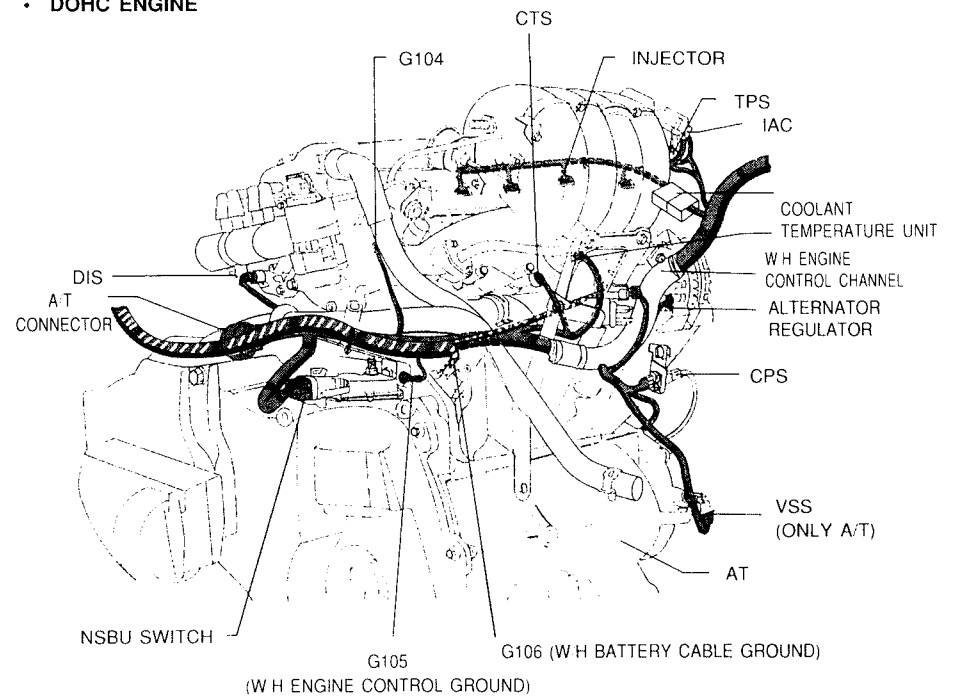
UNDER BODY



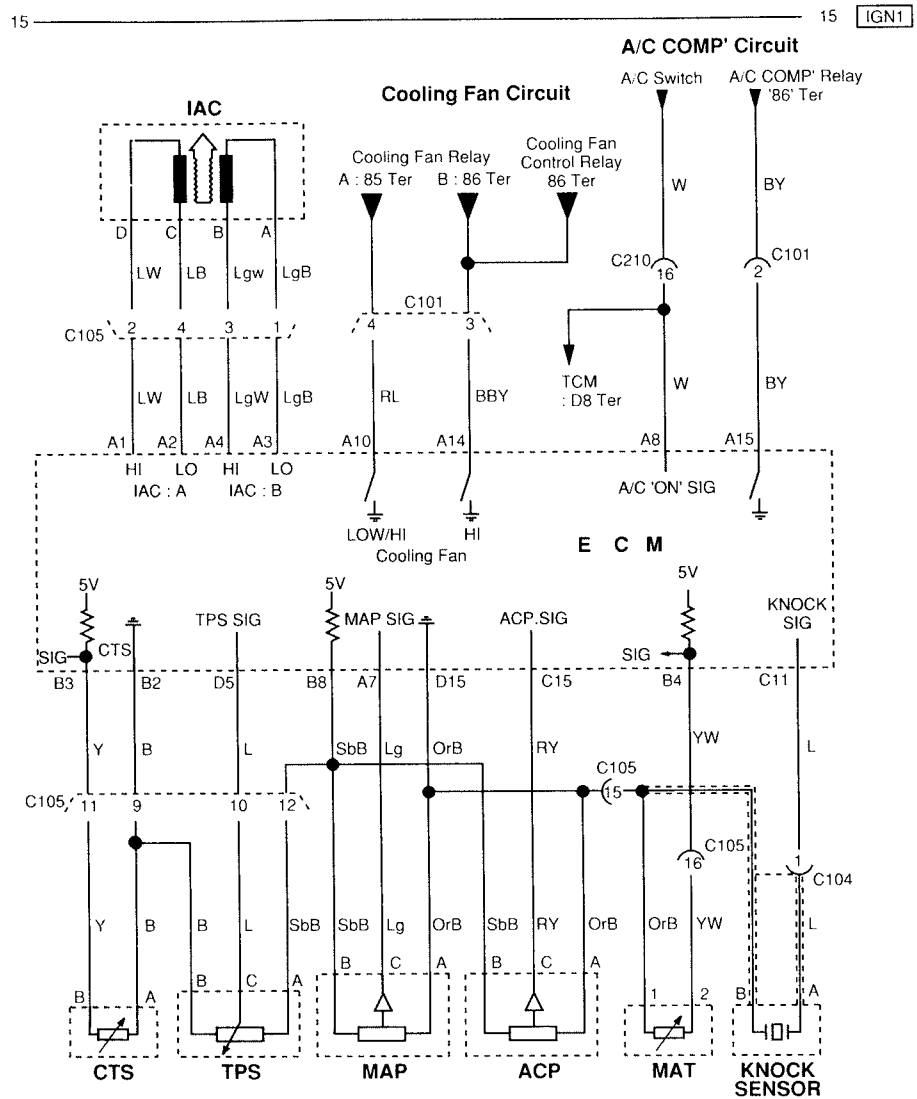
W/H BATTERY

W/H ENGINE CONTROL

DOHC ENGINE



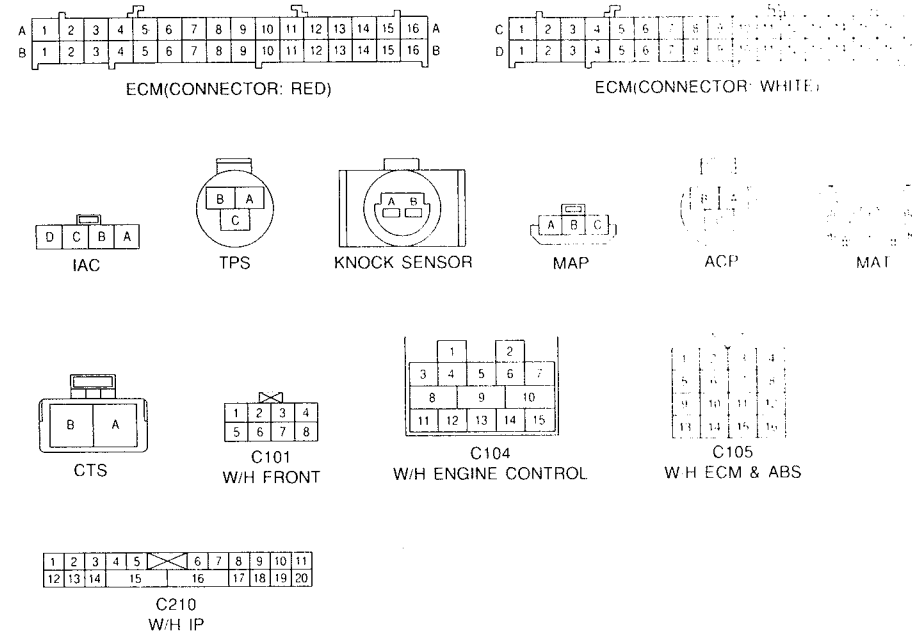
3) IAC. CTS. TPS. MAT. ACP. MAP. KNOCK SENSOR CIRCUIT - ITMS- 6F



a. CONNECTOR INFORMATION

CONNECTOR(NO) (PIN NO. COLOR)	CONNECTING. WIRING HARNESS	CONNECTOR POSITION
C101(8PIN, BLACK)	W/H ECM & ABS - Front	Below Engine Coolant Surge Tank
C104(15PIN, BLACK)	W/H ECM & ABS - Engine Control	Behind Right Strut Mounting
C105(16PIN, BLACK)	W/H ECM & ABS - Engine Control	Behind Right Strut Mounting
C210(20PIN, COLORLESS)	W/H ECM & ABS - IP	Below Glove Box(Right Side Panel)

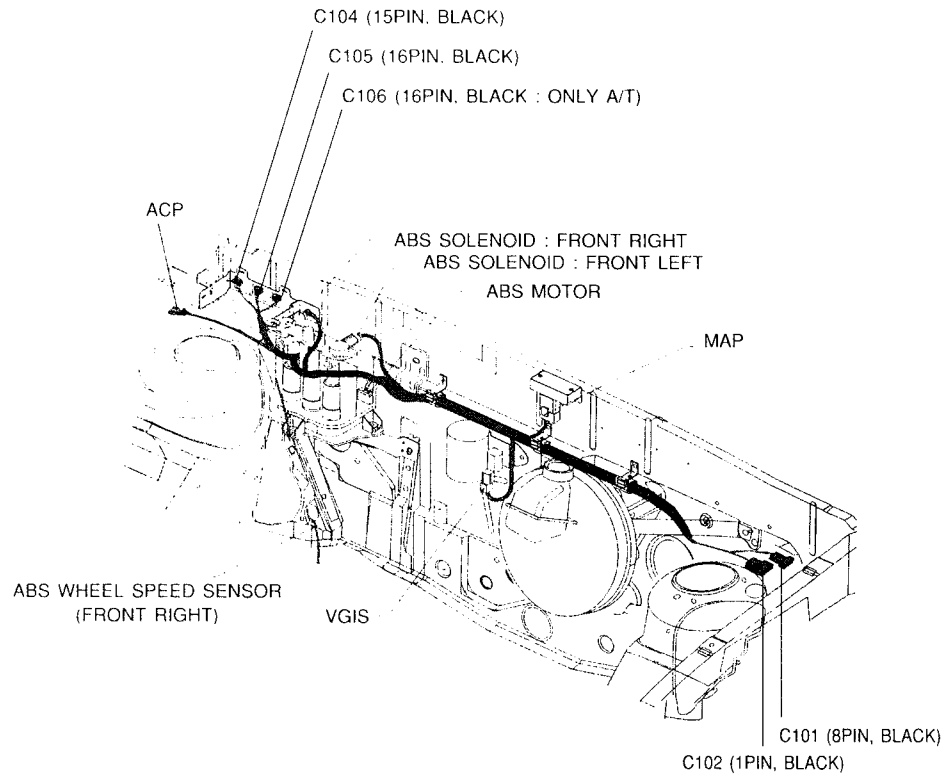
b. CONNECTOR IDENTIFICATION SYMBOL & PIN NUMBER POSITION



c. POSITION OF CONNECTORS AND GROUNDS

■ W/H ECM & ABS

• ENGINE ROOM INSIDE

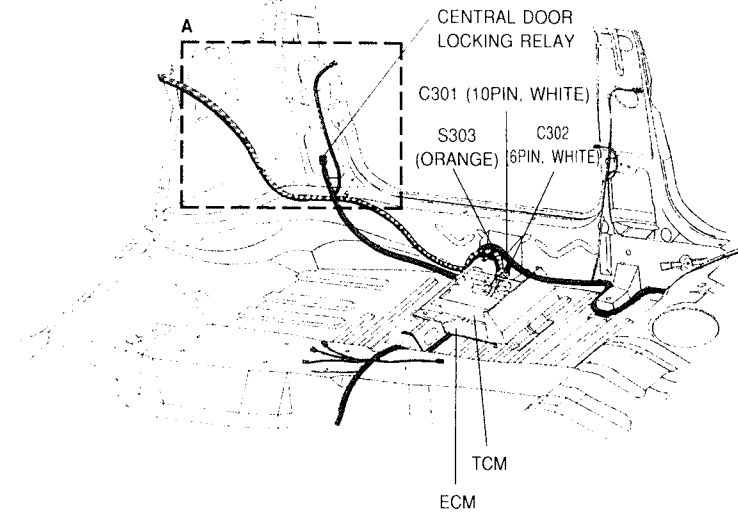


■ W/H FLOOR

□ W/H ECM & ABS

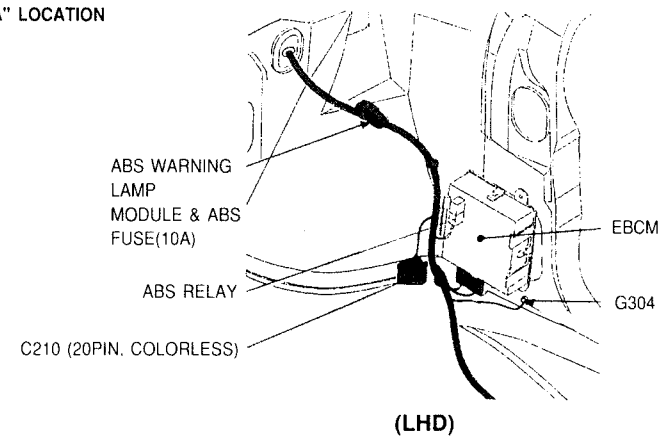
• PASSENGER ROOM RIGHT SIDE PANEL

← FRONT

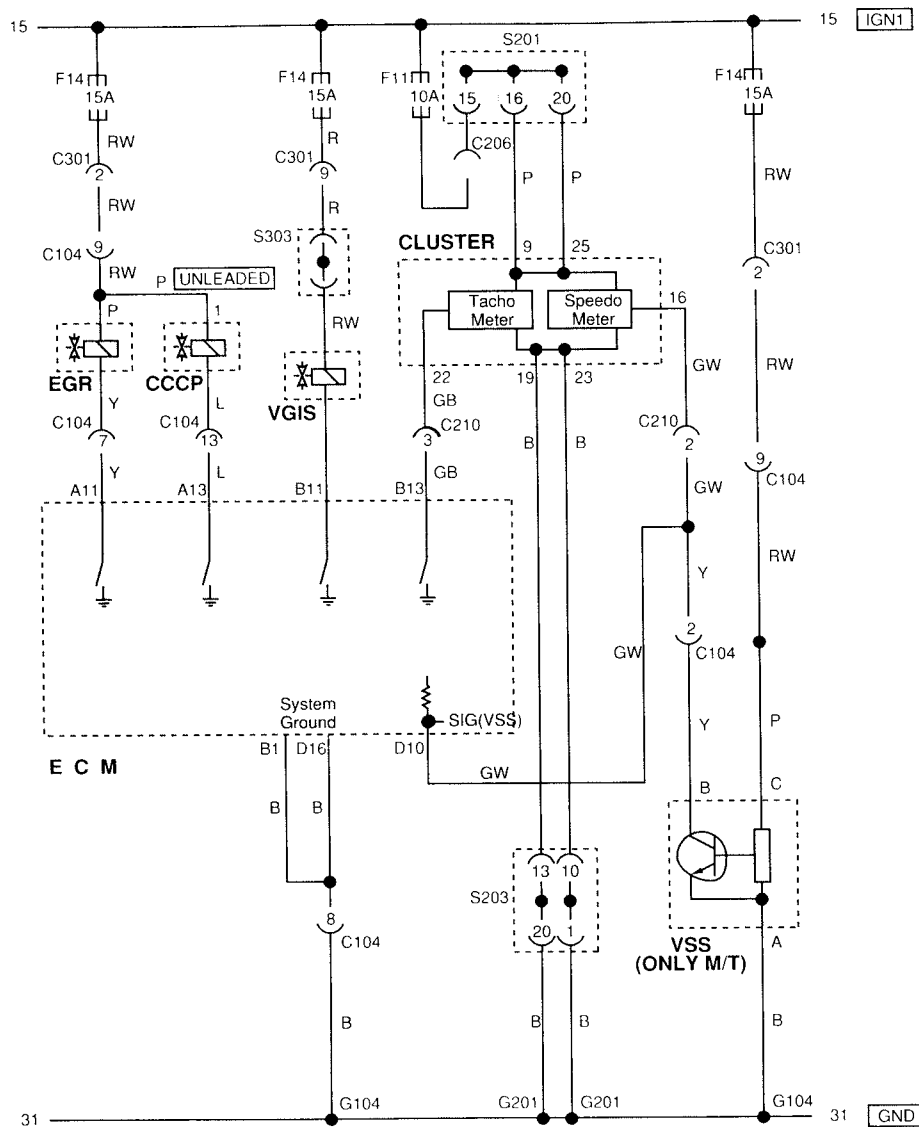


■ W/H ECM & ABS

* "A" LOCATION



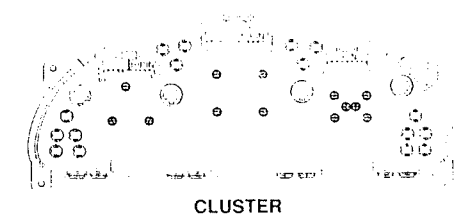
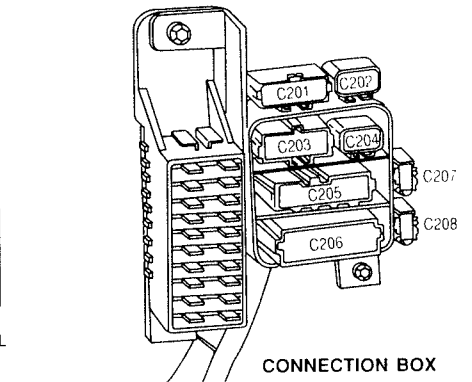
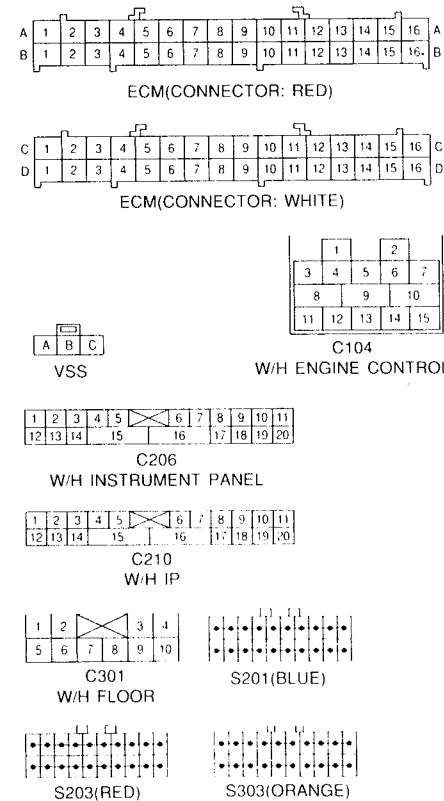
4) EGR. CCCP. VGIS. VSS. CIRCUIT (ONLY M/T) - ITMS - 6F



a. CONNECTOR INFORMATION

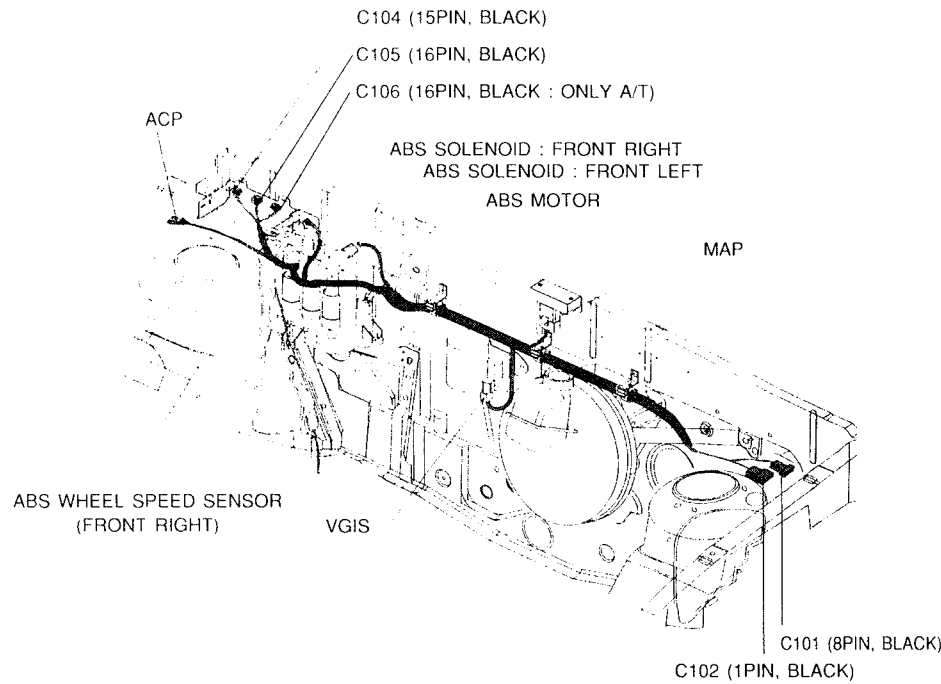
CONNECTOR(NO) (PIN NO. COLOR)	CONNECTING. WIRING HARNESS	CONNECTOR POSITION
C104(15PIN. BLACK)	W/H ECM & ABS - Engine control	Behind Right Strut Mounting
C206(20PIN. COLORLESS)	W/H Floor - IP	Connection Box Next to Passenger Room Fuse
C210(20PIN. COLORLESS)	W/H ECM & ABS - IP	Box
C301(10PIN. WHITE)	W/H ECM & ABS - Floor	Below Glove Box(Right Side Panel)
S201(20PIN. BLUE)	Splice Pack	Below Co-Driver Seat
S203(20PIN. RED)	Splice Pack	Next to Passenger Room Relay Box
S303(20PIN. GRAY)	Splice Pack	Next to Passenger Room Relay Box
G104	Ground	Below Co-Driver Seat
G201	Ground	Intake Manifold #4' Cylinder Below Right Front Console Box

b. CONNECTOR IDENTIFICATION SYMBOL & PIN NUMBER POSITION

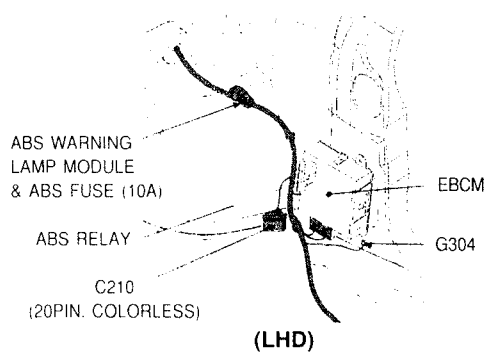


c. POSITION OF CONNECTORS AND GROUNDS

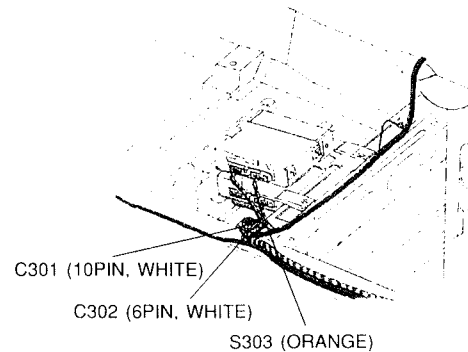
- W/H ECM & ABS
- ENGINE ROOM INSIDE



- W/H ECM & ABS
- PASSENGER ROOM RIGHT SIDE PANEL
- "A" LOCATION

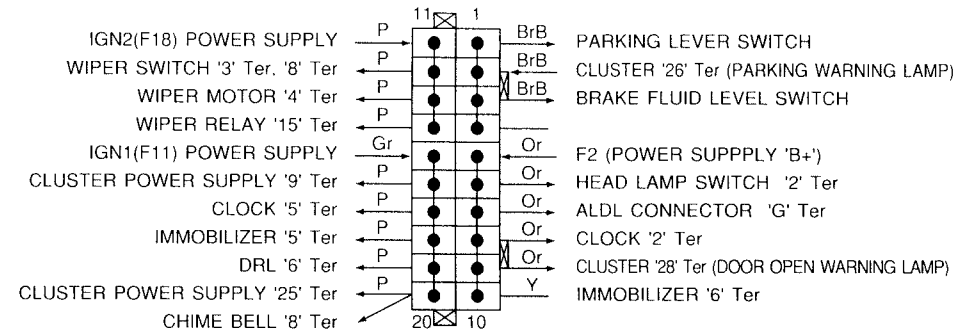


- W/H FLOOR
- W/H ECM & ABS
- FLOOR PANEL

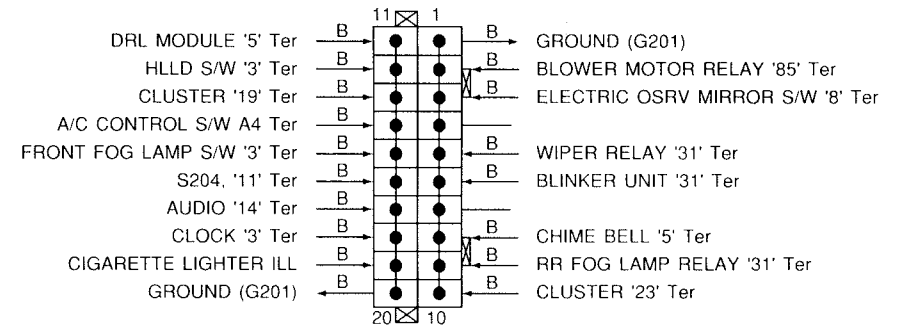


d. SPLICE PACK

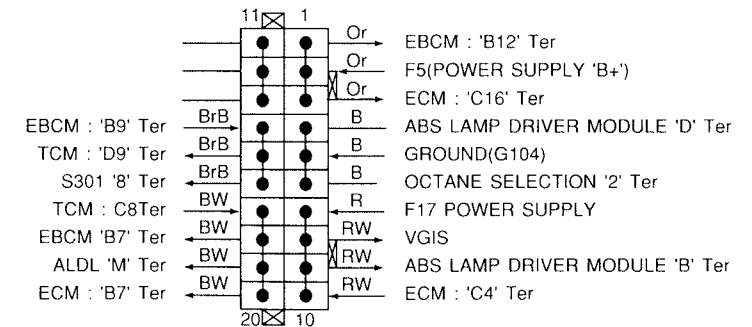
S201(BLUE)



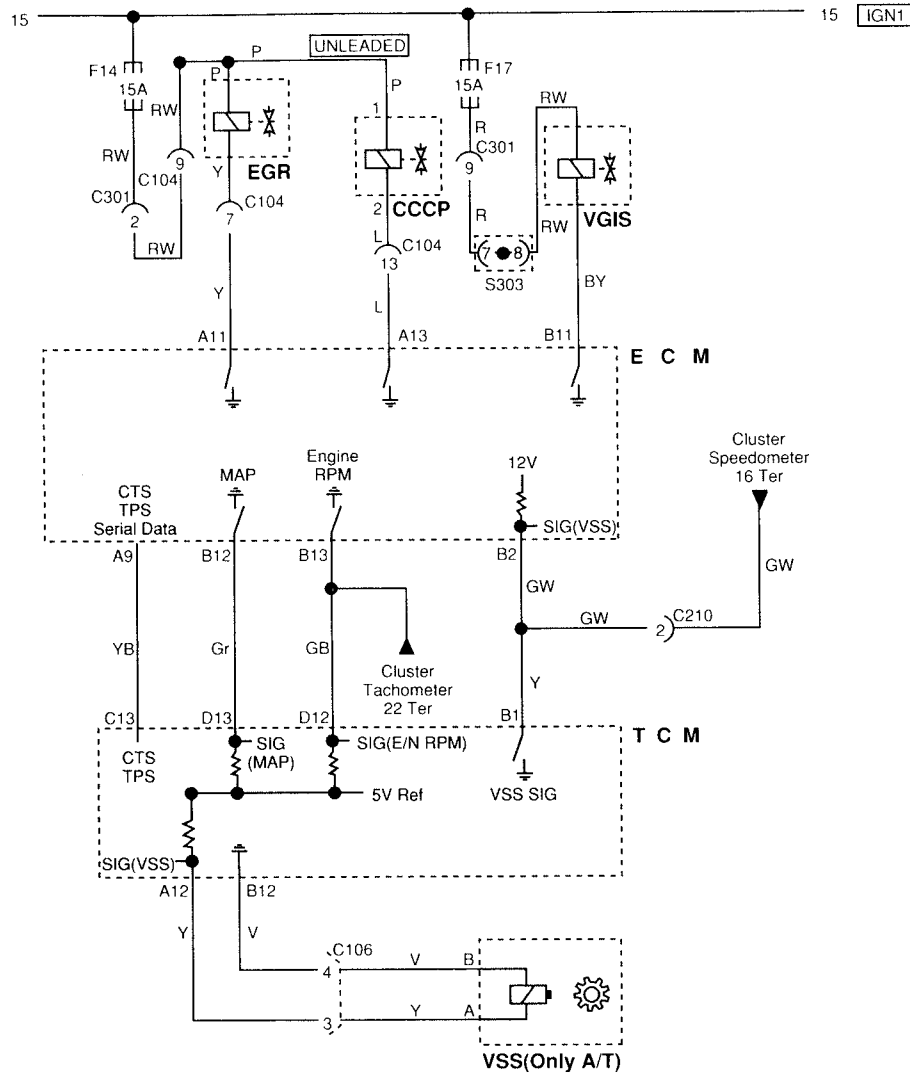
S203(RED)



S303(GRAY)



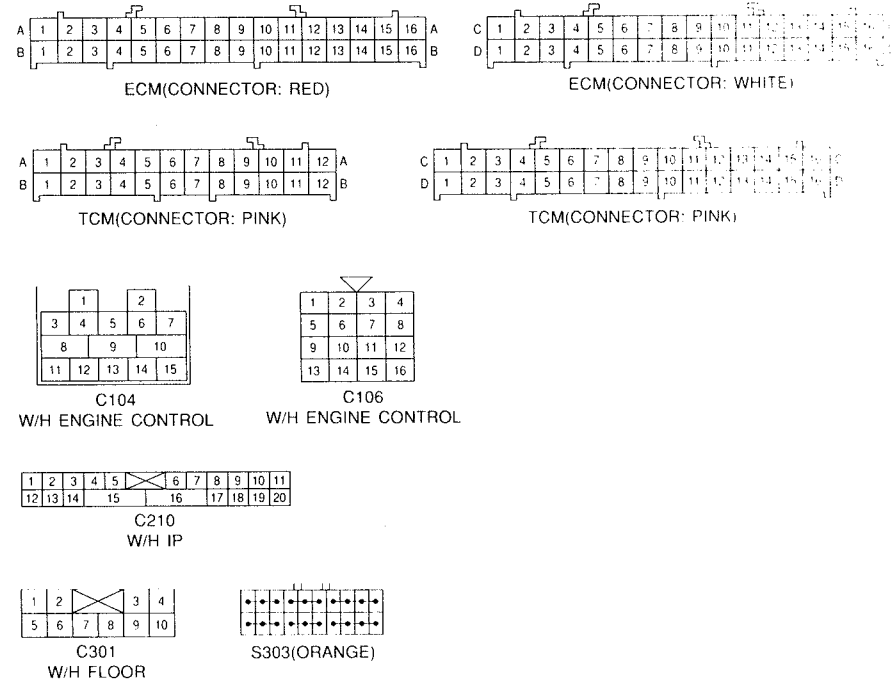
5) EGR, CCCP, VGIS, VSS, CIRCUIT (ONLY A/T) - ITMS - 6F



a. CONNECTOR INFORMATION

CONNECTOR(NO) (PIN NO. COLOR)	CONNECTING. WIRING HARNESS	CONNECTOR POSITION
C104 (15PIN. BLACK)	W/H ECM & ABS - Engine control	Behind Right Strut Mouning
C106(16PIN. BLACK)	W/H ECM & ABS - Engine Control	Behind Right Strut Mouning
C210(20PIN. COLORLESS)	W/H ECM & ABS - IP	Below Glove Box(Right Side Panel)
C301(10PIN. WHITE)	W/H ECM & ABS - Floor	Below Co-Driver Seat
S303(20PIN. GRAY)	Splice Pack	Below Co-Driver Seat

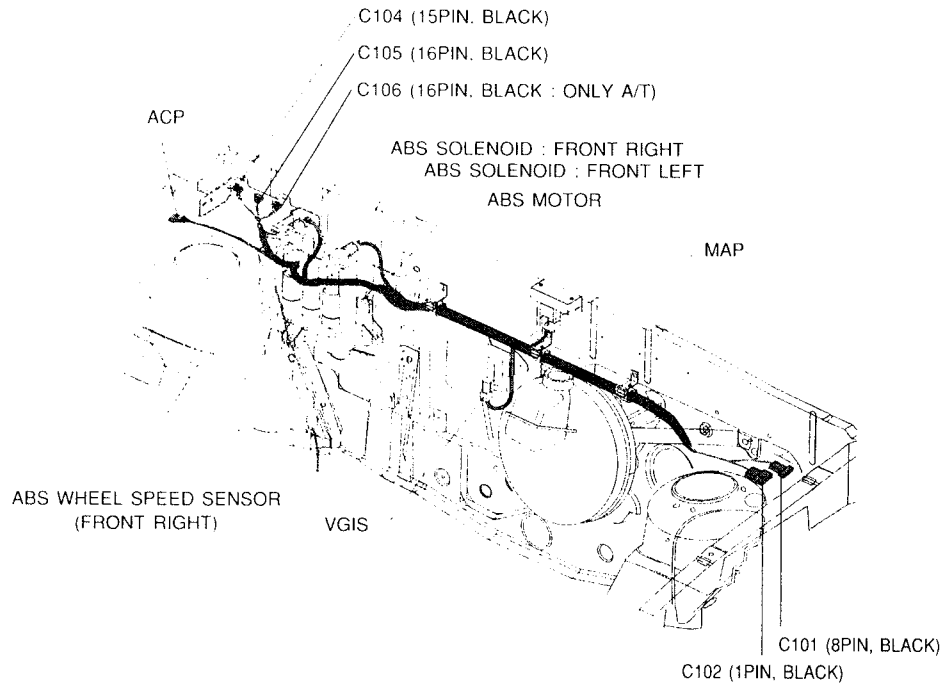
b. CONNECTOR IDENTIFICATION SYMBOL & PIN NUMBER POSITION



c. POSITION OF CONNECTORS AND GROUNDS

W/H ECM & ABS

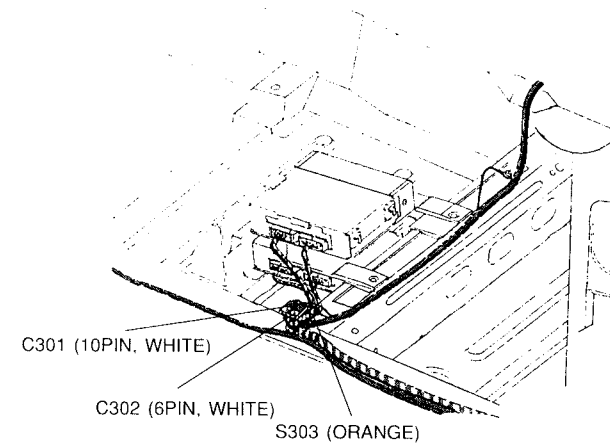
• ENGINE ROOM INSIDE



W/H FLOOR

W/H ECM & ABS

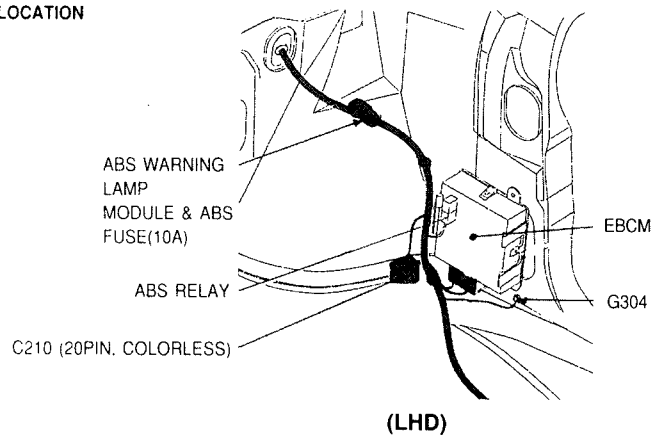
• FLOOR PANEL



W/H ECM & ABS

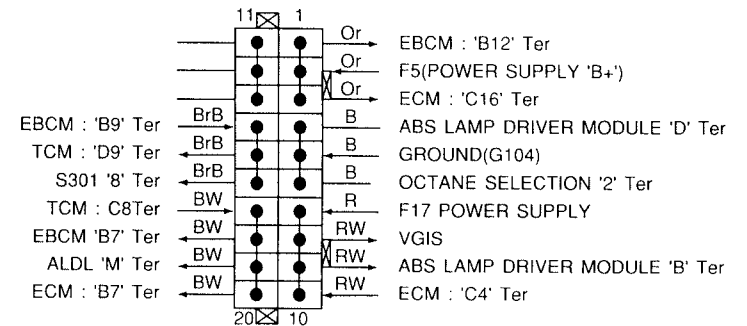
• PASSENGER ROOM RIGHT SIDE PANEL

• "A" LOCATION

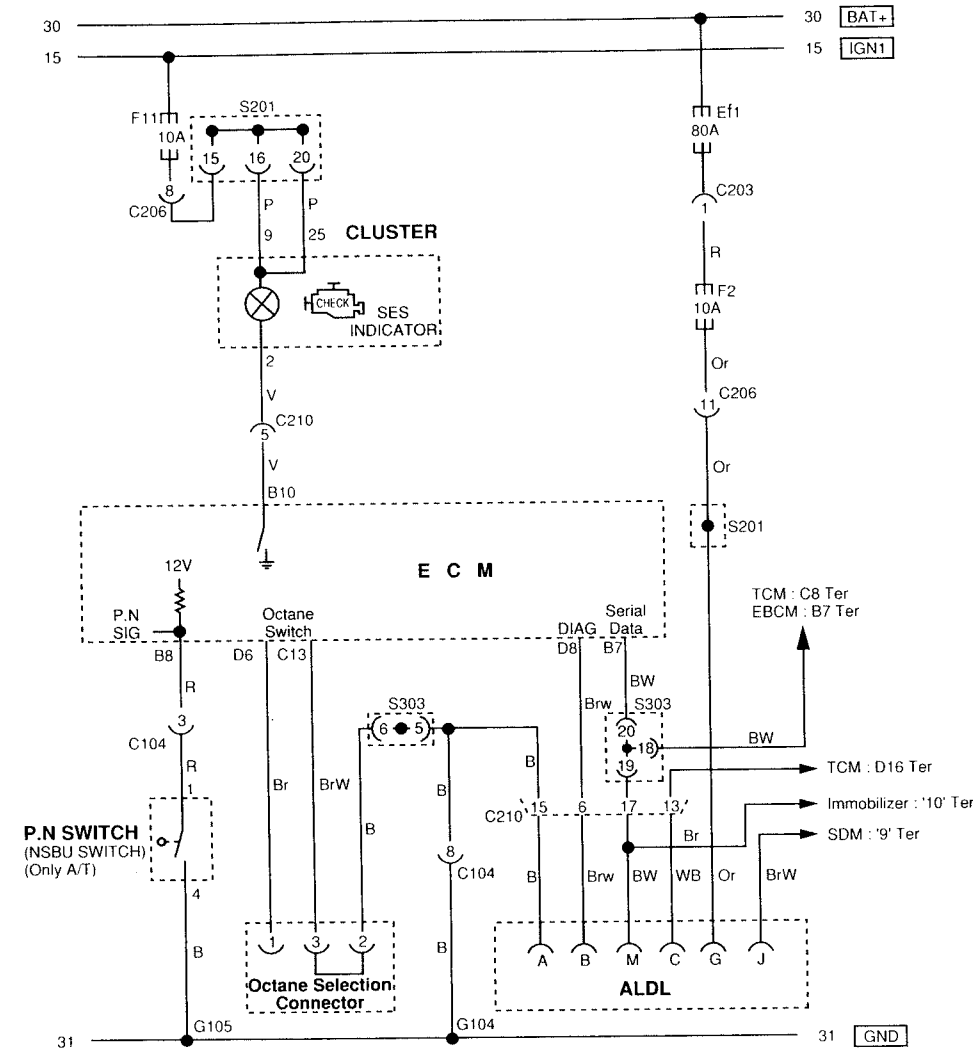


d. SPLICE PACK

S303(GRAY)



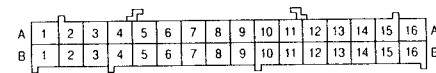
6) SES. P/N. SWITCH. ALDL CONNECTOR CIRCUIT - ITMS - 6F



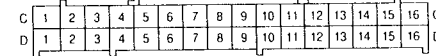
a. CONNECTOR INFORMATION

CONNECTOR(NO) (PIN NO. COLOR)	CONNECTING. WIRING HARNESS	CONNECTOR POSITION
C104(15PIN. BLACK)	W/H ECM & ABS -Engine Control	Behind Right Strut Mouting
C203(7PIN. BROWN)	W/H Front - Floor	Connection Box Next to Passenger Room Fuse Box
C206(20PIN. COLORLESS)	W/H Floor - IP	Connection Box Next to Passenger Room Fuse Box
C210(20PIN. COLORLESS)	W/H ECM & ABS - IP	Below Glove Box(Right Side Panel)
S201(20PIN. BLUE)	Splice Pack	Next to Passenger Room Relay Box
S303(20PIN. GRAY)	Splice Pack	Below Co-Driver Seat
G104	Ground	Intake Manifold '#4' Cylinder
G105	Ground	Above Flywheel Housing

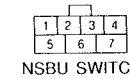
b. CONNECTOR IDENTIFICATION SYMBOL & PIN NUMBER POSITION



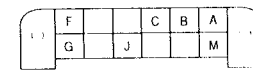
ECM(CONNECTOR: RED)



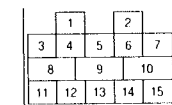
ECM(CONNECTOR: WHITE)



NSBU SWITCH



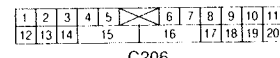
ALDL CONNECTOR



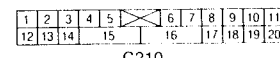
C104
W/H ENGINE CONTROL



C203
W/H FRONT



C206
W/H INSTRUMENT PANEL



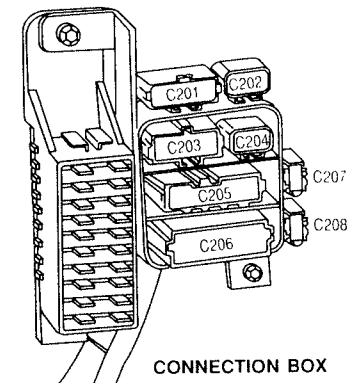
C210
W/H IP



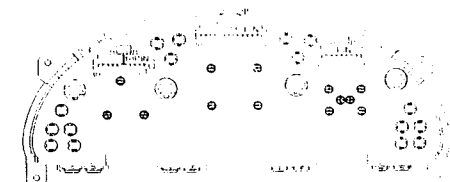
S201(BLUE)



S303(ORANGE)



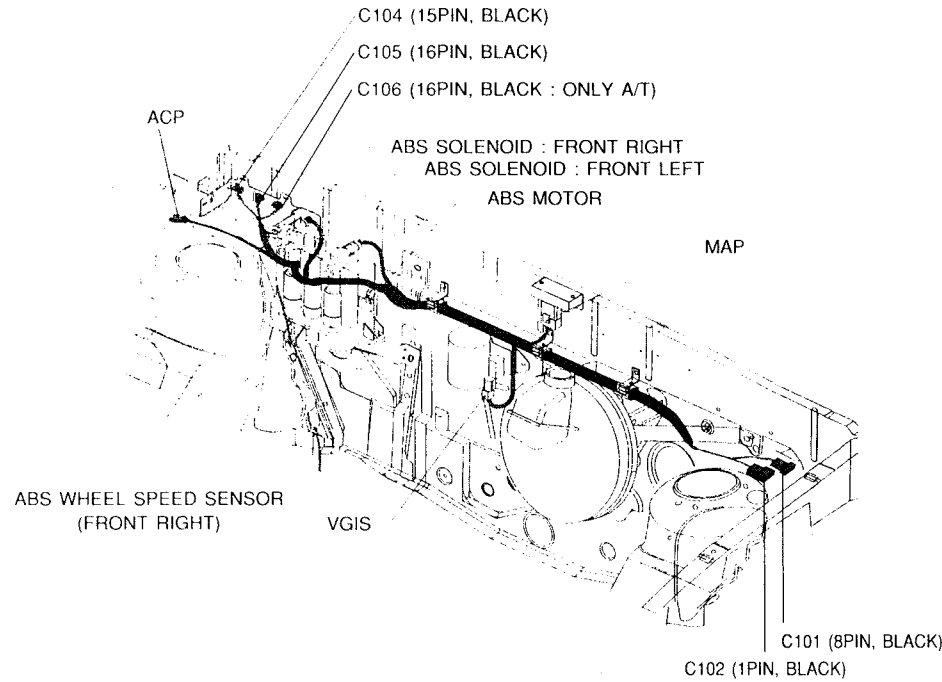
CONNECTION BOX



CLUSTER

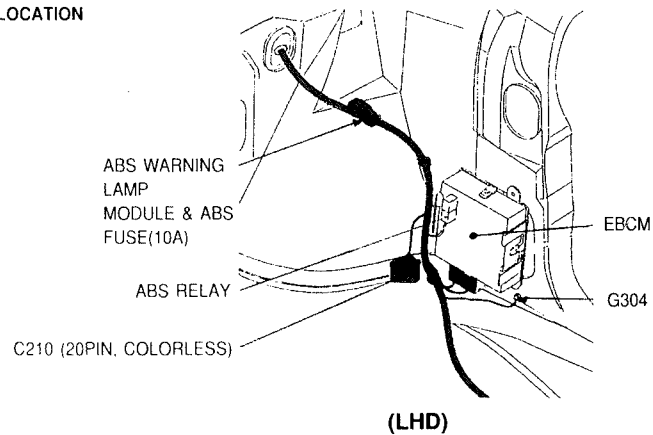
c. POSITION OF CONNECTORS AND GROUNDS

- W/H ECM & ABS
- ENGINE ROOM INSIDE



- W/H ECM & ABS

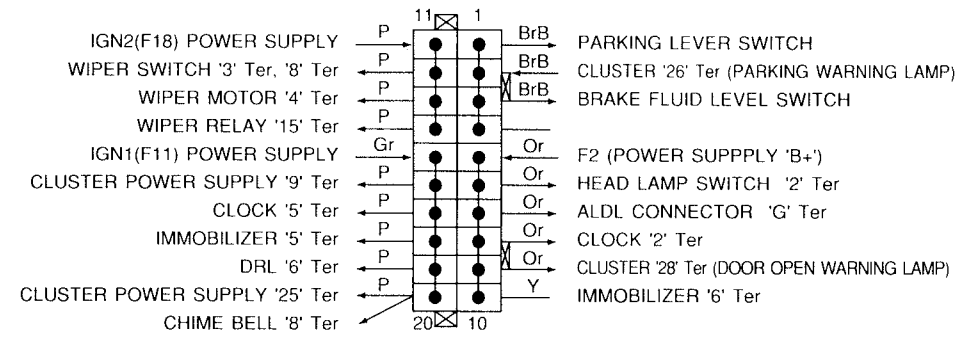
* "A" LOCATION



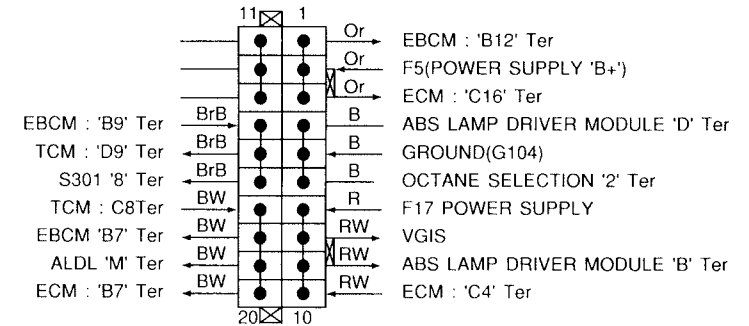
(LHD)

d. SPLICE PACK

S201(BLUE)

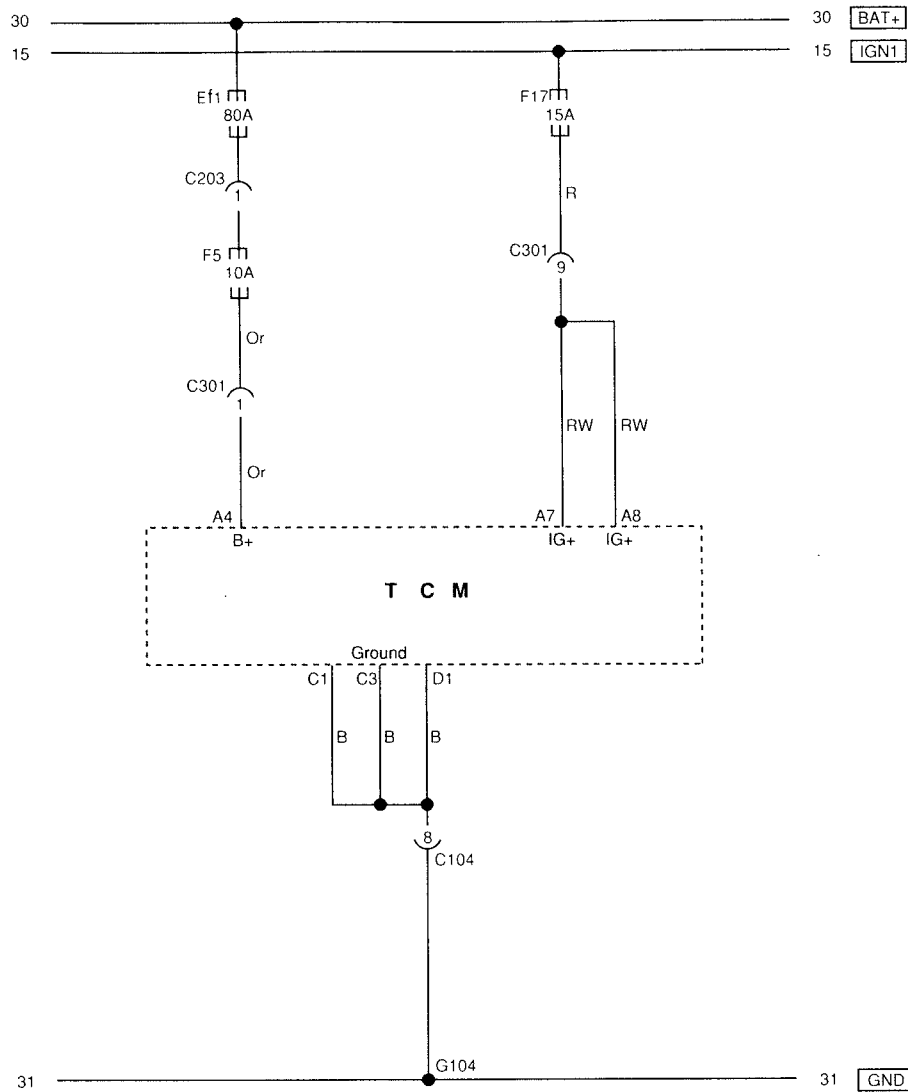


S303(GRAY)



3. TCM(TRANSMISSION CONTROL MODULE)

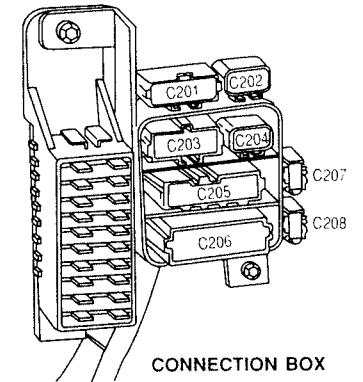
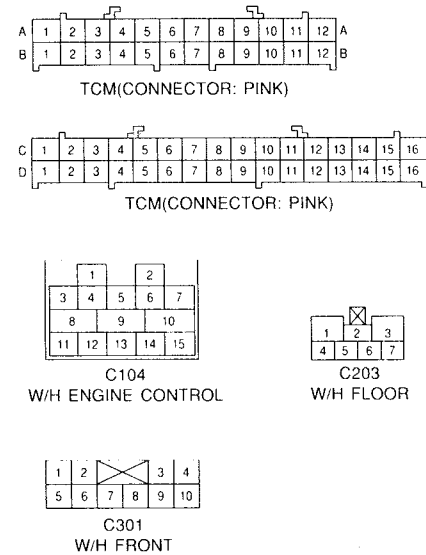
1) POWER SUPPLY & GROUND CIRCUIT



a. CONNECTOR INFORMATION

CONNECTOR(NO) (PIN NO. COLOR)	CONNECTING. WIRING HARNESS	CONNECTOR POSITION
C104(15PIN. BLACK)	W/H ECM & ABS - Engine Control	Behind Right Strut Mounting
C203(7PIN. BROWN)	W/H Front - Floor	Connection Box Next to Passenger Room Fuse Box
C301(10PIN. WHITE)	W/H ECM & ABS - Floor	Below Co-Driver Seat
G104	Ground	Intake Manifold '#4' Cylinder

b. CONNECTOR IDENTIFICATION SYMBOL & PIN NUMBER POSITION

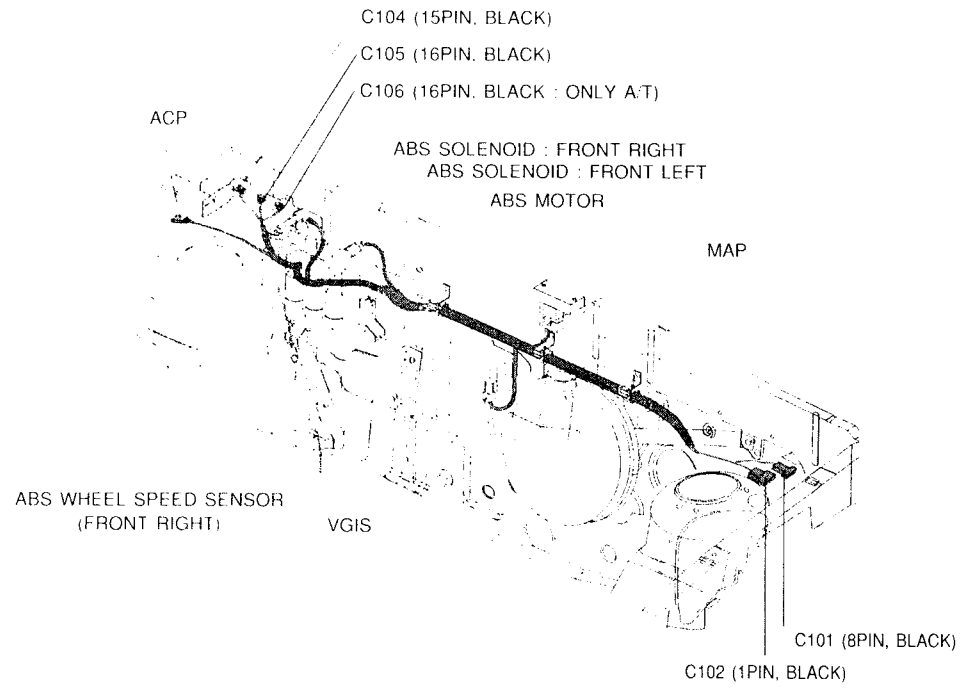


CONNECTION BOX

c. POSITION OF CONNECTORS AND GROUNDS

W/H ECM & ABS

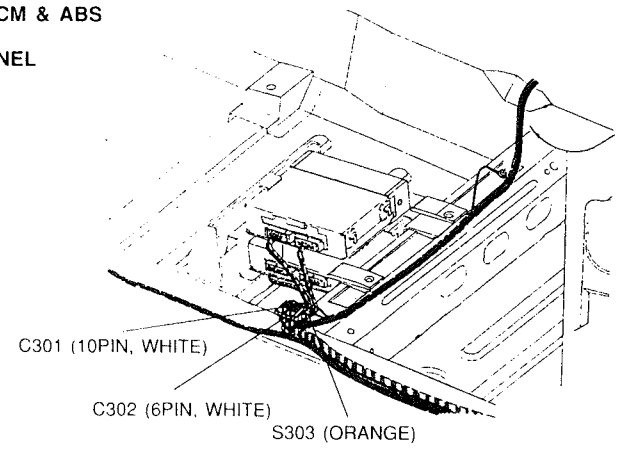
• ENGINE ROOM INSIDE



W/H FLOOR

W/H ECM & ABS

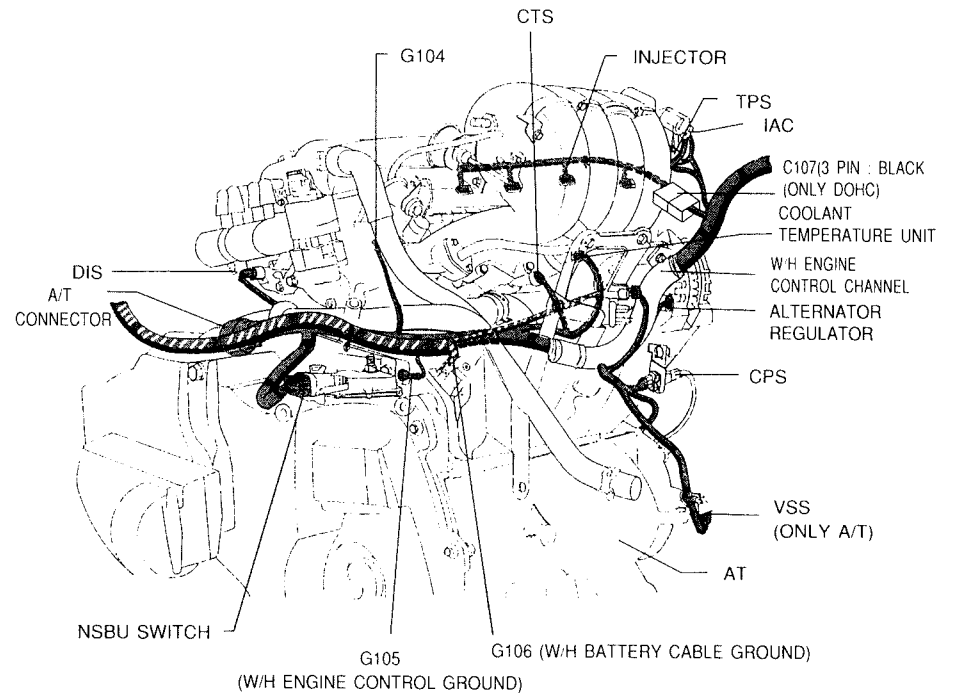
• FLOOR PANEL



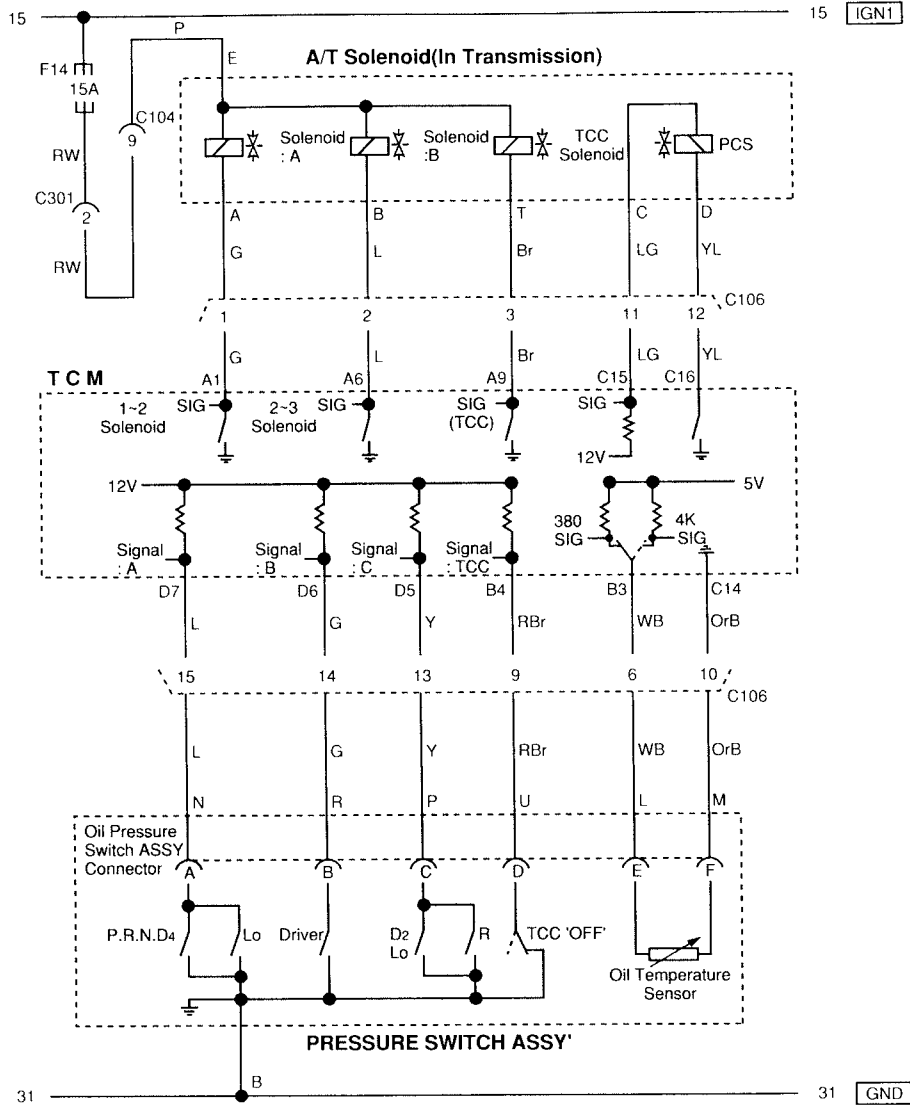
W/H BATTERY CABLE

W/H ENGINE CONTROL

• DOHC ENGINE



2) SOLENOID. PRESSURE SWITCH ASSEMBLY CIRCUIT



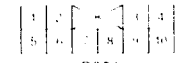
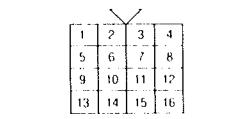
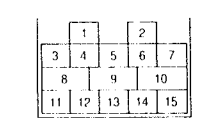
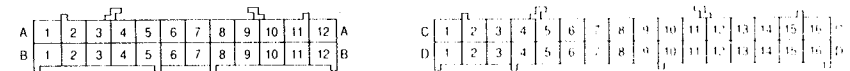
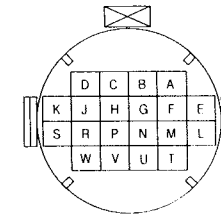
a. CONNECTOR INFORMATION

CONNECTOR(NO) (PIN NO. COLOR)	CONNECTING. WIRING HARNESS	CONNECTOR POSITION
C104(15PIN. BLACK)	W/H ECM & ABS - Engine Control	Behind Right Strut Mounting
C106(16PIN. BLACK)	W/H ECM & ABS - Engine Control	Behind Right Strut Mounting
C301(10PIN. WHITE)	W/H ECM & ABS - Floor	Below Co-Driver Seat

b. SHIFTING SOLENOID OPERATING

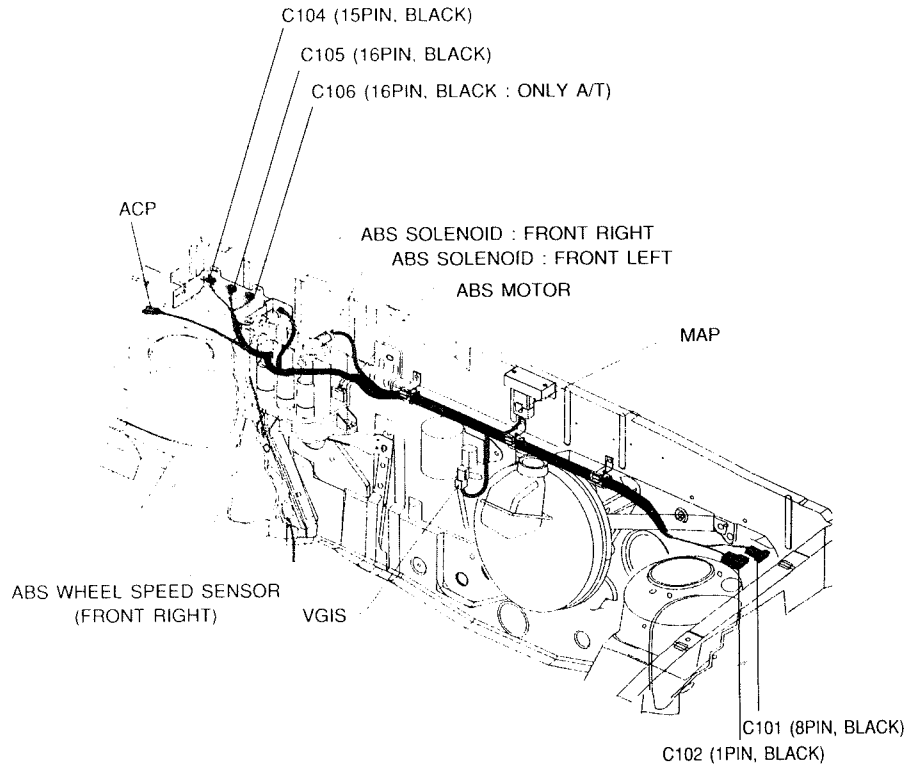
GEAR	SOLENOID 1-2(A)	SOLENOID 2-3(B)
First	ON	OFF
Second	OFF	OFF
Third	OFF	ON
Fourth	ON	ON
Park. Reverse. Neutral	ON	OFF

c. CONNECTOR IDENTIFICATION SYMBOL & PIN NUMBER POSITION



d. POSITION OF CONNECTORS AND GROUNDS

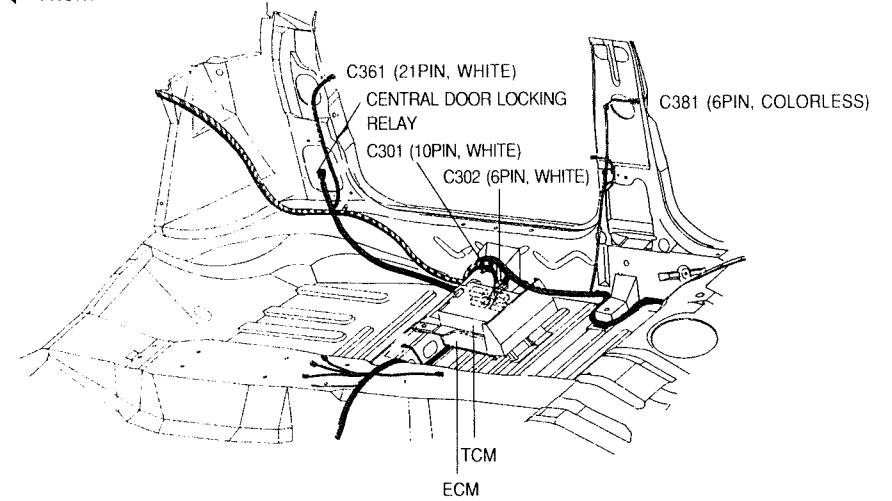
- W/H ECM & ABS
- ENGINE ROOM INSIDE



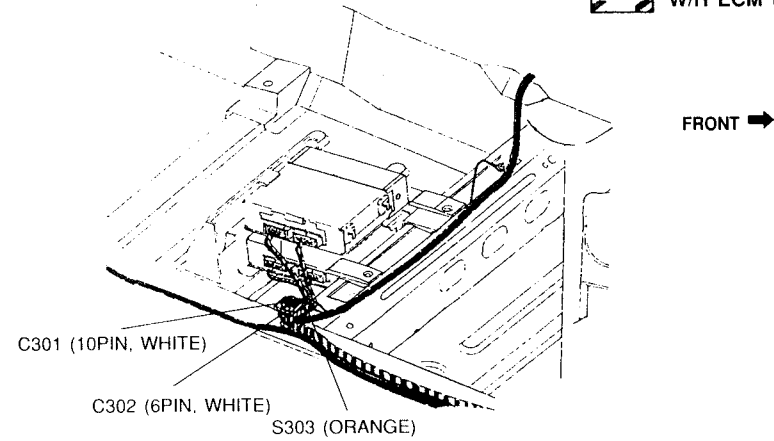
- W/H FLOOR
- W/H ECM & ABS

• FLOOR PANEL RIGHT

← FRONT



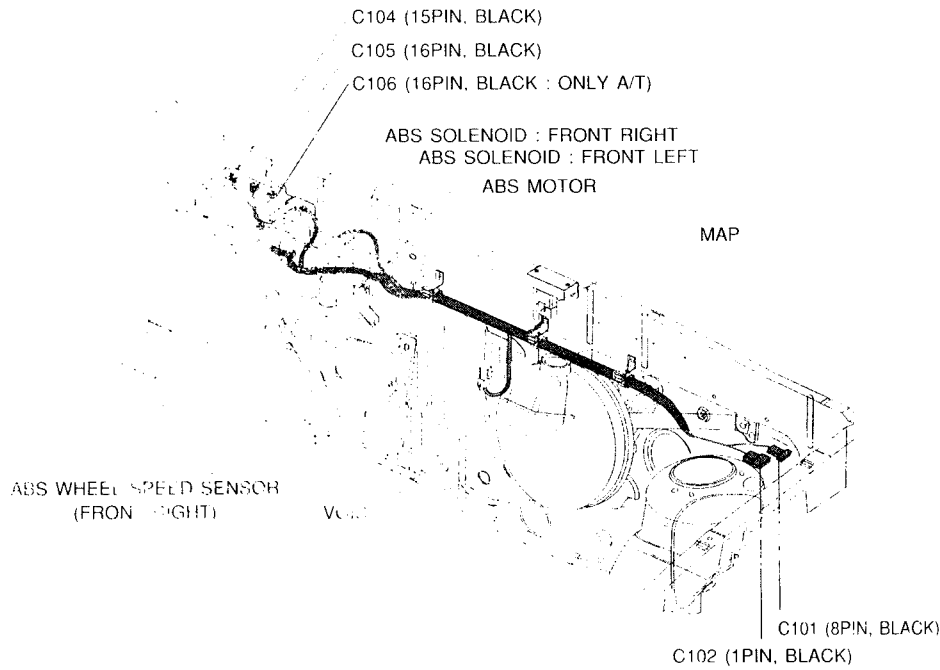
- W/H FLOOR
- W/H ECM & ABS



c. POSITION OF CONNECTORS AND GROUNDS

W/H ECM & ABS

ENGINE ROOM INSIDE



W/H ECM & ABS

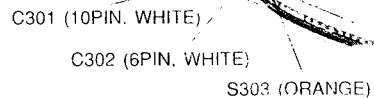
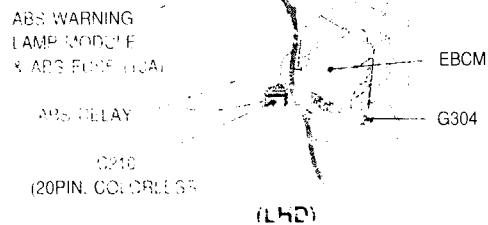
PASSENGER ROOM RIGHT SIDE PANEL

"A" LOCATION

W/H FLOOR

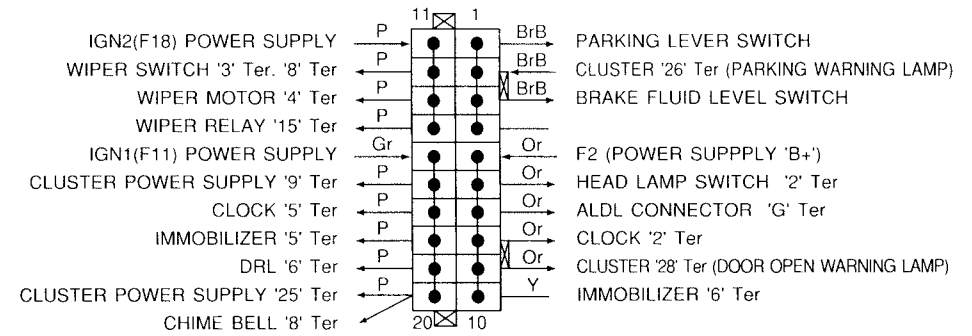
W/H ECM & ABS

FLOOR PANEL

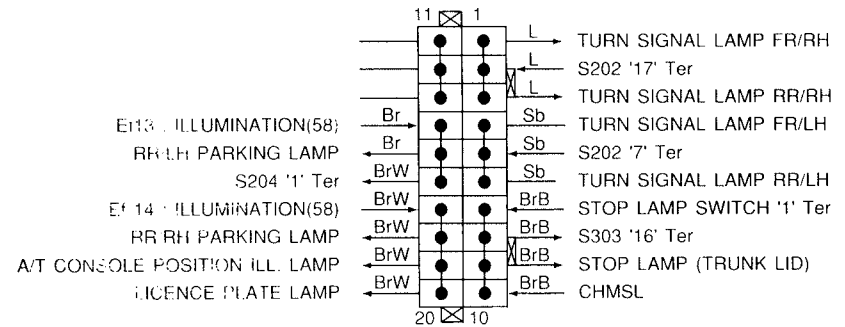


d. SPLICE PACK

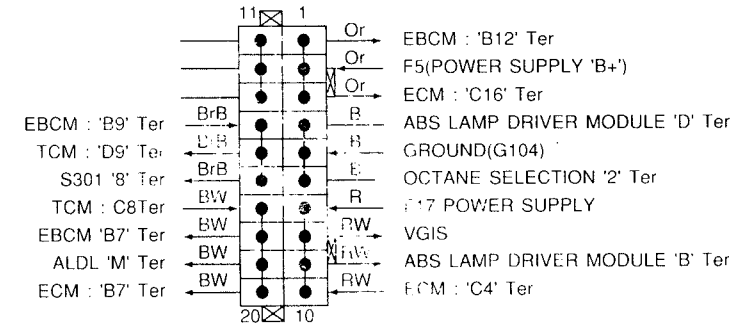
S201(BLUE)



S301(ORANGE)

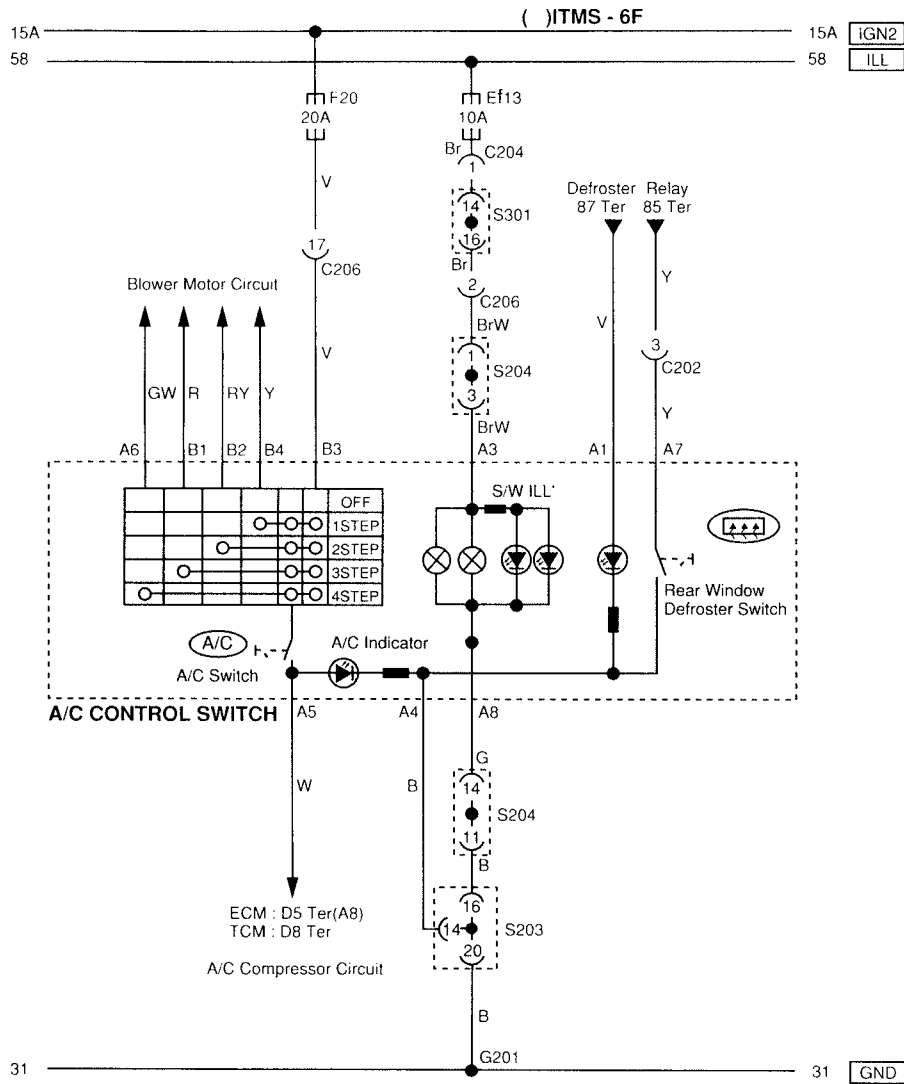


S303(GRAY)



4. AIR CONDITIONER

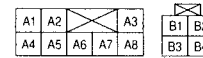
1) AIR CONDITIONER CONTROL SWITCH CIRCUIT



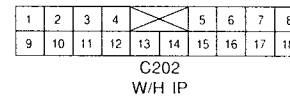
a. CONNECTOR INFORMATION

CONNECTOR(NO) (PIN NO. COLOR)	CONNECTING. WIRING HARNESS	CONNECTOR POSITION
C202(18PIN. WHITE)	W/H Front - IP	Connection Box Next to Passenger Room Fuse Box
C204(6PIN. WHITE)	W/H Front - Floor	Connection Box Next to Passenger Room Fuse Box
C206(20PIN. COLORLESS)	W/H Floor - IP	Connection Box Next to Passenger Room Fuse Box
S203(20PIN. RED)	Splice Pack	Next to Passenger Room Relay Box
S204(20PIN. RED)	Splice Pack	Above Glove Box
S301(20PIN. ORANGE)	Splice Pack	Below Driver Seat
G201	Ground	Below Right Front Console Box

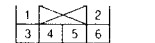
b. CONNECTOR IDENTIFICATION SYMBOL & PIN NUMBER POSITION



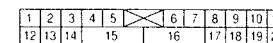
A/C CONTROL SWITCH



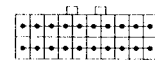
C202
W/H IP



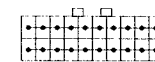
C204
W/H FRONT



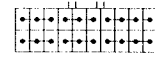
C206
W/H INSTRUMENT PANEL



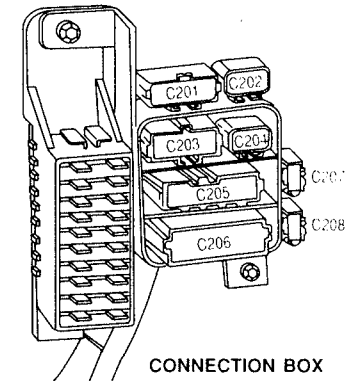
S203(RED)



S204(RED)



S301(ORANGE)

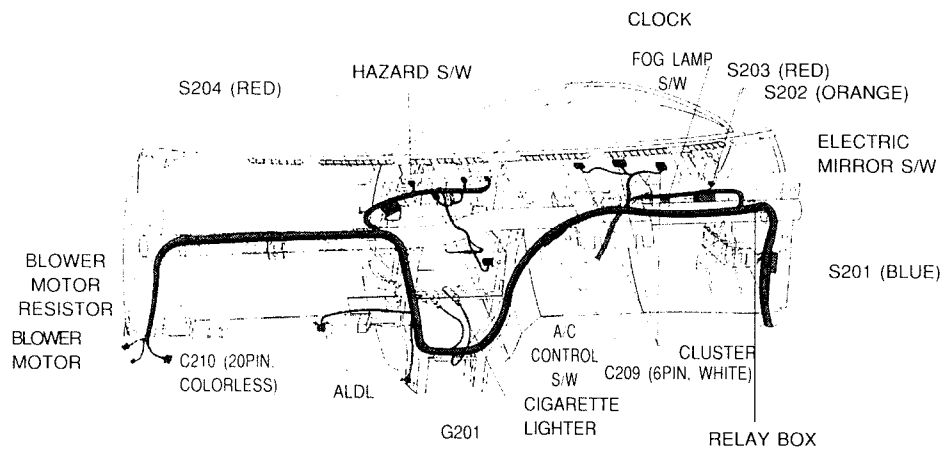


CONNECTION BOX

c. POSITION OF CONNECTORS AND GROUNDS

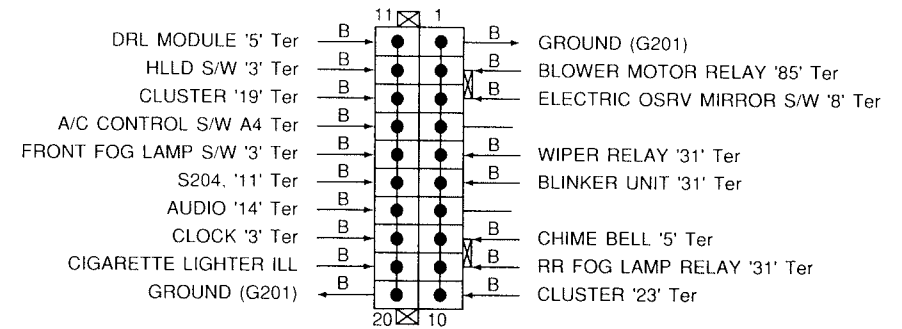
W/H IP

- ENGINE PANEL INSIDE

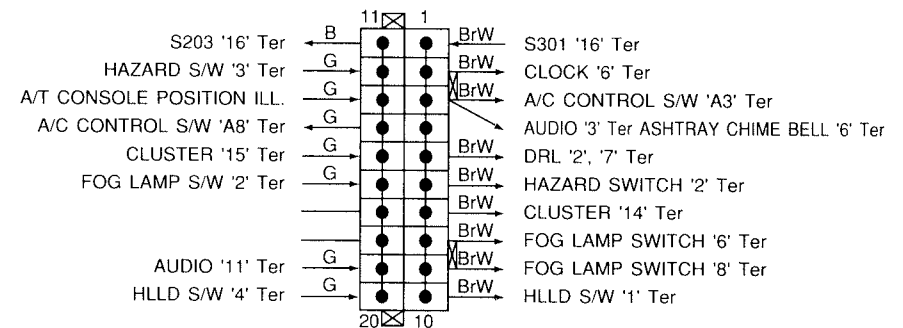


d. SPLICE PACK

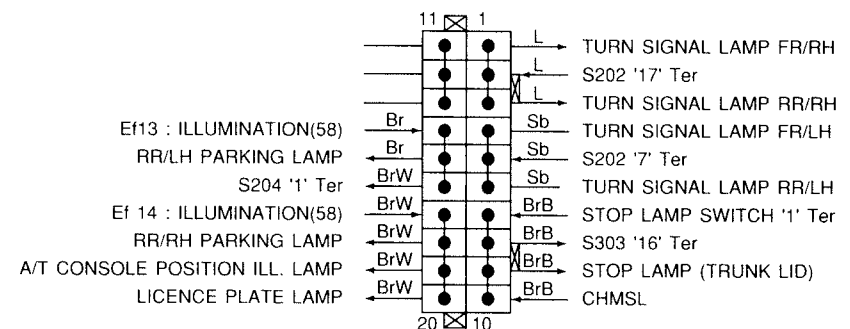
S203(RED)



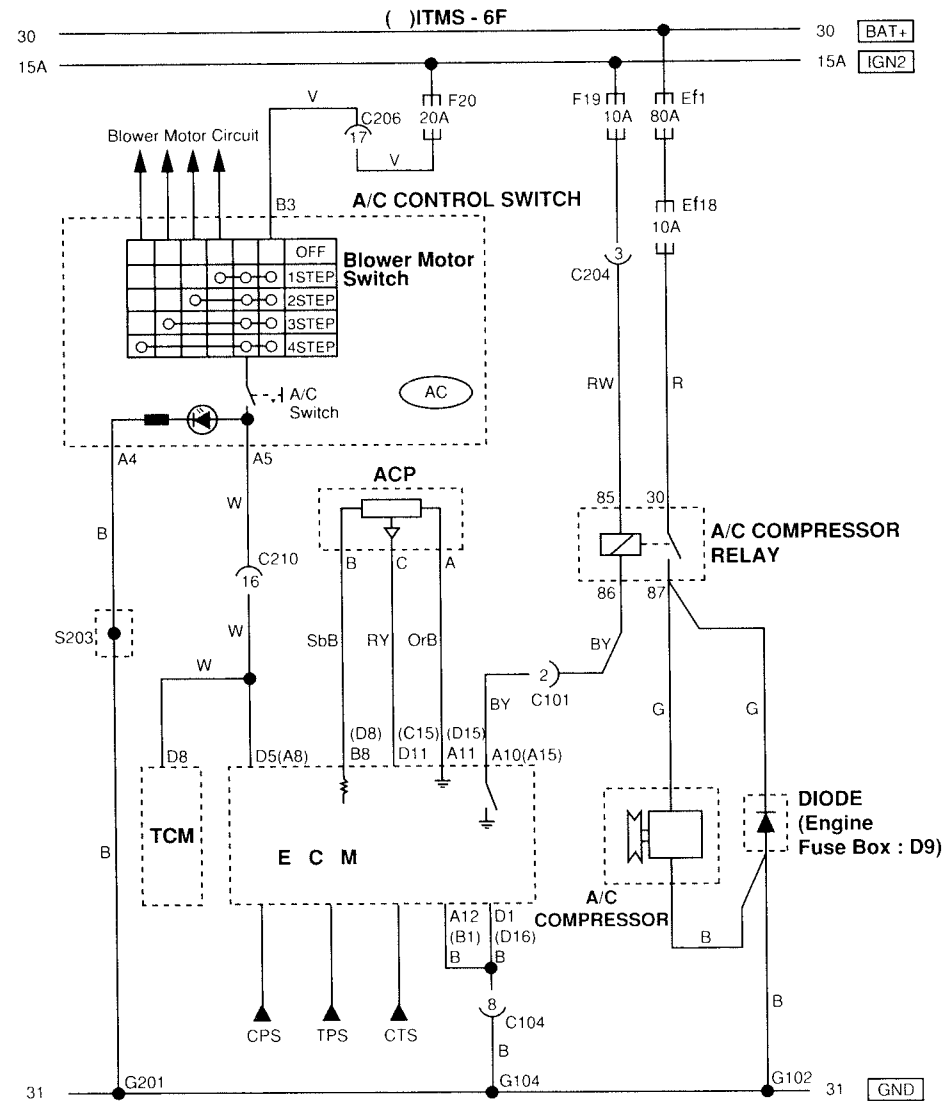
S204(RED)



S301(ORANGE)



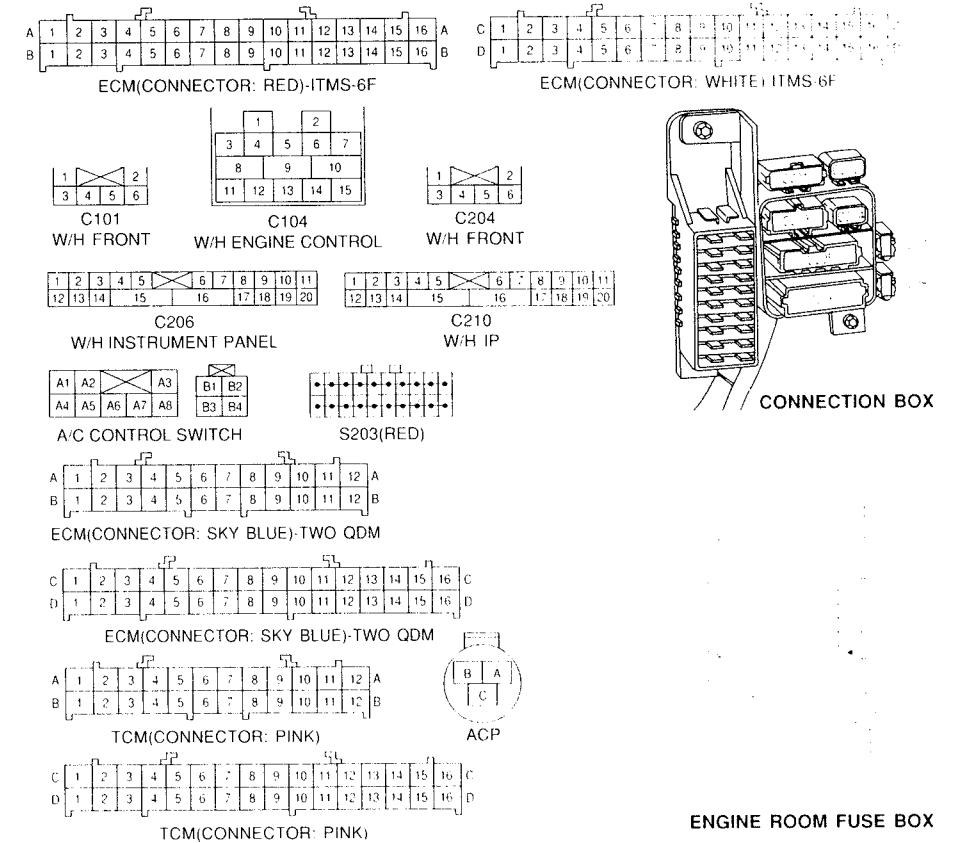
2) AIR CONDITIONER COMPRESSOR CIRCUIT



a. CONNECTOR INFORMATION

CONNECTOR(NO) (PIN NO. COLOR)	CONNECTING. WIRING HARNESS	CONNECTOR POSITION
C101(8PIN. BLACK)	W/H ECM & ABS - Front	Below Engine Coolant Surge Tank
C104(15PIN. BLACK)	W/H ECM & ABS - Engine Control	Behind Right Strut mounting
C204(6PIN. WHITE)	W/H Front - Floor	Connection Box Next to Passenger Room Fuse Box
C206(20PIN. COLORLESS)	W/H Floor - IP	Connection Box Next to Passenger Room Fuse Box
C210(20PIN. COLORLESS)	W/H ECM & ABS - IP	Below Glove Box(Right Side Panel)
S203(20PIN. RED)	Splice Pack	Next to Passenger Room Relay Box
G102	Ground	Fender Below Engine Room Fuse Box
G104	Ground	Intake Mainfold '#4' Cylinder
G201	Ground	Below Right Front Console Box

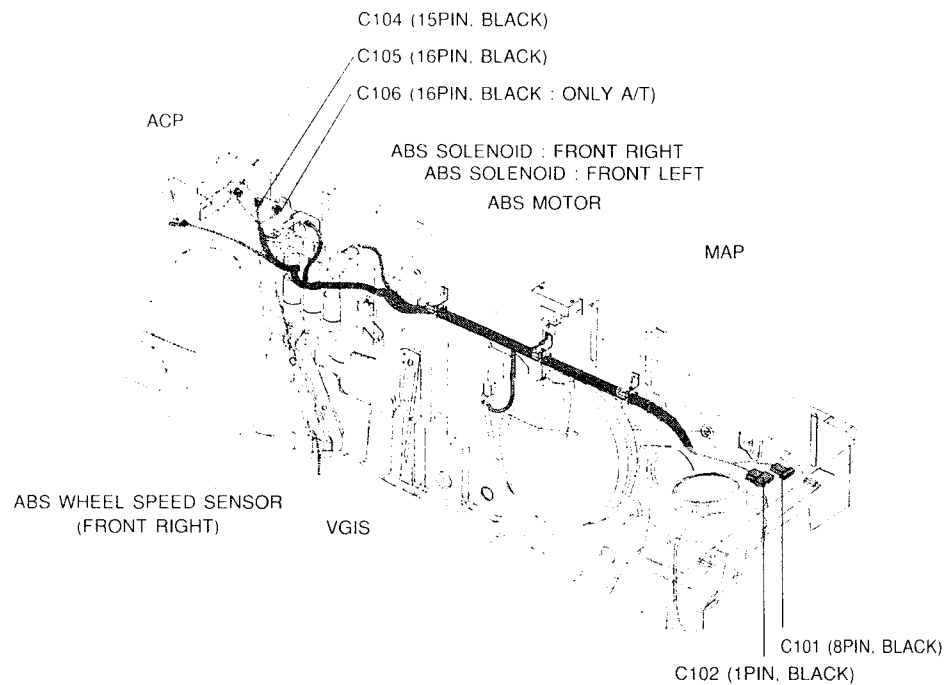
b. CONNECTOR IDENTIFICATION SYMBOL & PIN NUMBER POSITION



ENGINE ROOM FUSE BOX

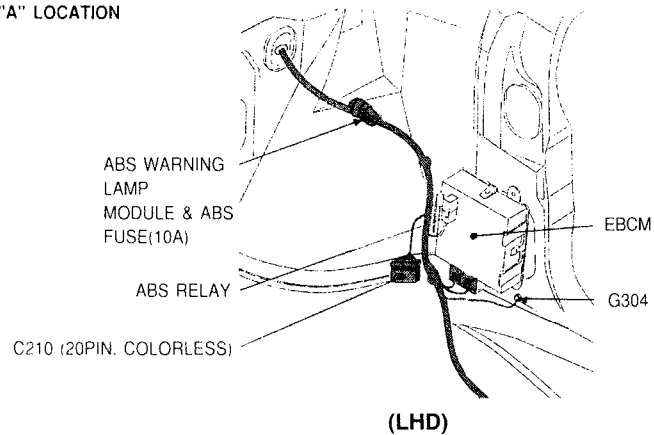
c. POSITION OF CONNECTORS AND GROUNDS

- W/H ECM & ABS
- ENGINE ROOM INSIDE

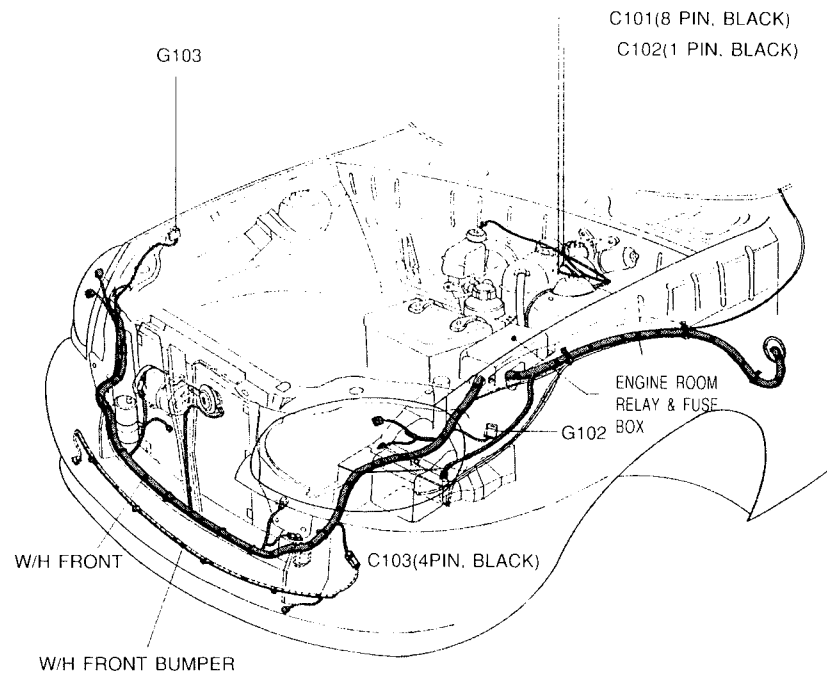


- W/H ECM & ABS

"A" LOCATION

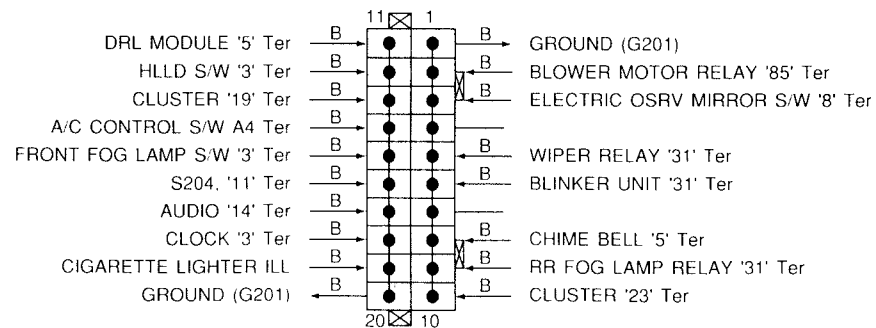


- W/H FRONT
- W/H FRONT BUMPER

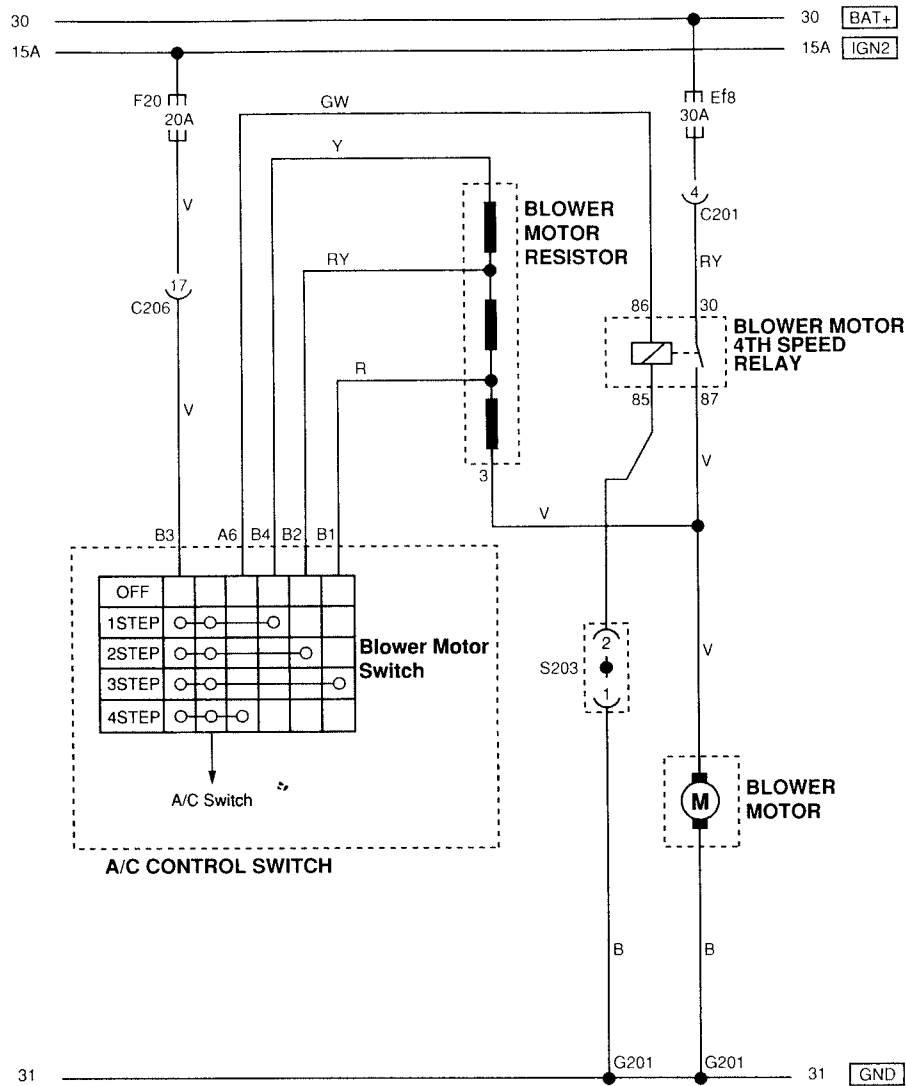


d. SPLICE PACK

S203(RED)



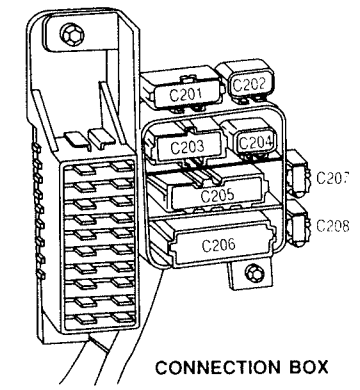
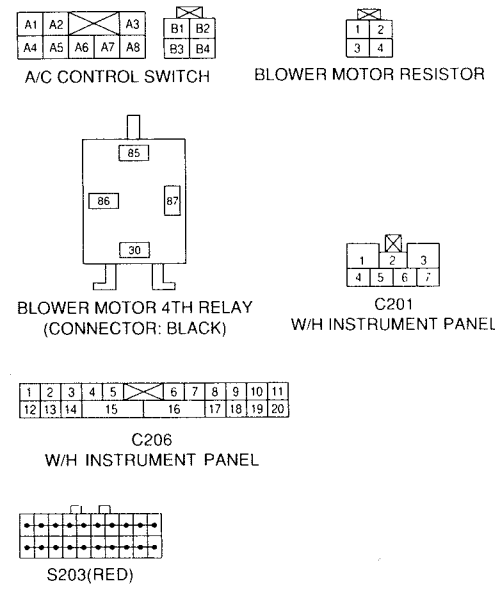
3) BLOWER MOTOR CIRCUIT



a. CONNECTOR INFORMATION

CONNECTOR(NO) (PIN NO. COLOR)	CONNECTING. WIRING HARNESS	CONNECTOR POSITION
C201(7PIN. GRAY)	W/H Front - IP	Connection Box Next to Passenger Room Fuse Box
C206(20PIN. COLORLESS)	W/H Floor - IP	Connection Box Next to Passenger Room Fuse Box
S203(20PIN. RED)	Splice pack	Next to Passenger Room Relay Box
G201	Ground	Below Right Front Console Box

b. CONNECTOR IDENTIFICATION SYMBOL & PIN NUMBER POSITION

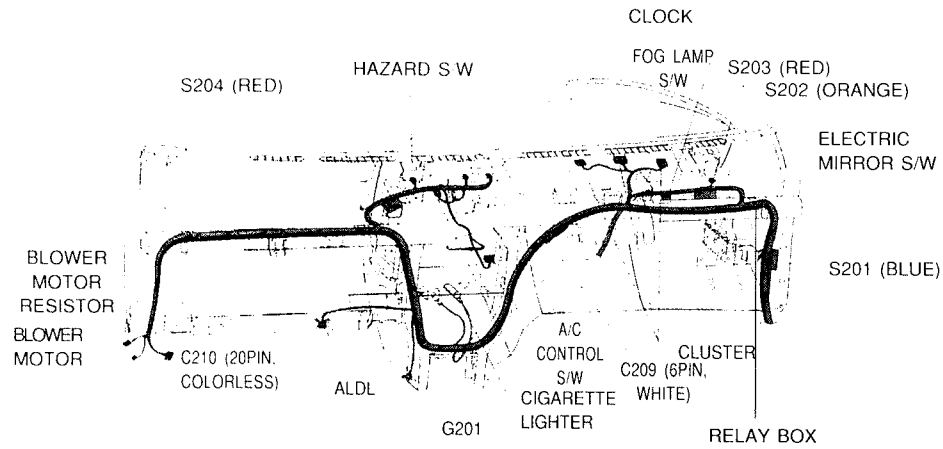


CONNECTION BOX

c. POSITION OF CONNECTORS AND GROUNDS

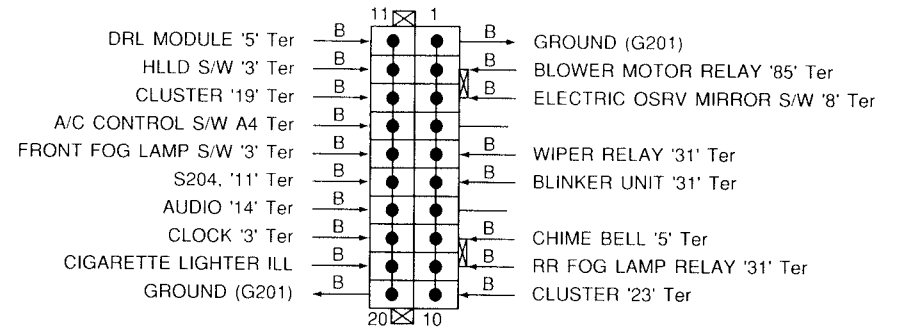
W/H IP

ENGINE PANEL INSIDE



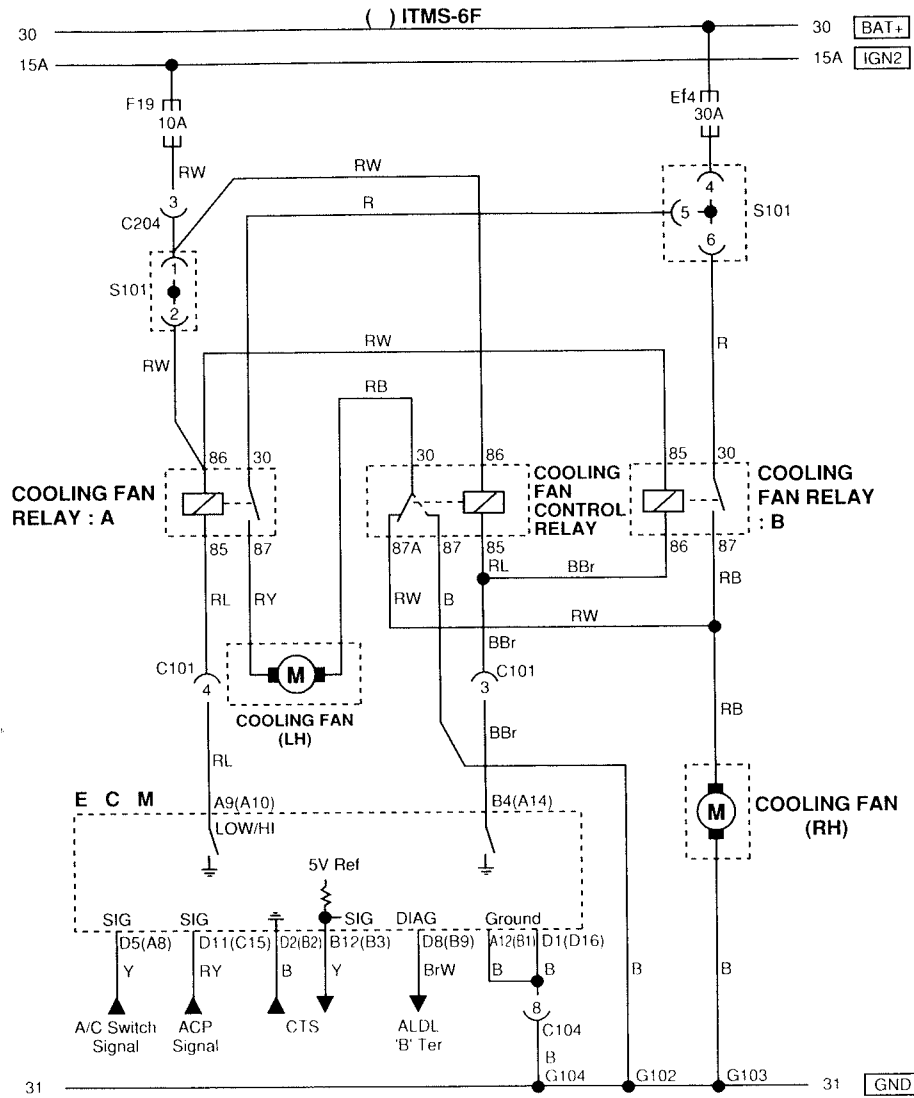
d. SPLICE PACK

S203(RED)



5. RADIATOR COOLING FAN

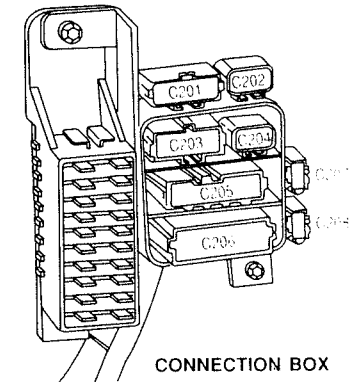
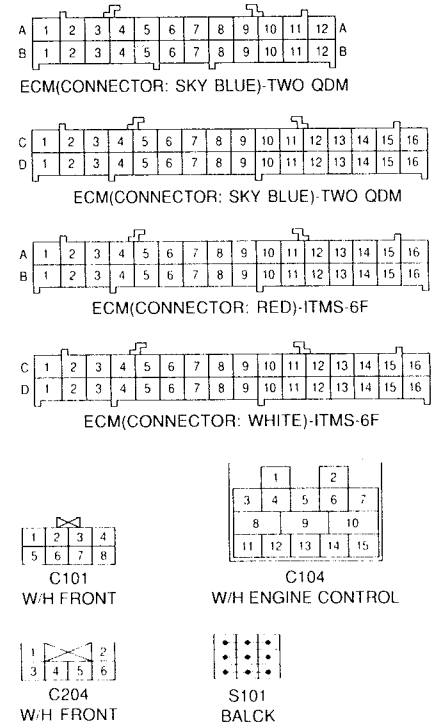
1) COOLING FAN CIRCUIT (W/AIR CONDITIONER)



a. CONNECTOR INFORMATION

CONNECTOR(NO) (PIN NO. COLOR)	CONNECTING. WIRING HARNESS	CONNECTOR POSITION
C101(8PIN, BLACK)	W/H ECM & ABS - Front	Below Engine Coolant Surge Tank
C104(15PIN, BLACK)	W/H ECM & ABS - Engine Control	Behind Right Strut Mounting
C204(6PIN, WHITE)	W/H Front - Floor	Connection Box Next to Passenger Room Fuse Box
C101(9PIN, BLACK)	Splice Pack	Engine Room Relay And Fuse Box
G102	Ground	Fender Below Engine Room Fuse Box
G103	Ground	Fender Next to Air cleaner Housing
G104	Ground	Intake Manifold '4' Cylinder

b. CONNECTOR IDENTIFICATION SYMBOL & PIN NUMBER POSITION



ENGINE ROOM FUSE BOX

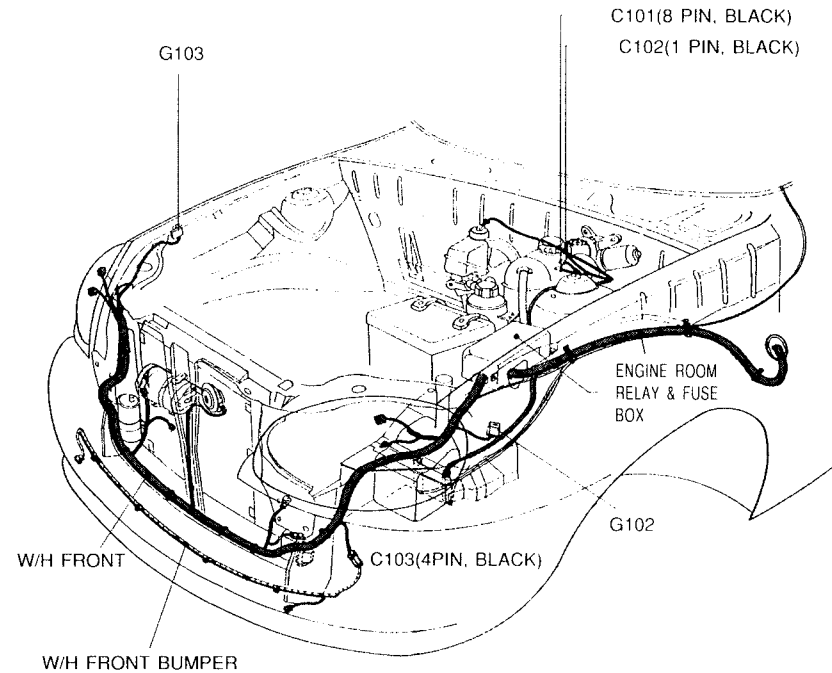
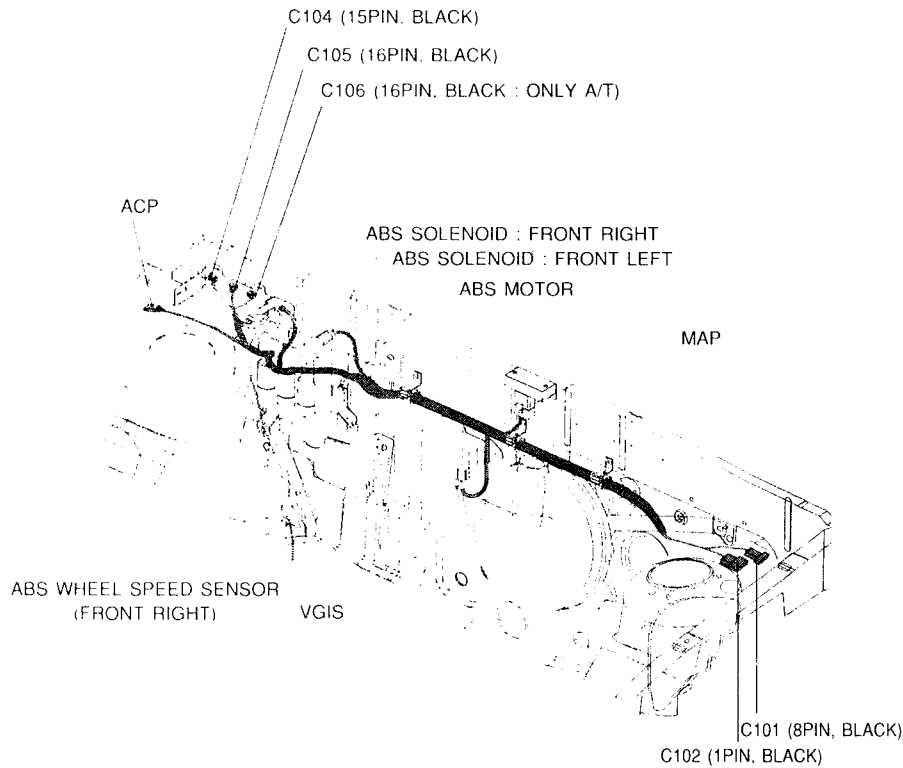
c. POSITION OF CONNECTORS AND GROUNDS

W/H ECM & ABS

ENGINE ROOM INSIDE

W/H FRONT

W/H FRONT BUMPER



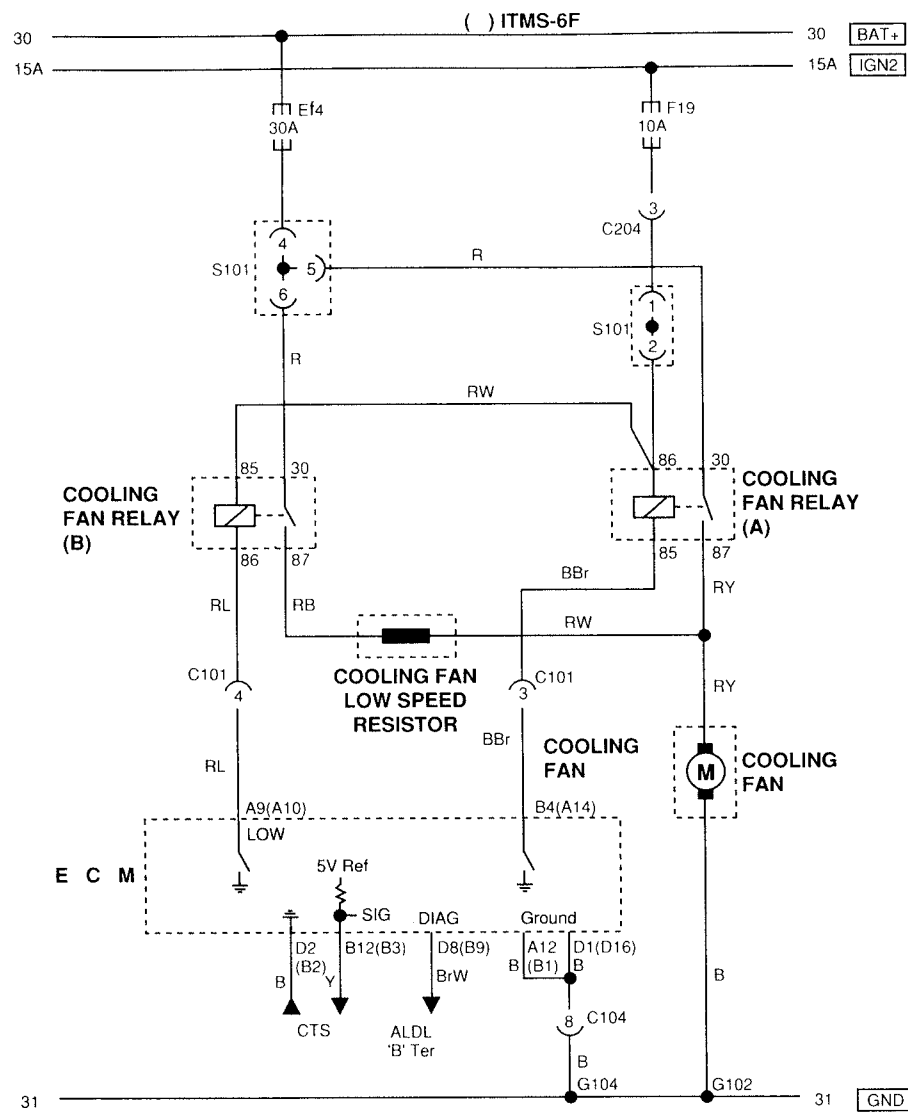
d. SPLICE PACK

S101(BLACK)

3 (RW)	6 (R)	9 (B)
2 (RW)	5 (R)	8 (B)
1 (RW)	4 (R)	7 (B)

1. IGN2(F19) POWER SUPPLY
A/C COMP. RELAY '86" Ter
COOLING FAN CONTROL RELAY "86" Ter
2. COOLING FAN RELAY A : '86" Ter
B : '86" Ter
3. REAR WINDOW DEFROSTER RELAY : '86" Ter
POWER WINDOW RELAY : '86" Ter
4. BATTERY POWER SUPPLY(Ef4)
5. COOLING FAN RELAY A : '30" Ter
6. COOLING FAN RELAY B : '30" Ter
7. GROUND(G102)
DIODE (D9)
8. HEAD LAMP & ILL. RELAY '85" Ter
POWER WINDOW RELAY '85" Ter
9. FR/FOG LAMP RELAY '85" Ter

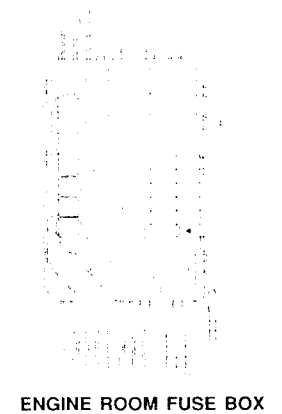
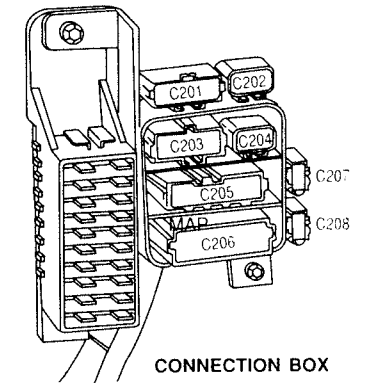
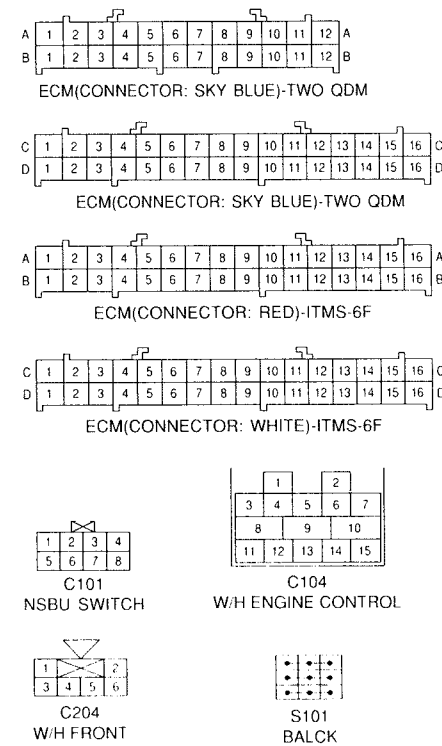
2) COOLING FAN CIRCUIT (W/O AIR CONDITIONER)



a. CONNECTOR INFORMATION

CONNECTOR(NO) (PIN NO. COLOR)	CONNECTING. WIRING HARNESS	CONNECTOR POSITION
C101 (8PIN. BLACK)	W/H ECM & ABS - Front	Below Engine Coolant Surge Tank
C104 (15PIN. BLACK)	W/H ECM & ABS - Engine Control	Behind Right Strut Mounting
C204 (6PIN. WHITE)	W/H Front - Floor	Connection Box Next to Passenger Room Fuse Box
S101 (9PIN. BLACK)	Splice Pack	Engine Room Relay And Fuse Box
G102	Ground	Fender Below Engine Room Fuse Box
G104	Ground	Intake Manifold #4' Cylinder

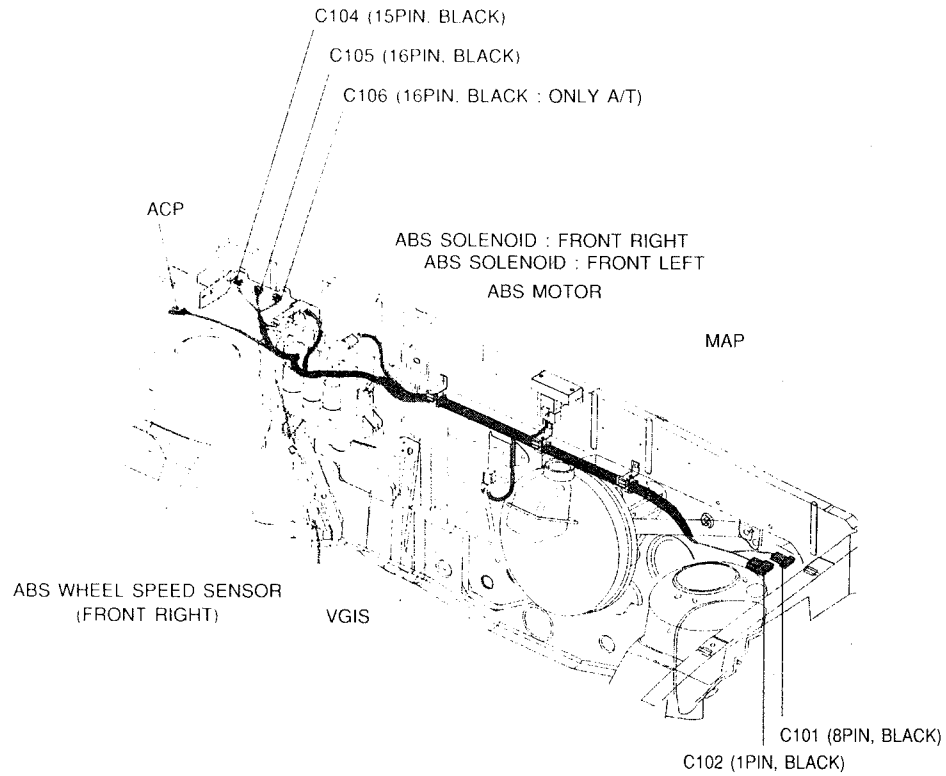
b. CONNECTOR IDENTIFICATION SYMBOL & PIN NUMBER POSITION



c. POSITION OF CONNECTORS AND GROUNDS

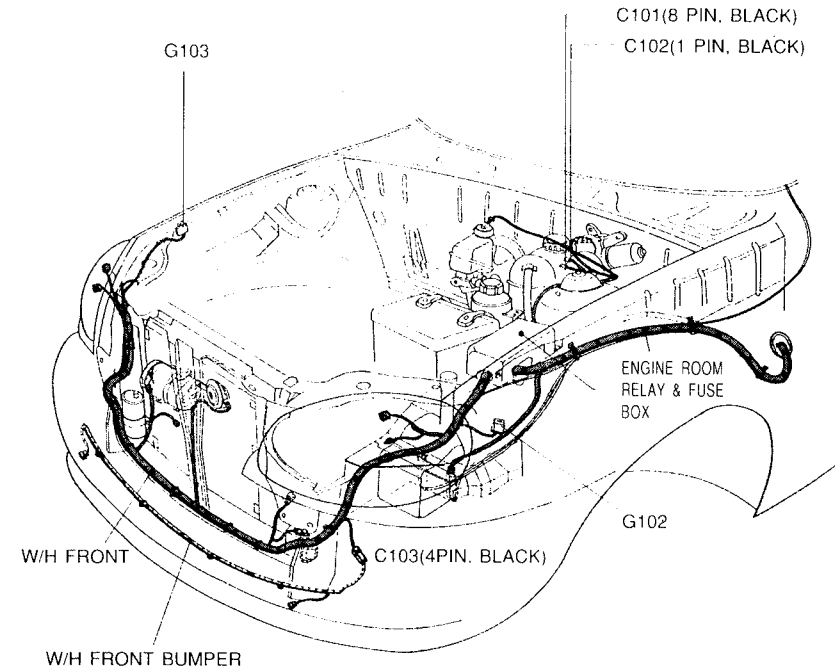
■ W/H ECM & ABS

• ENGINE ROOM INSIDE



■ W/H FRONT

□ W/H FRONT BUMPER



d. SPLICE PACK

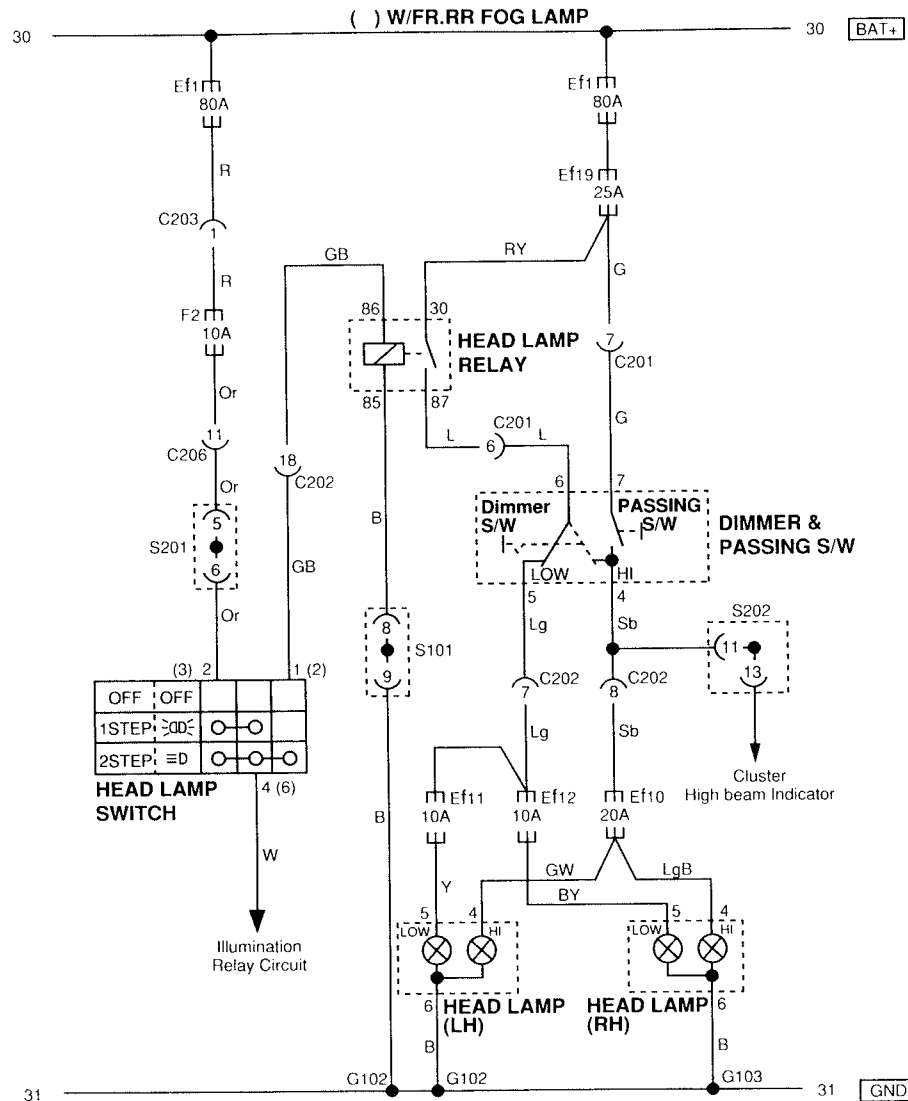
S101(BLACK)

3 (RW)	6 (R)	9 (B)
2 (RW)	5 (R)	8 (B)
1 (RW)	4 (R)	7 (B)

- IGN2(F19) POWER SUPPLY
A/C COMP. RELAY "86" Ter
COOLING FAN CONTROL RELAY "86" Ter
- COOLING FAN RELAY A : '86' Ter
B : '86' Ter
- REAR WINDOW DEFROSTER RELAY : '86' Ter
POWER WINDOW RELAY : '86' Ter
- BATTERY POWER SUPPLY(Ef4)
- COOLING FAN RELAY A : '30' Ter
- COOLING FAN RELAY B : '30' Ter
- GROUND(G102)
DIODE (D9)
- HEAD LAMP & ILL. RELAY '85' Ter
POWER WINDOW RELAY '85' Ter
- FR/FOG LAMP RELAY '85' Ter

6. HEAD LAMP

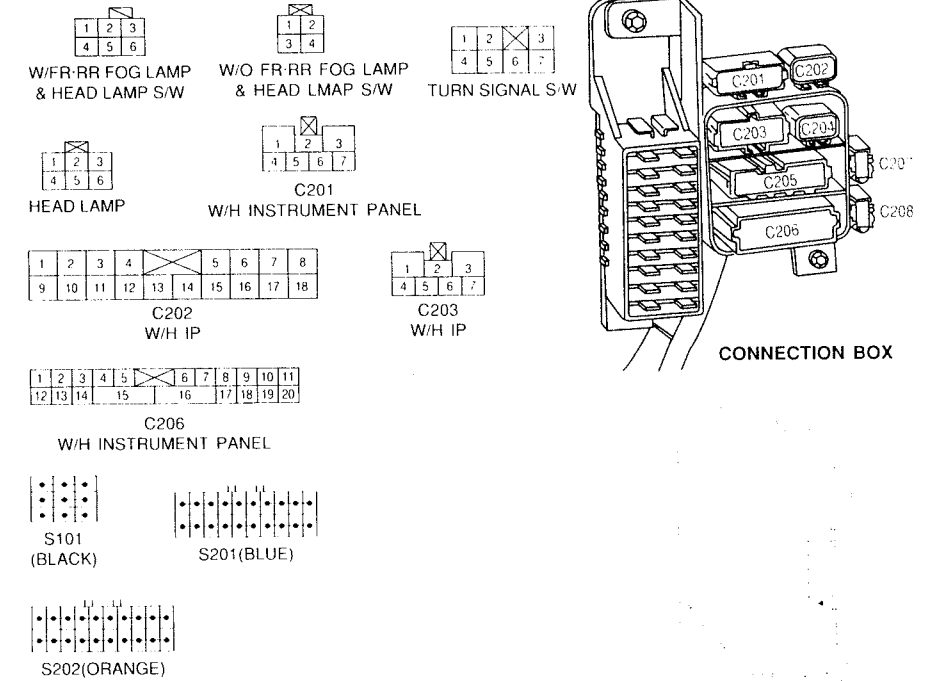
1) HEAD LAMP SWITCH. HEAD LAMP RELAY CIRCUIT



a. CONNECTOR INFORMATION

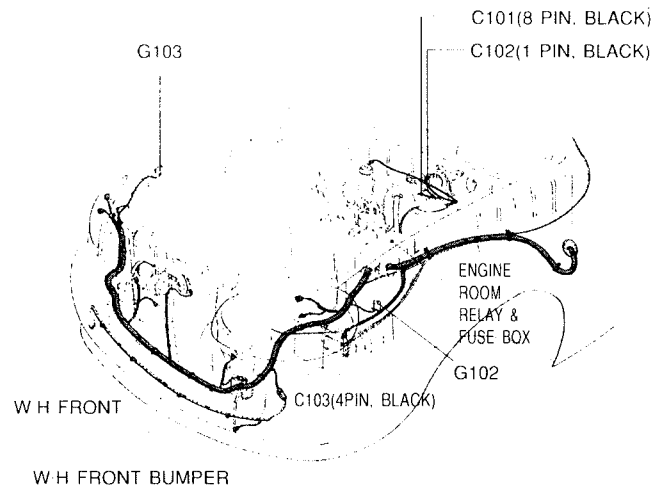
CONNECTOR(NO) (PIN NO. COLOR)	CONNECTING. WIRING HARNESS	CONNECTOR POSITION
C201(7PIN. GRAY)	W/H Front - IP	Connection Box Next to Passenger Room Fuse Box
C202 (18PIN. WHITE)	W/H Front - IP	Connection Box Next to Passenger Room Fuse Box
C203 (7PIN. BROWN)	W/H Front - Floor	Connection Box Next to Passenger Room Fuse Box
C206 (20PIN. COLORLESS)	W/H Front - IP	Connection Box Next to Passenger Room Fuse Box
S101 (9PIN. BLACK)	Splice Pack	Engine Room Relay And Fuse Box
S201 (20PIN. BLUE)	Splice Pack	Next to Passenger Room Relay Box
S202 (20PIN. ORANGE)	Splice Pack	Next to Passenger Room Relay Box
G102	Ground	Fender Below Engine Room Fuse Box
G103	Ground	Fender Next to Air Cleaner Mousing

b. CONNECTOR IDENTIFICATION SYMBOL & PIN NUMBER POSITION

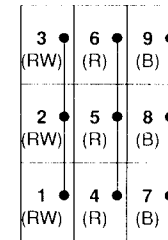


c. POSITION OF CONNECTORS AND GROUNDS

- W/H FRONT
- W/H FRONT BUMPER

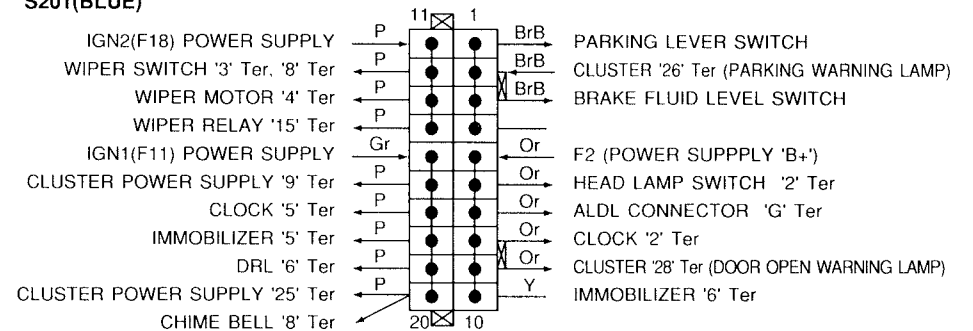


S101(BLACK)

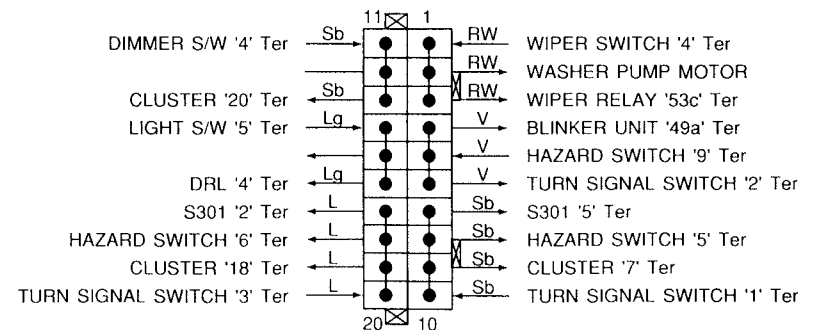


1. IGN2(F19) POWER SUPPLY
A C COMP. RELAY '86" Ter
COOLING FAN CONTROL RELAY '86" Ter
2. COOLING FAN RELAY A : '86' Ter
 B : '86' Ter
3. REAR WINDOW DEFROSTER RELAY : '86' Ter
POWER WINDOW RELAY : '86' Ter
4. BATTERY POWER SUPPLY(E4)
5. COOLING FAN RELAY A : '30' Ter
6. COOLING FAN RELAY B : '30' Ter
7. GROUND(G102)
DIODE (D9)
8. HEAD LAMP & ILL. RELAY '85' Ter
POWER WINDOW RELAY '85' Ter
9. FR/FOG LAMP RELAY '85' Ter

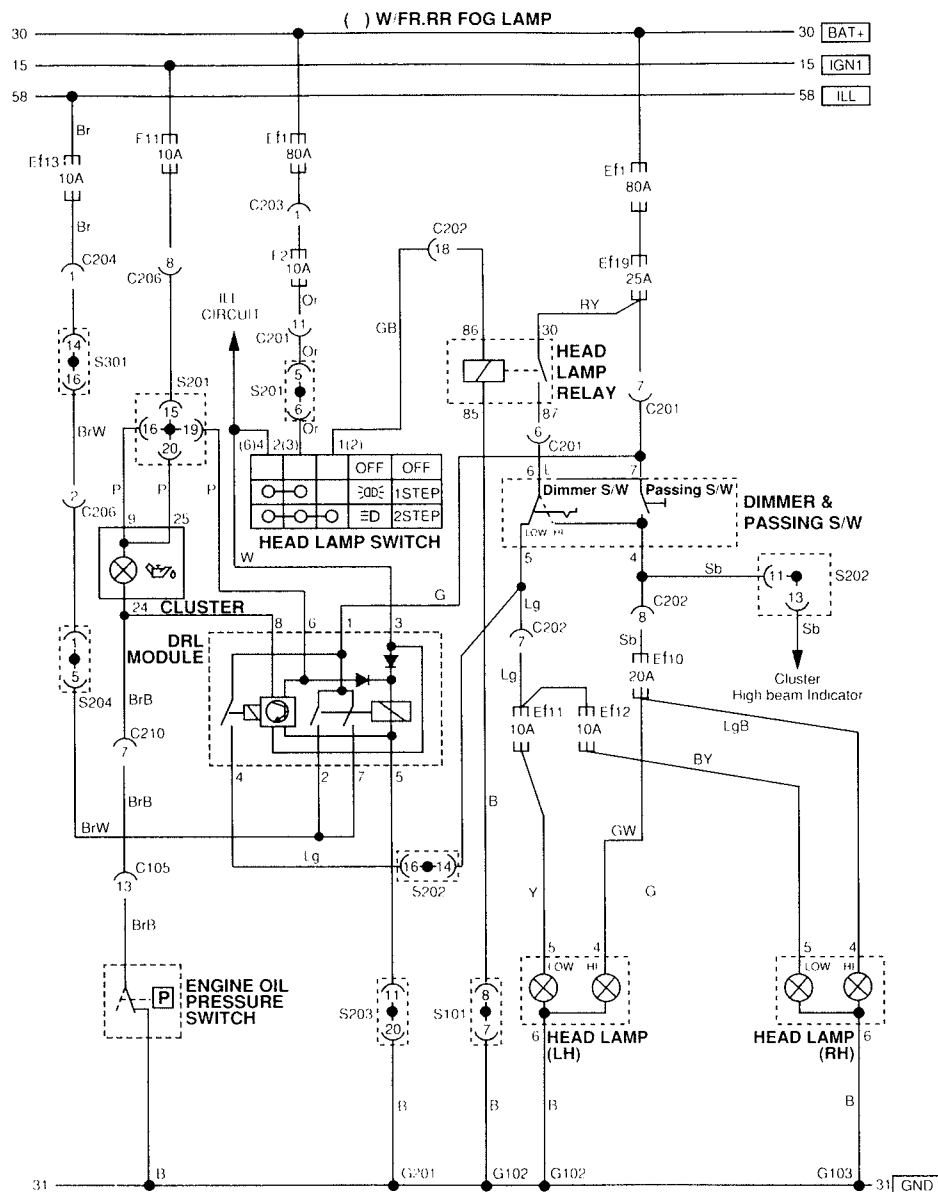
S201(BLUE)



S202(ORANGE)



6-1. HEAD LAMP & DRL(DAYTIME RUNNING LIGHT) CIRCUIT (LHD)



a. CONNECTOR INFORMATION



CONNECTOR(NO) (PIN NO. COLOR)	CONNECTING. WIRING HARNESS	CONNECTOR POSITION
C105 (16PIN. BLACK)	W/H ECM & ABS - Engine Control	Behind Right Strut Mounting
C201 (7PIN. GRAY)	W/H Front - IP	Connection Box Next to Passenger Room Fuse Box
C202 (18PIN. WHITE)	W/H Front - IP	Connection Box Next to Passenger Room Fuse Box
C203 (7PIN. BROWN)	W/H Front - Floor	Connection Box Next to Passenger Room Fuse Box
C204 (6PIN. WHITE)	W/H Front - Floor	Connection Box Next to Passenger Room Fuse Box
C206 (20PIN. COLORLESS)	W/H Front - IP	Connection Box Next to Passenger Room Fuse Box
C210 (20PIN. COLORLESS)	W/H ECM & ABS - IP	Below Glove Box (Right Side Panel)
S101 (9PIN. BLACK)	Splice Pack	Engine Room Relay And Fuse Box
S201 (20PIN. BLUE)	Splice Pack	Next to Passenger Room Relay Box
S202 (20PIN. ORANGE)	Splice Pack	Next to Passenger Room Relay Box
S203 (20PIN. RED)	Splice Pack	Next to Passenger Room Relay Box
S204 (20PIN. RED)	Splice Pack	Above Glove Box
S301 (20PIN. ORANGE)	Splice Pack	Below Driver Seat
G102	Ground	Fender Below Engine Room Fuse Box
G103	Ground	Fender Next to Air Cleaner Mousing
G201	Ground	Below Right Front Console Box

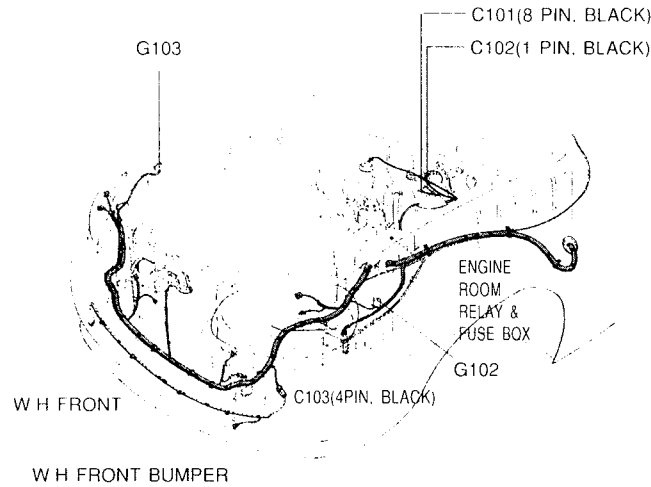
b. CONNECTOR IDENTIFICATION SYMBOL & PIN NUMBER POSITION

CONNECTION BOX

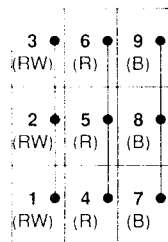
ENGINE ROOM FUSE BOX

c. POSITION OF CONNECTORS AND GROUNDS

-  W/H FRONT
-  W/H FRONT BUMPER

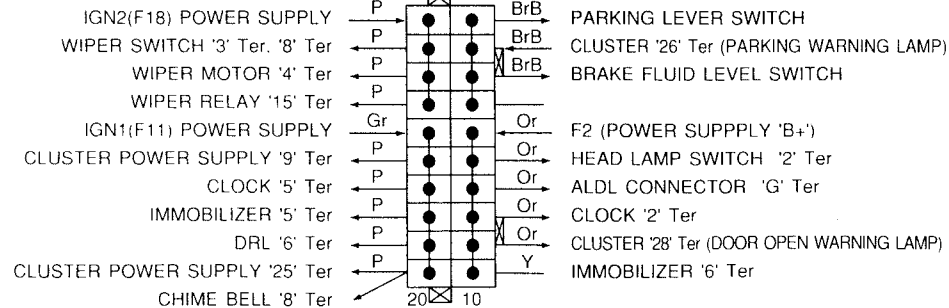


S101(BLACK)

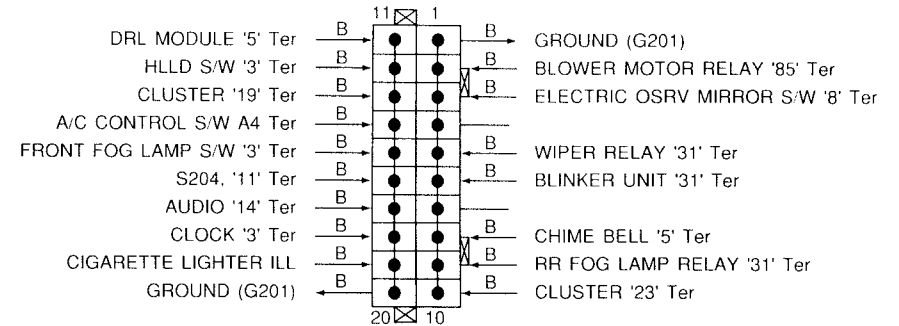


1. IGN2(F19) POWER SUPPLY
A/C COMP. RELAY "86" Ter
COOLING FAN CONTROL RELAY "86" Ter
2. COOLING FAN RELAY A : '86' Ter
B : '86' Ter
3. REAR WINDOW DEFROSTER RELAY : '86' Ter
POWER WINDOW RELAY : '86' Ter
4. BATTERY POWER SUPPLY(Ef4)
5. COOLING FAN RELAY A : '30' Ter
6. COOLING FAN RELAY B : '30' Ter
7. GROUND(G102)
DIODE (D9)
8. HEAD LAMP & ILL. RELAY '85' Ter
POWER WINDOW RELAY '85' Ter
9. FR/FOG LAMP RELAY '85' Ter

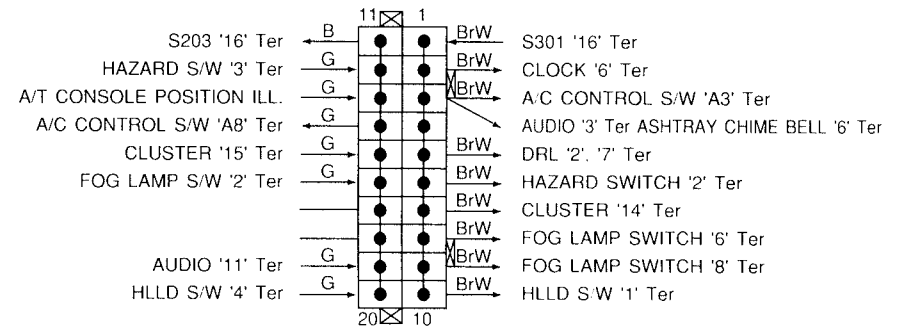
S201(BLUE)



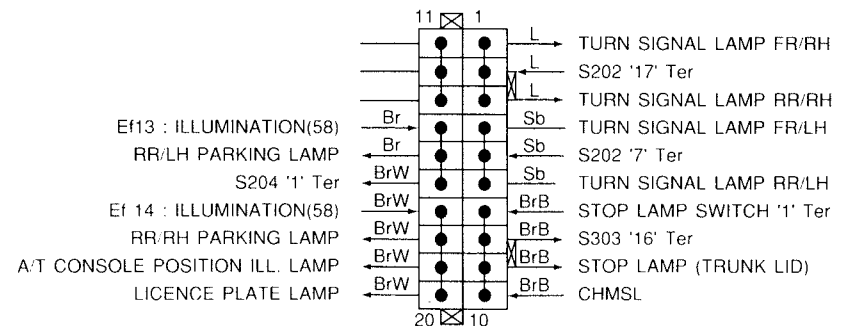
S203(RED)



S204(RED)



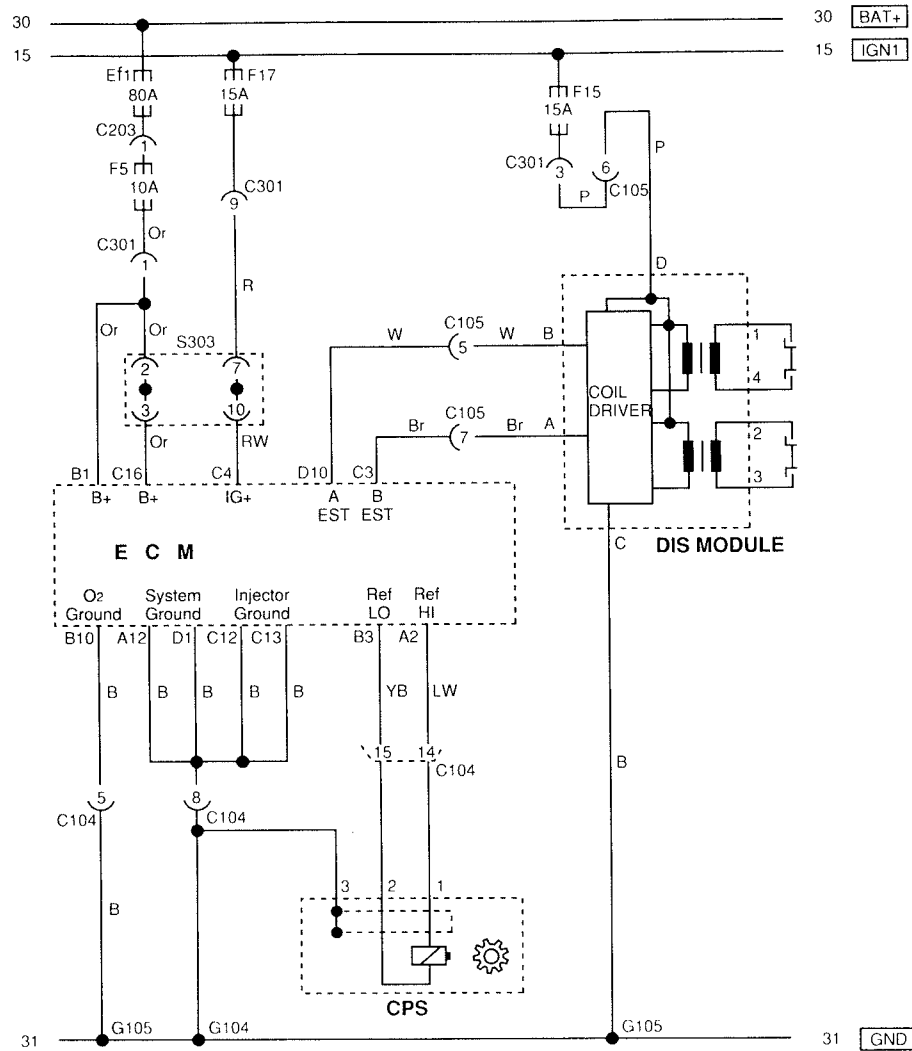
S301(ORANGE)



BLANK

2-1. ECM(ELECTRONIC CONTROL MODULE)

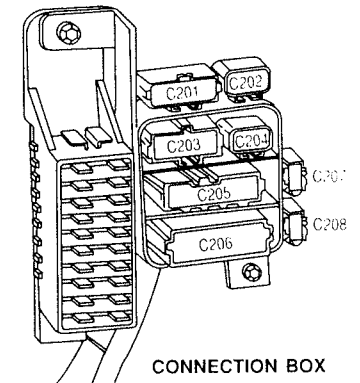
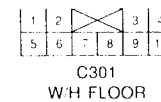
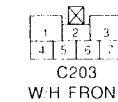
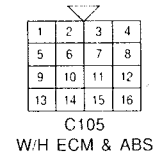
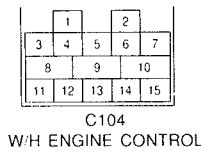
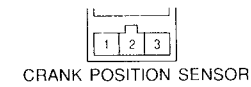
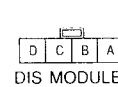
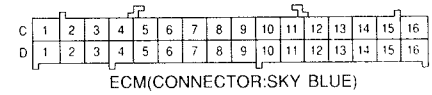
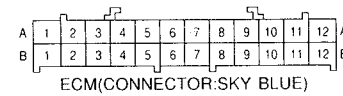
1) BATTERY POWER SUPPLY & GROUND. DIS. CPS. CIRCUIT - TWO QDM



a. CONNECTOR INFORMATION

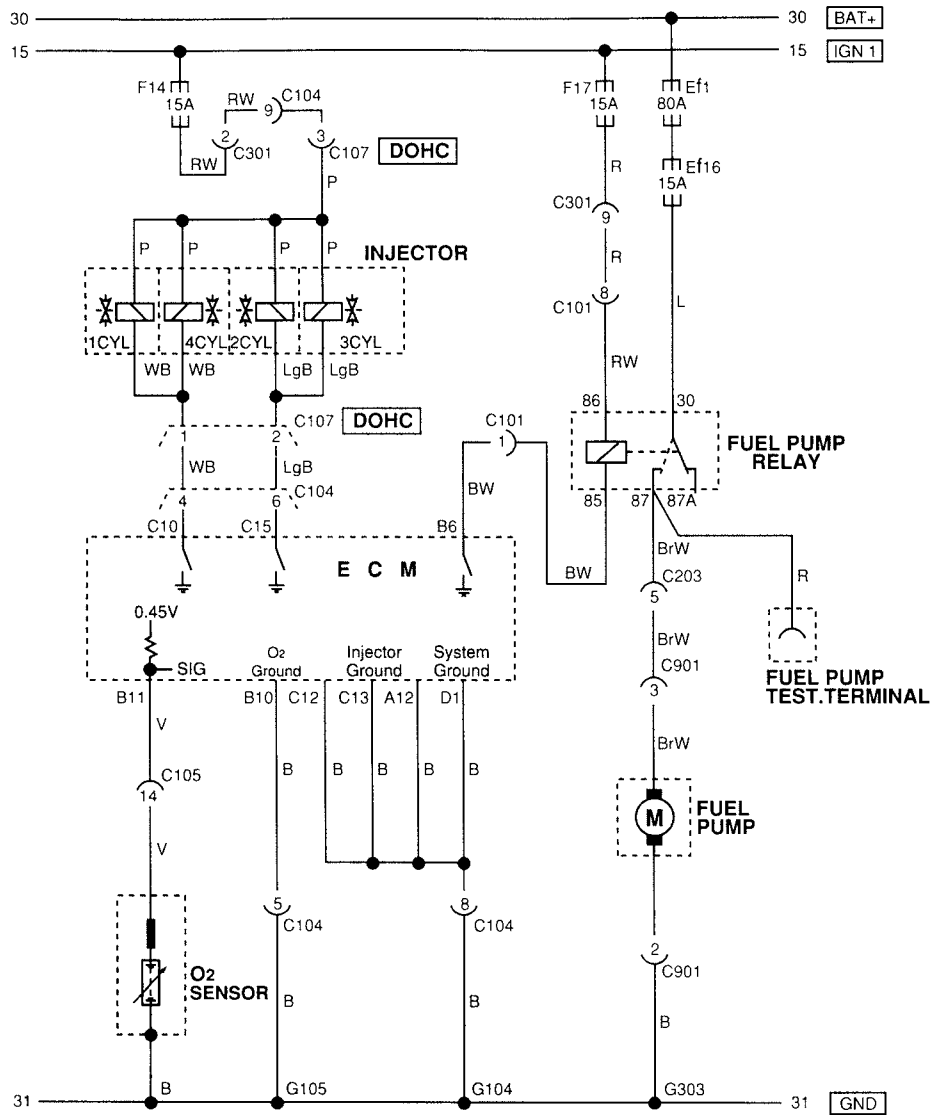
CONNECTOR(NO) (PIN NO. COLOR)	CONNECTING. WIRING HARNESS	CONNECTOR POSITION
C104(15PIN. BLACK)	W/H ECM & ABS - Engine Control	Behind Right Strut Mounting
C105(16PIN. BLACK)	W/H ECM & ABS - Engine Control	Behind Right Strut Mounting
C203(7PIN. BROWN)	W/H Front - Floor	Connection Box Next to Passenger Room Fuse Box
C301(10PIN. WHITE)	W/H ECM & ABS - Floor	Below Co-Driver Seat
S303(20PIN. GRAY)	Splice Pack	Below Co-Driver Seat
G104	Ground	Intake Manifold #4' Cylinder.
G105	Ground	Above Flywheel Mounting

b. CONNECTOR IDENTIFICATION SYMBOL & PIN NUMBER POSITION



CONNECTION BOX

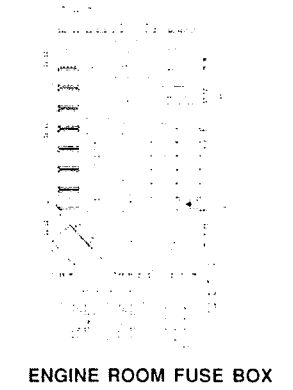
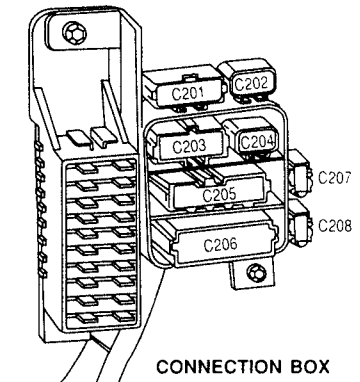
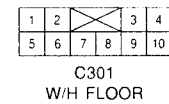
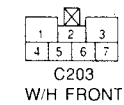
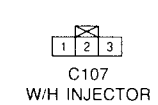
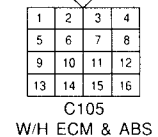
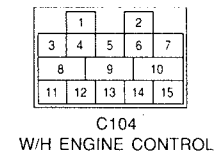
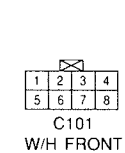
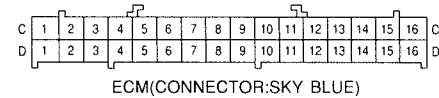
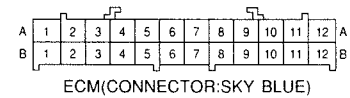
2) FUEL PUMP, INJECTOR, O2 SENSOR CIRCUIT (UNLEADED) - TWO QDM (SOHC, DOHC)



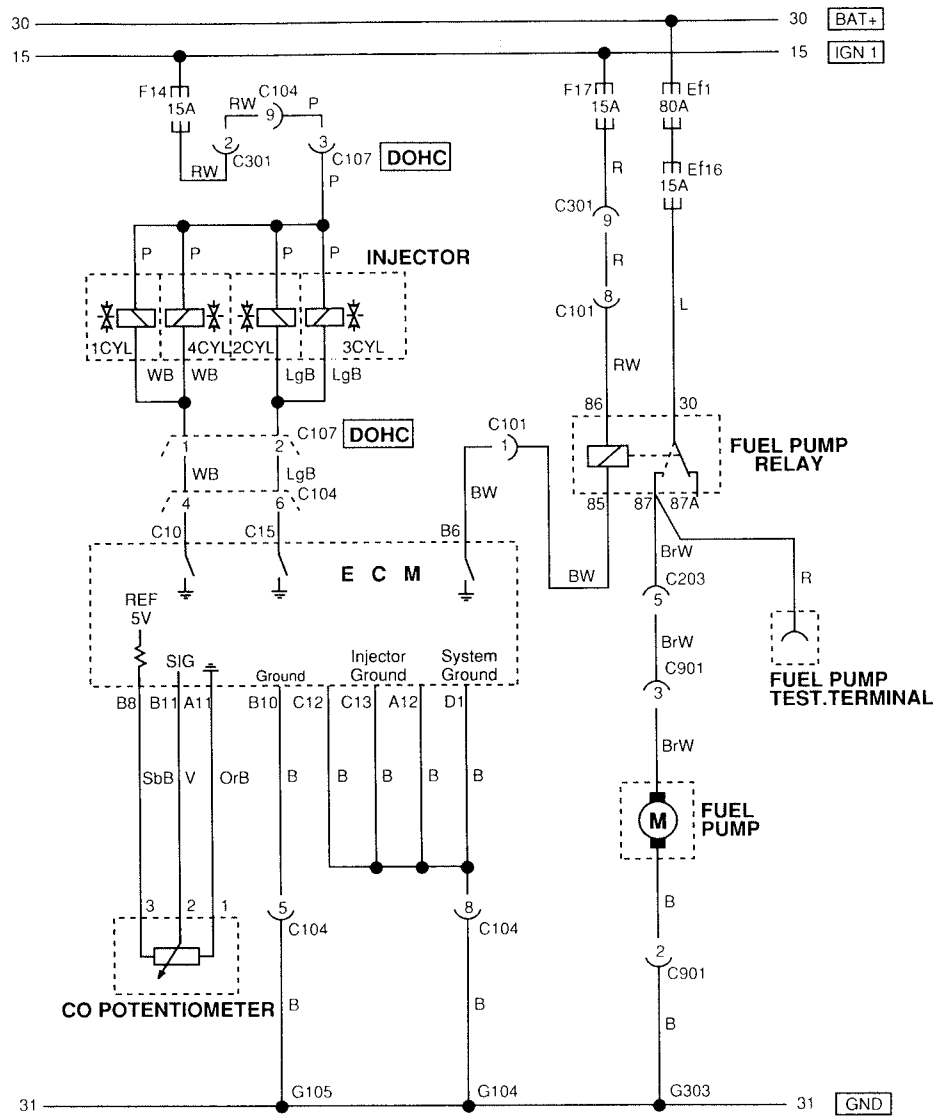
a. CONNECTOR INFORMATION

CONNECTOR(NO) (PIN NO. COLOR)	CONNECTING. WIRING HARNESS	CONNECTOR POSITION
C101(8PIN, BLACK)	W/H ECM & ABS - Front	Below Engine Coolant Surge Tank
C104(15PIN, BLACK)	W/H ECM & ABS - Engine Control	Behind Right Strut Mounting
C105(16PIN, BLACK)	W/H ECM & ABS - Engine Control	Behind Right Strut Mounting
C107(3PIN, BLACK)	W/H Engine Control - Injector(DOHC)	Below Throttle Valve Body
C203(7PIN, BROWN)	W/H Front - Floor	Connection Box Next To Passenger Room Fuse Box
C301(10PIN, WHITE)	W/H ECM & ABS - Floor	Below Co-Driver Sea
C901(6PIN, BLACK)	W/H Floor - Fuel Tank	Behind Fuel Tank
G104	Ground	Intake Manifold '#4' Cylinder
G105	Ground	Above Flywheel Housing
G303	Ground	Below Co-Driver Seat

b. CONNECTOR IDENTIFICATION SYMBOL & PIN NUMBER POSITION



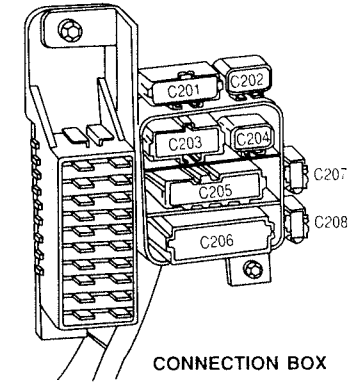
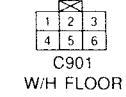
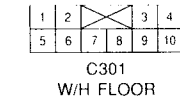
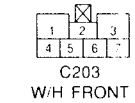
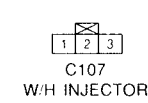
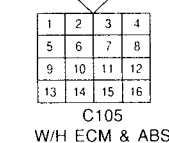
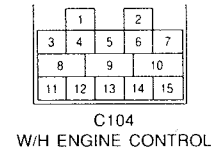
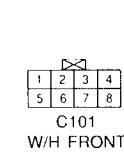
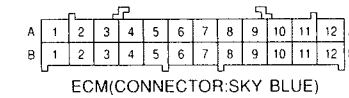
2-1) FUEL PUMP, INJECTOR, CO POTENTIO METER CIRCUIT (LEADED) - TWO QDM (SOHC, DOHC)



a. CONNECTOR INFORMATION

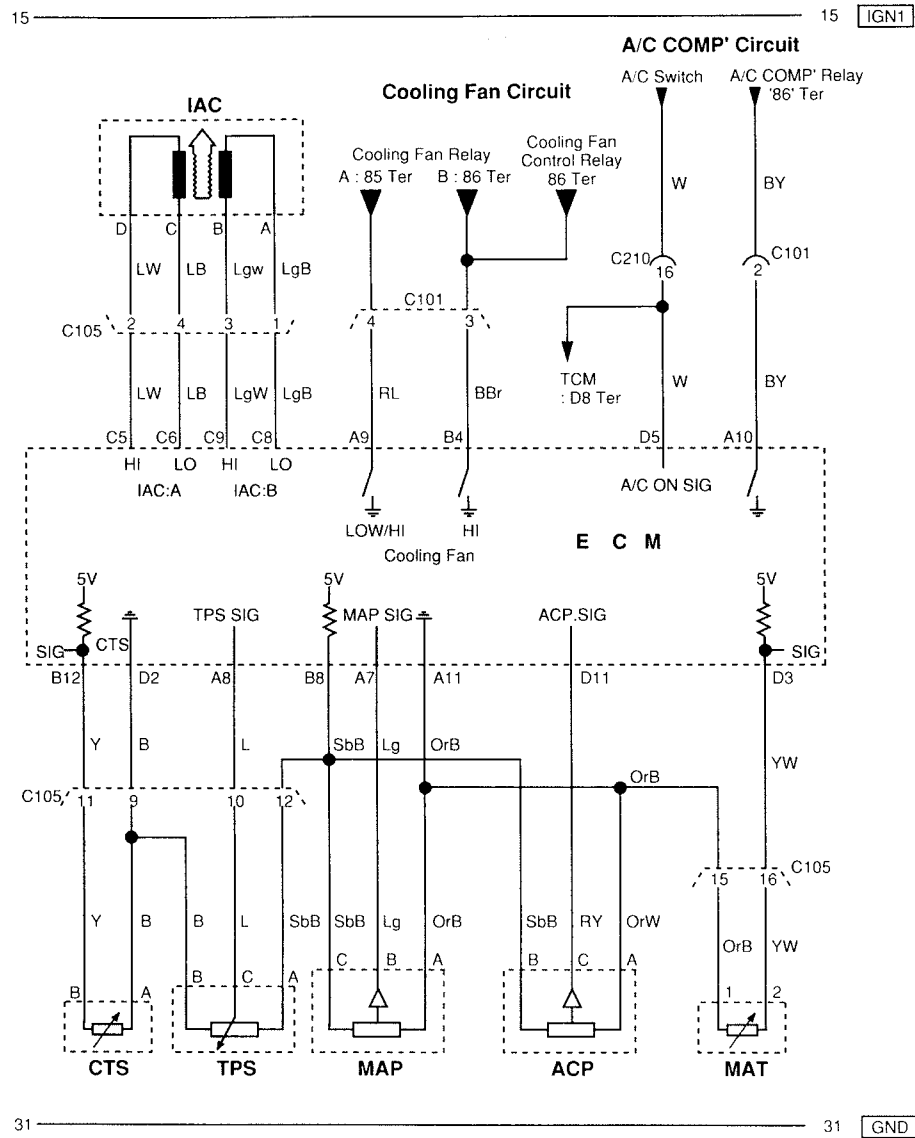
CONNECTOR(NO) (PIN NO. COLOR)	CONNECTING. WIRING HARNESS	CONNECTOR POSITION
C101(8PIN, BLACK)	W/H ECM & ABS - Front	Below Engine Coolant Surge Tank
C104(15PIN, BLACK)	W/H ECM & ABS - Engine Control	Behind Right Strut Mounting
C105(16PIN, BLACK)	W/H ECM & ABS - Engine Control	Behind Right Strut Mounting
C107(3PIN, BLACK)	W/H Engine Control - Injector(DOHC)	Below Throttle Valve Body
C203(7PIN, BROWN)	W/H Front - Floor	Connection Box Next To Passenger Room Fuse Box
C301(10PIN, WHITE)	W/H ECM & ABS - Floor	Below Co-Driver Sea
C901(6PIN, BLACK)	W/H Floor - Fuel Tank	Behind Fuel Tank
G104	Ground	Intake Manifold '4' Cylinder
G105	Ground	Above Flywheel Housing
G303	Ground	Below Co-Driver Seat

b. CONNECTOR IDENTIFICATION SYMBOL & PIN NUMBER POSITION



ENGINE ROOM FUSE BOX

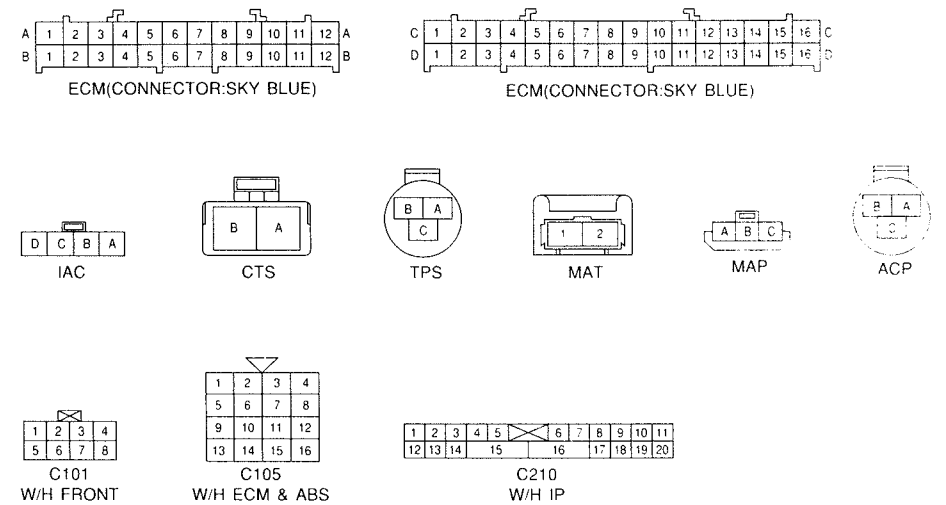
3) IAC. CTS. TPS. MAP. ACP. MAT. CIRCUIT - TWO QDM



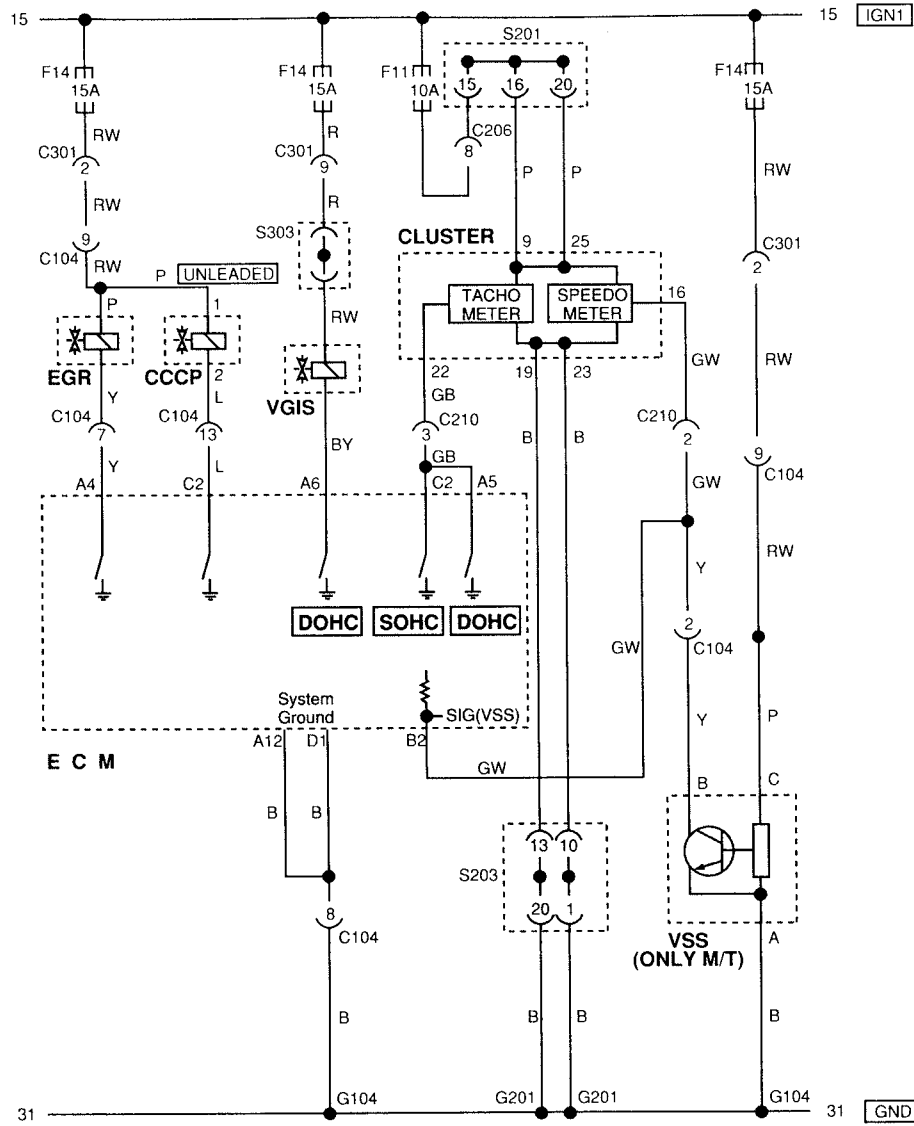
a. CONNECTOR INFORMATION

CONNECTOR(NO) (PIN NO. COLOR)	CONNECTING. WIRING HARNESS	CONNECTOR POSITION
C101(8PIN. BLACK)	W/H ECM & ABS - Front	Below Engine Coolant Surge Tank
C105(16PIN. BLACK)	W/H ECM & ABS - Engine Control	Behind Right Strut Mounting
C210(20PIN. COLORLESS)	W/H ECM & ABS - IP	Below Glove Box (Right Side Panel)

b. CONNECTOR IDENTIFICATION SYMBOL & PIN NUMBER POSITION



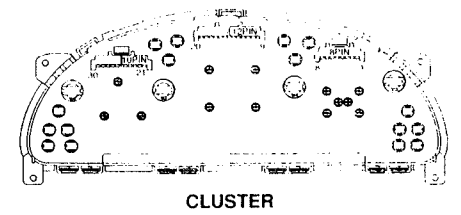
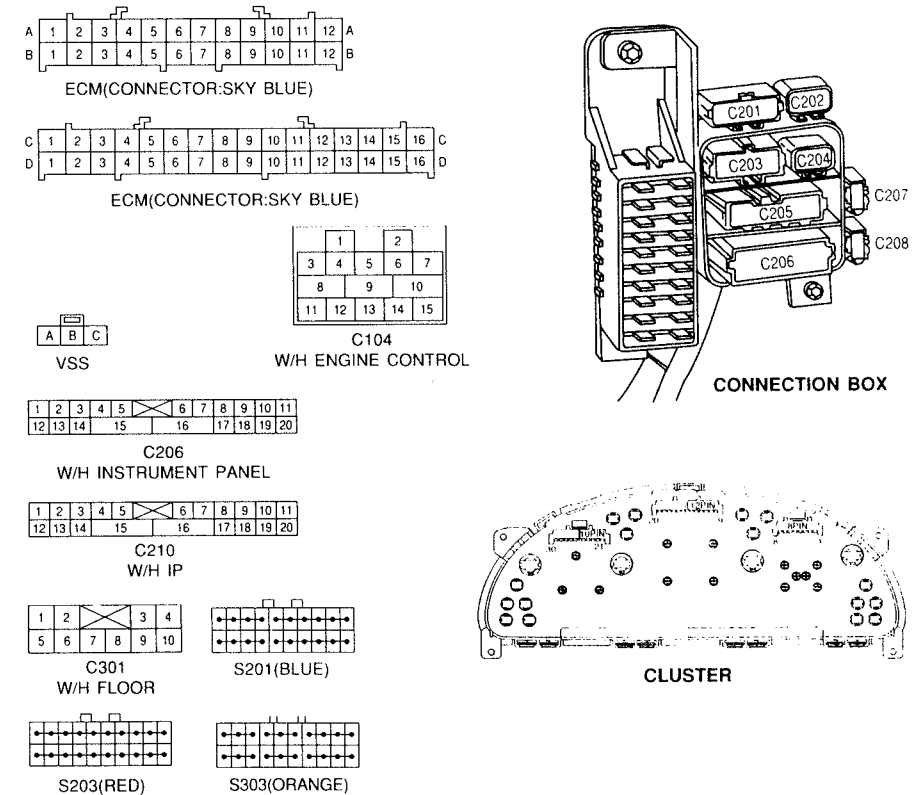
4) CCCP. VSS. EGR CIRCUIT (ONLY M/T) - TWO QDM



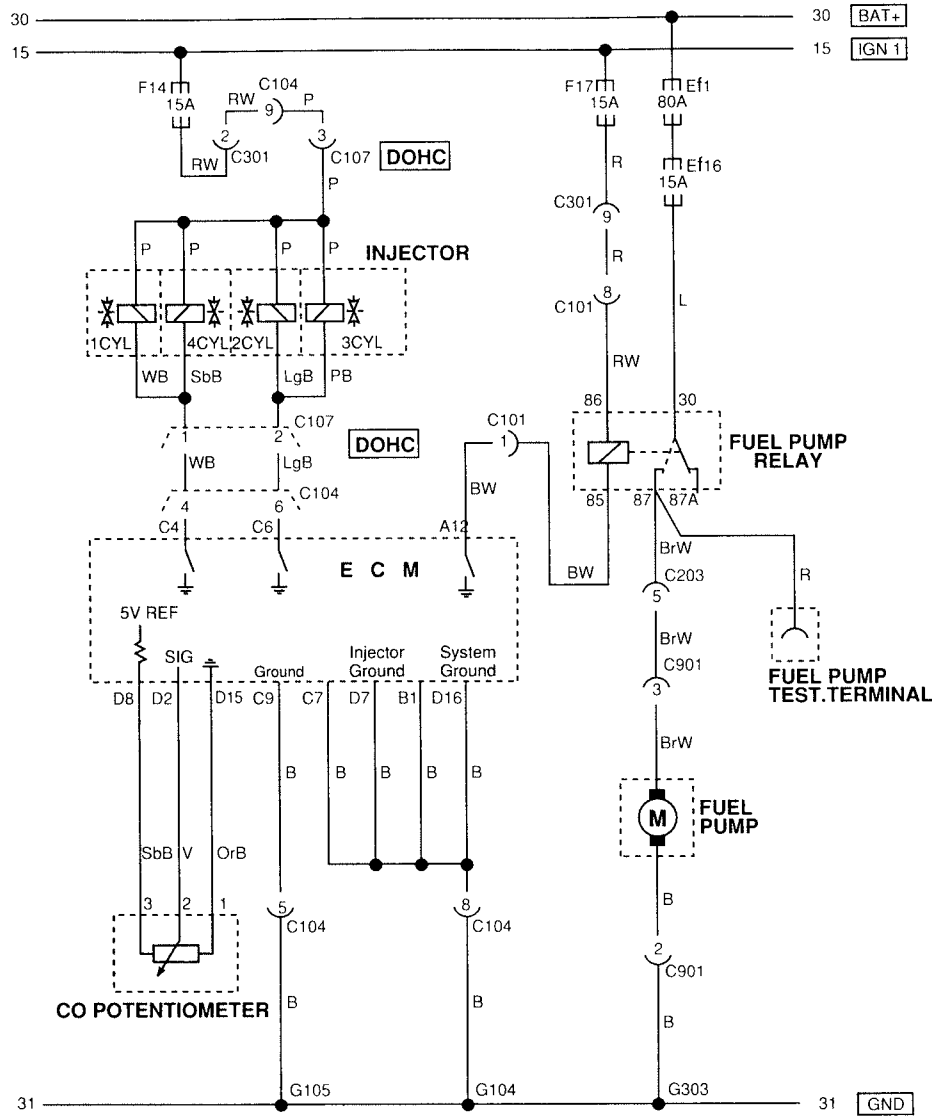
a. CONNECTOR INFORMATION

CONNECTOR(NO) (PIN NO. COLOR)	CONNECTING. WIRING HARNESS	CONNECTOR POSITION
C104(15PIN, BLACK)	W/H ECM & ABS - Engine Control	Behind Right Strut Mounting
C206(20PIN, COLORLESS)	W/H Floor - IP	Connection Box Next to Passenger Room Fuse Box
C210(20PIN, COLORLESS)	W/H ECM & ABS - IP	Below Glove Box (Right Side Panel)
C301(10PIN, WHITE)	W/H ECM & ABS - Floor	Below Co-Driver Seat
S201(20PIN, BLUE)	Splice Pack	Next to Passenger Room Relay Box
S203(20PIN, RED)	Splice Pack	Next to Passenger Room Relay Box
S303(20PIN, GRAY)	Splice Pack	Below Co-Driver Seat
G104	Ground	Intake Manifold '#4' Cylinder
G201	Ground	Below Right Front Console Box

b. CONNECTOR IDENTIFICATION SYMBOL & PIN NUMBER POSITION



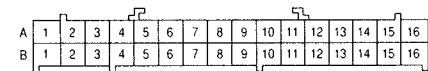
2-1) FUEL PUMP. INJECTOR. CO POTENTIOMETER CIRCUIT (LEADED)- ITMS - 6F (SOHC, DOHC)



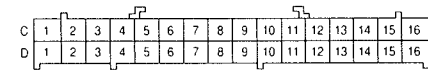
a. CONNECTOR INFORMATION

CONNECTOR(NO) (PIN NO. COLOR)	CONNECTING. WIRING HARNESS	CONNECTOR POSITION
C101(8PIN, BLACK)	W/H ECM & ABS - Front	Below Engine Coolant Surge Tank
C104(15PIN, BLACK)	W/H ECM & ABS - Engine Control	Behind Right Strut Mounting
C105(16PIN, BLACK)	W/H ECM & ABS - Engine Control	Behind Right Strut Mounting
C107(3PIN, BLACK)	W/H Engine Control - Injector(Only DOHC)	Below Throttle Valve Body
C203(7PIN, BROWN)	W/H Front - Floor	Connection Box Next to Passenger Room Fuse Box
C301(10PIN, WHITE)	W/H ECM & ABS - Floor	Below Co-Driver Seat
C901(6PIN, BLACK)	W/H Floor - Fuel Tank	Behind Fuel Tank
G104	Ground	Intake Manifold #4' Cylinder
G105	Ground	Above Flywheel Housing
G303	Ground	Below Co-Driver Seat

b. CONNECTOR IDENTIFICATION SYMBOL & PIN NUMBER POSITION



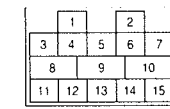
ECM(CONNECTOR: RED)



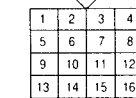
ECM(CONNECTOR: WHITE)



C101
W/H FRONT



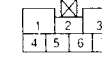
C104
W/H ENGINE CONTROL



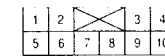
C105
W/H ECM & ABS



C107
W/H INJECTOR



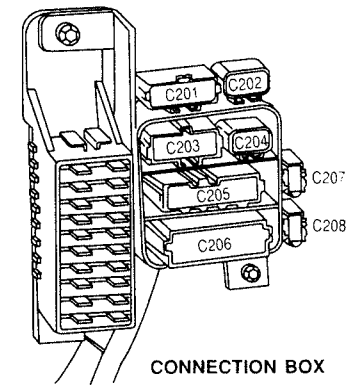
C203
W/H FRONT



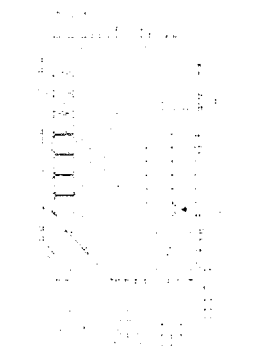
C301
W/H FLOOR



C901
W/H FLOOR



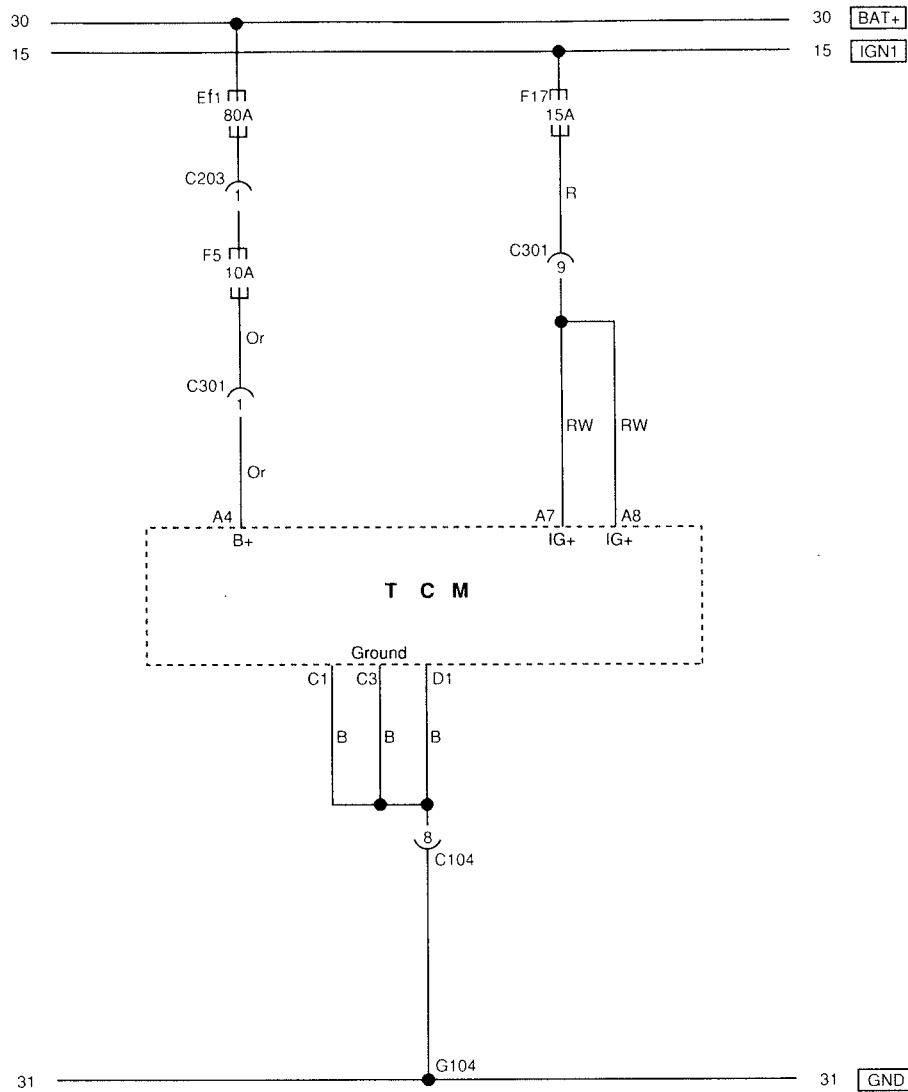
CONNECTION BOX



ENGINE ROOM FUSE BOX

3. TCM(TRANSMISSION CONTROL MODULE)

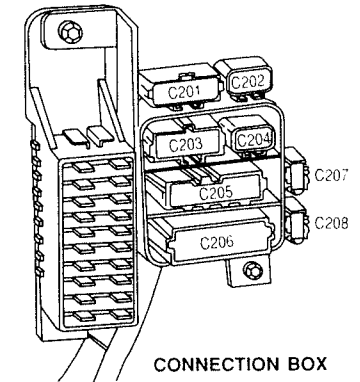
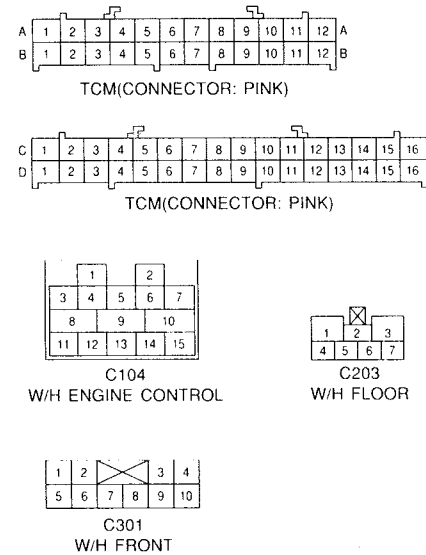
1) POWER SUPPLY & GROUND CIRCUIT



a. CONNECTOR INFORMATION

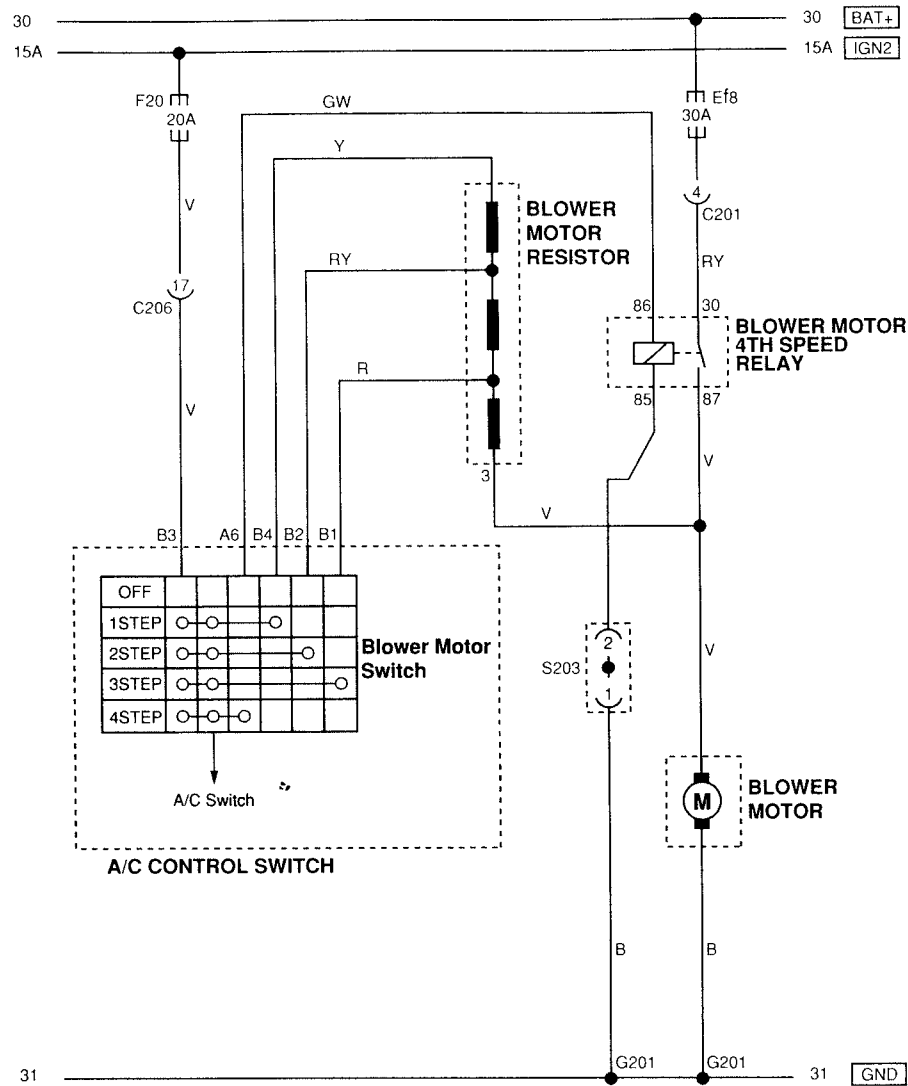
CONNECTOR(NO) (PIN NO. COLOR)	CONNECTING. WIRING HARNESS	CONNECTOR POSITION
C104(15PIN. BLACK)	W/H ECM & ABS - Engine Control	Behind Right Strut Mounting
C203(7PIN. BROWN)	W/H Front - Floor	Connection Box Next to Passenger Room Fuse Box
C301(10PIN. WHITE)	W/H ECM & ABS - Floor	Below Co-Driver Seat
G104	Ground	Intake Manifold '#4' Cylinder

b. CONNECTOR IDENTIFICATION SYMBOL & PIN NUMBER POSITION



CONNECTION BOX

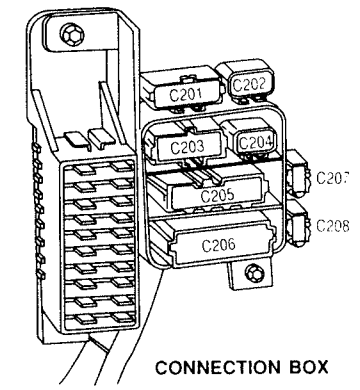
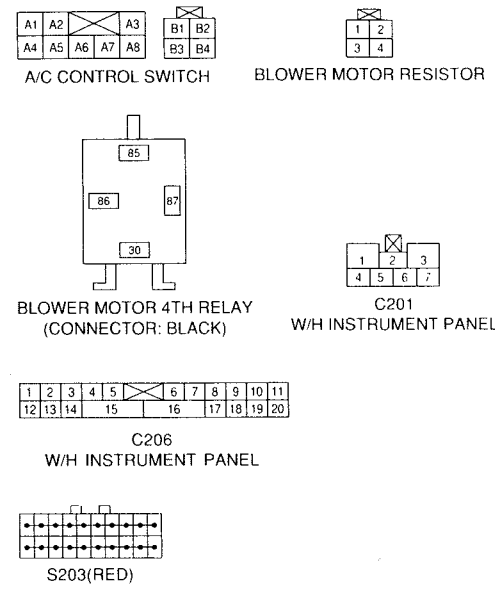
3) BLOWER MOTOR CIRCUIT



a. CONNECTOR INFORMATION

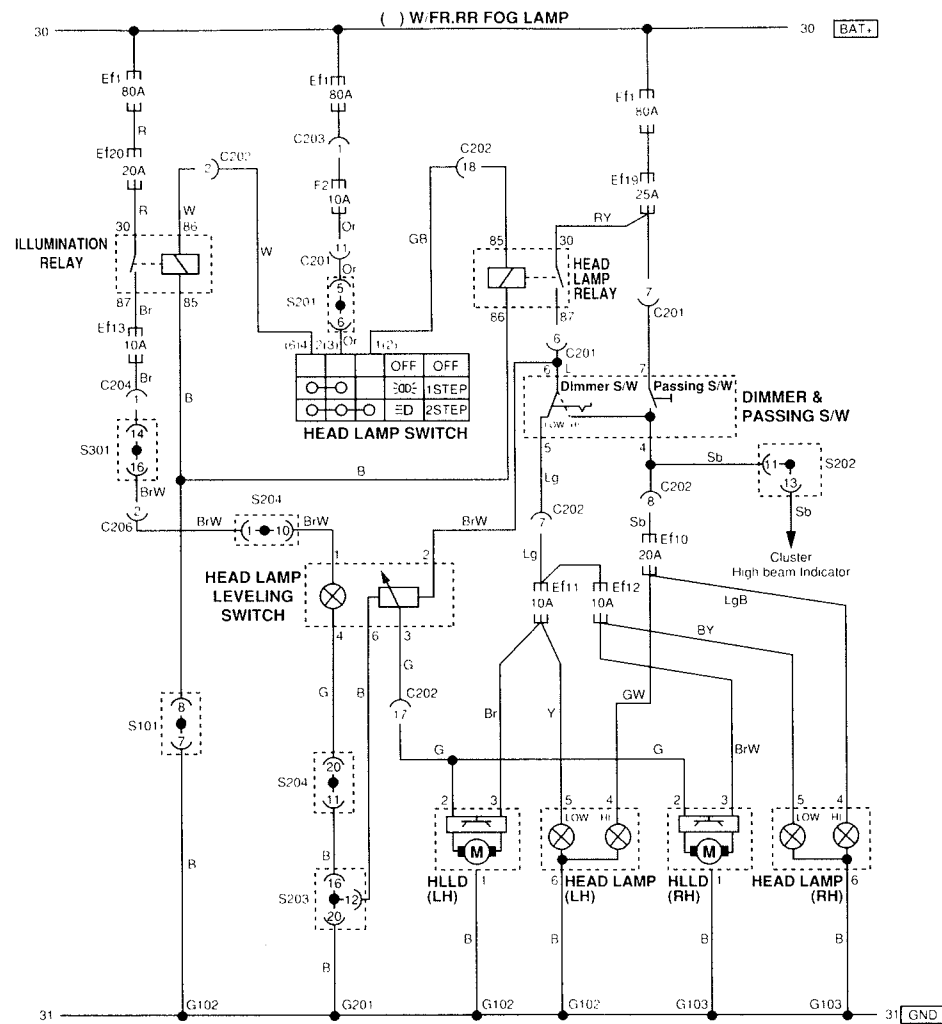
CONNECTOR(NO) (PIN NO. COLOR)	CONNECTING. WIRING HARNESS	CONNECTOR POSITION
C201(7PIN. GRAY)	W/H Front - IP	Connection Box Next to Passenger Room Fuse Box
C206(20PIN. COLORLESS)	W/H Floor - IP	Connection Box Next to Passenger Room Fuse Box
S203(20PIN. RED)	Splice pack	Next to Passenger Room Relay Box
G201	Ground	Below Right Front Console Box

b. CONNECTOR IDENTIFICATION SYMBOL & PIN NUMBER POSITION



CONNECTION BOX

6-2. HEAD LAMP LEVELING DEVICE (HLLD) CIRCUIT



a. CONNECTOR INFORMATION

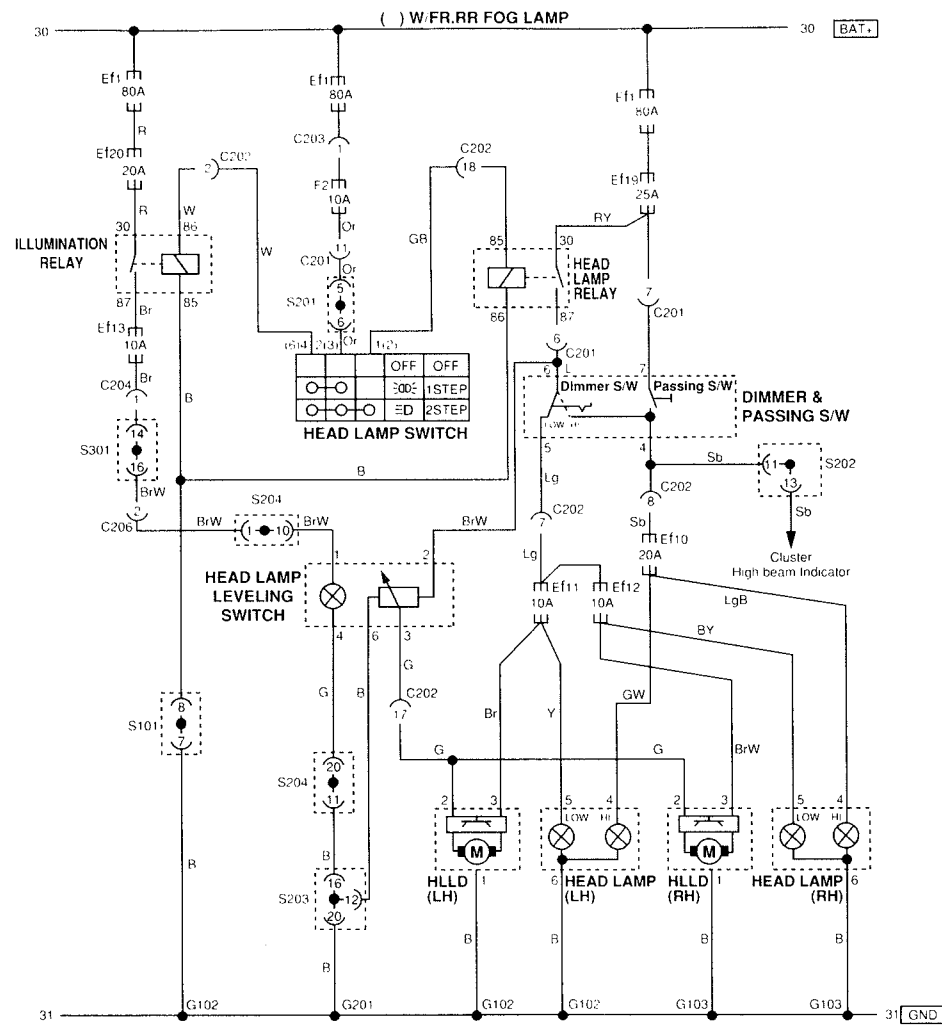
CONNECTOR(NO) (PIN NO. COLOR)	CONNECTING. WIRING HARNESS	CONNECTOR POSITION
C201 (7PIN. GRAY)	W/H Front - IP	Connection Box Next to Passenger Room Fuse Box
C202 (18PIN. WHITE)	W/H Front - IP	Connection Box Next to Passenger Room Fuse Box
C203 (7PIN. BROWN)	W/H Front - Floor	Connection Box Next to Passenger Room Fuse Box
C204 (6PIN. WHITE)	W/H Front - Floor	Connection Box Next to Passenger Room Fuse Box
C206 (20PIN. COLORLESS)	W/H Front - IP	Connection Box Next to Passenger Room Fuse Box
S101 (9PIN. BLACK)	Splice Pack	Engine Room Relay And Fuse Box
S201 (20PIN. BLUE)	Splice Pack	Next to Passenger Room Relay Box
S203 (20PIN. RED)	Splice Pack	Next to Passenger Room Relay Box
S204 (20PIN. RED)	Splice Pack	Above Glove Box
S301 (20PIN. ORANGE)	Splice Pack	Below Driver Seat
G102	Ground	Fender Below Engine Room Fuse Box
G103	Ground	Fender Next to Air Cleaner Mousing
G201	Ground	Below Right Front Console Box

b. CONNECTOR IDENTIFICATION SYMBOL & PIN NUMBER POSITION

CONNECTION BOX

ENGINE ROOM FUSE BOX

6-2. HEAD LAMP LEVELING DEVICE (HLLD) CIRCUIT



a. CONNECTOR INFORMATION

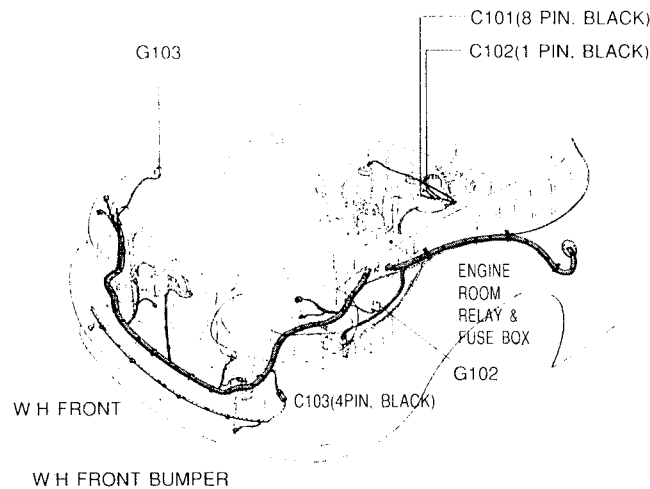
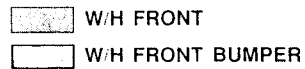
CONNECTOR(NO) (PIN NO. COLOR)	CONNECTING. WIRING HARNESS	CONNECTOR POSITION
C201 (7PIN. GRAY)	W/H Front - IP	Connection Box Next to Passenger Room Fuse Box
C202 (18PIN. WHITE)	W/H Front - IP	Connection Box Next to Passenger Room Fuse Box
C203 (7PIN. BROWN)	W/H Front - Floor	Connection Box Next to Passenger Room Fuse Box
C204 (6PIN. WHITE)	W/H Front - Floor	Connection Box Next to Passenger Room Fuse Box
C206 (20PIN. COLORLESS)	W/H Front - IP	Connection Box Next to Passenger Room Fuse Box
S101 (9PIN. BLACK)	Splice Pack	Engine Room Relay And Fuse Box
S201 (20PIN. BLUE)	Splice Pack	Next to Passenger Room Relay Box
S203 (20PIN. RED)	Splice Pack	Next to Passenger Room Relay Box
S204 (20PIN. RED)	Splice Pack	Above Glove Box
S301 (20PIN. ORANGE)	Splice Pack	Below Driver Seat
G102	Ground	Fender Below Engine Room Fuse Box
G103	Ground	Fender Next to Air Cleaner Mousing
G201	Ground	Below Right Front Console Box

b. CONNECTOR IDENTIFICATION SYMBOL & PIN NUMBER POSITION

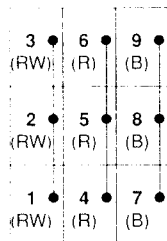
CONNECTION BOX

ENGINE ROOM FUSE BOX

c. POSITION OF CONNECTORS AND GROUNDS

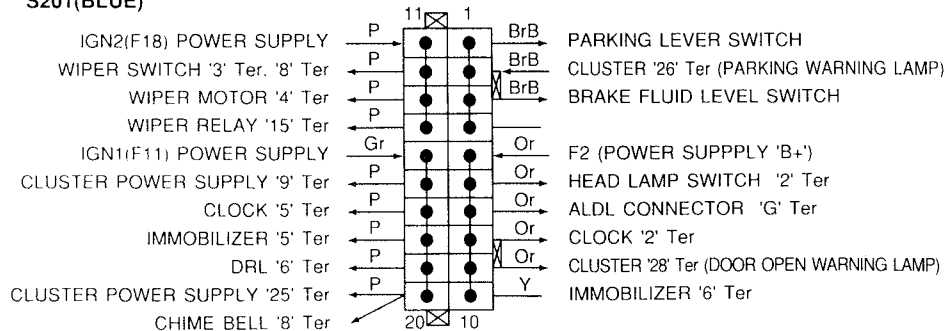


S101(BLACK)

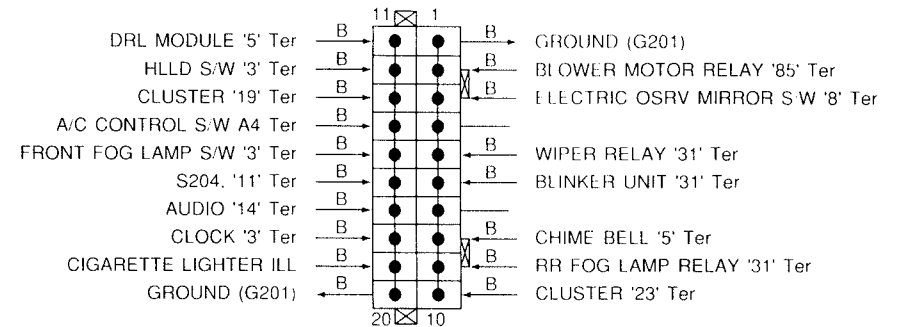


- IGN2(F19) POWER SUPPLY
A/C COMP. RELAY '86' Ter
COOLING FAN CONTROL RELAY '86" Ter
- COOLING FAN RELAY A : '86' Ter
B : '86' Ter
- REAR WINDOW DEFROSTER RELAY : '86' Ter
POWER WINDOW RELAY : '86' Ter
- BATTERY POWER SUPPLY(Ef4)
- COOLING FAN RELAY A : '30' Ter
- COOLING FAN RELAY B : '30' Ter
- GROUND(G102)
DIODE (D9)
- HEAD LAMP & ILL. RELAY '85' Ter
POWER WINDOW RELAY '85' Ter
- FR/FOG LAMP RELAY '85' Ter

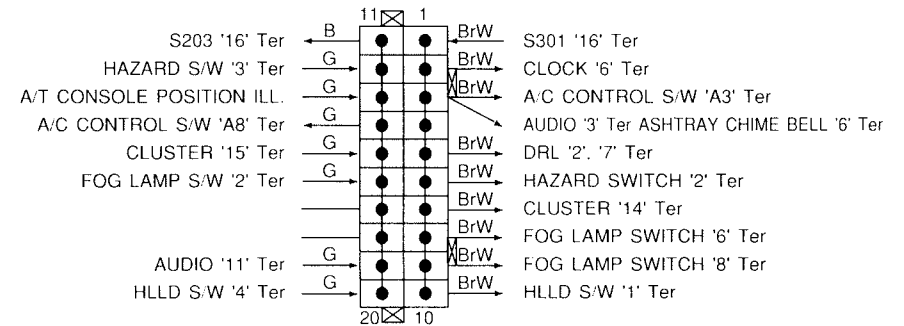
S201(BLUE)



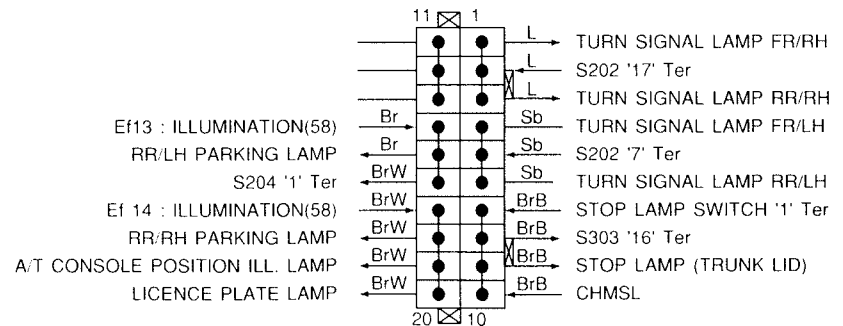
S203(RED)



S204(RED)

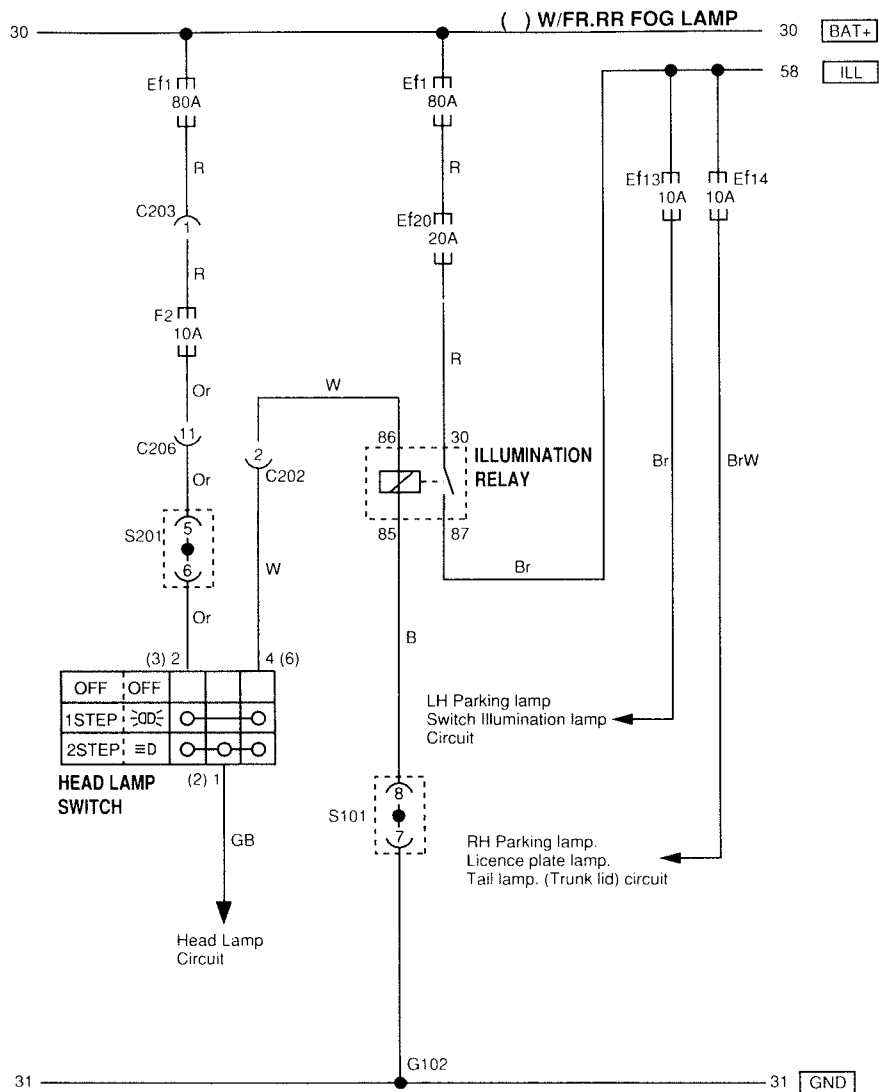


S301(ORANGE)



7. PARKING LAMP

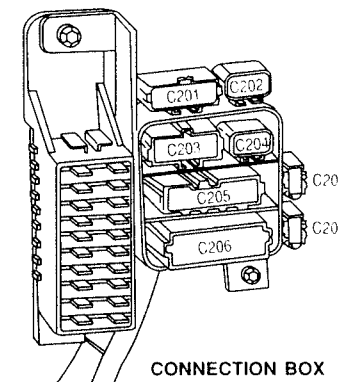
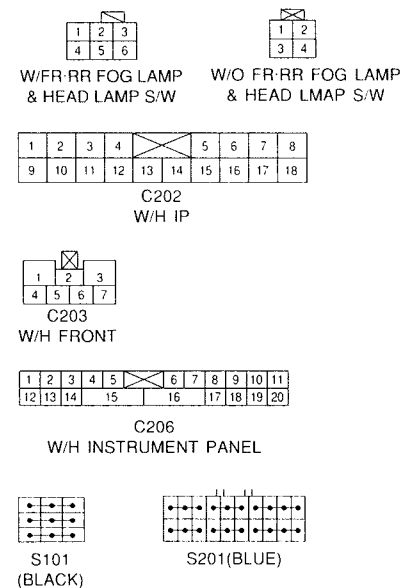
1) HEAD LAMP SWITCH. ILLUMINATION RELAY CIRCUIT





a. CONNECTOR INFORMATION

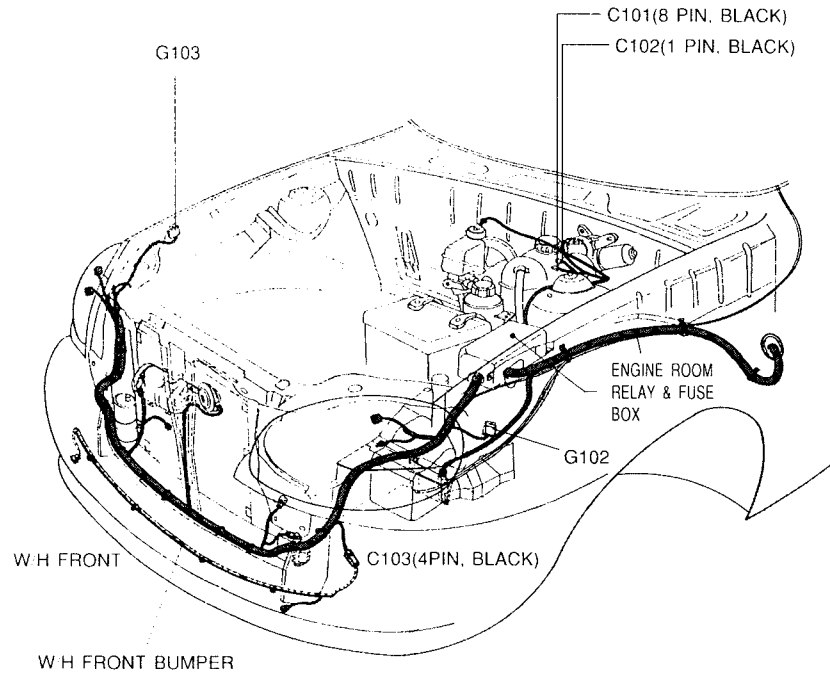
CONNECTOR(NO) (PIN NO. COLOR)	CONNECTING. WIRING HARNESS	CONNECTOR POSITION
C202(18PIN. WHITE)	W/H Front - IP	Connection Box Next to Passenger Room Fuse Box
C203(7PIN. BROWN)	W/H Front - Floor	Connection Box Next to Passenger Room Fuse Box
C206(20PIN. COLORLESS)	W/H Front - IP	Connection Box Next to Passenger Room Fuse Box
S101(9PIN. BLACK)	Splice Pack	Engine Room Relay And Fuse Box
S201(20PIN. BLUE)	Splice Pack	Next to Passenger Room Relay Box
G102	Ground	Fender Below Engine Room Fuse Box

b. CONNECTOR IDENTIFICATION SYMBOL & PIN NUMBER POSITION



c. POSITION OF CONNECTORS AND GROUNDS

-  W/H FRONT
-  W/H FRONT BUMPER



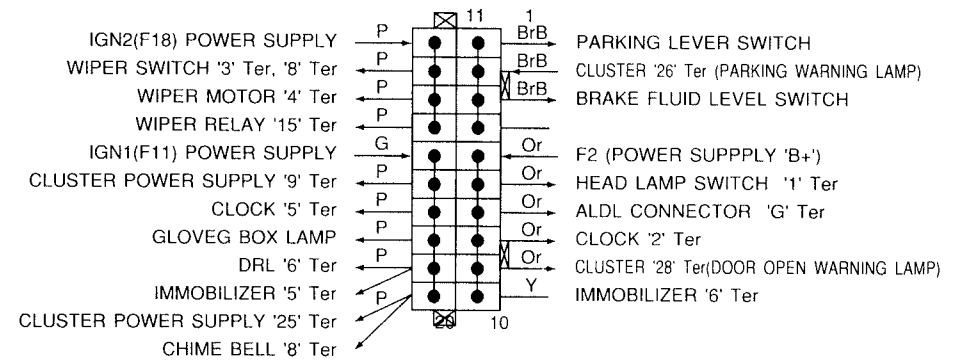
d. SPLICE PACK

S101(BLACK)

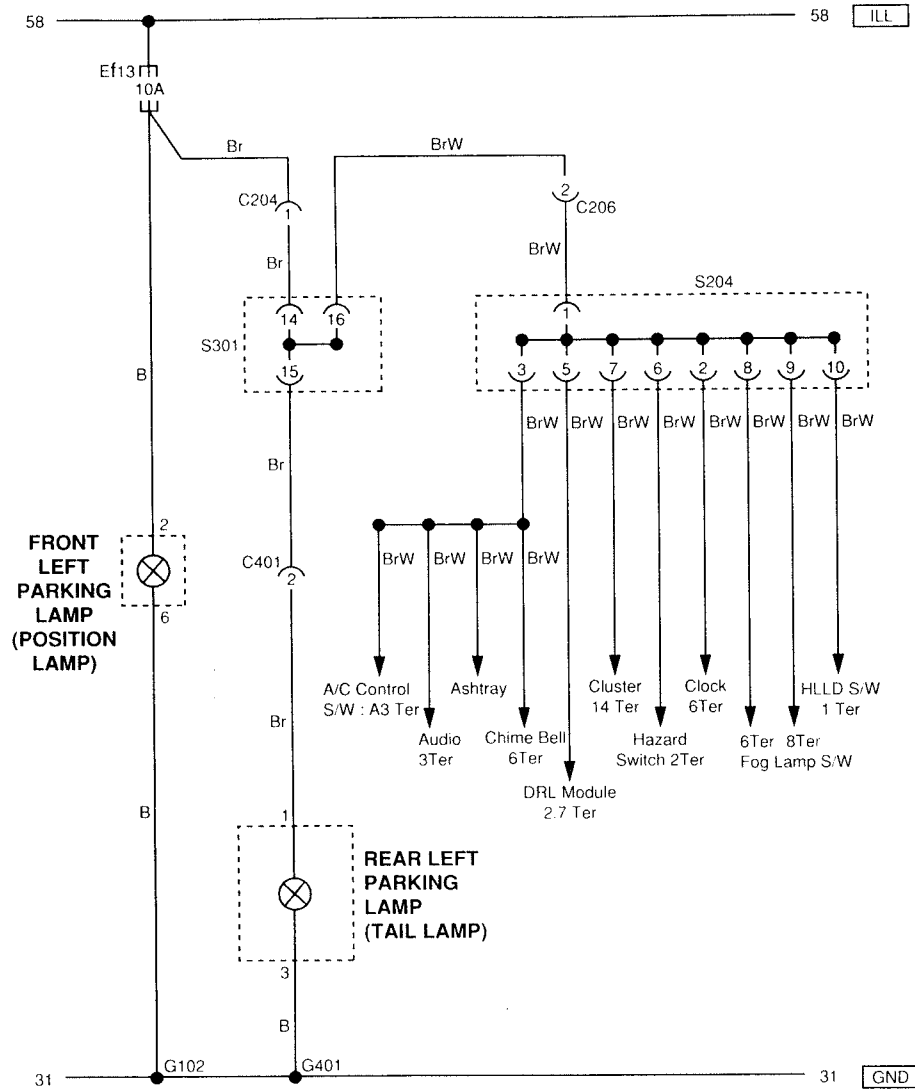
3 (RW)	6 (R)	9 (B)
2 (RW)	5 (R)	8 (B)
1 (RW)	4 (R)	7 (B)

1. I G(15A) F19 : POWER SUPPLY
2. COOLING FAN RELAY A : '86' Ter
B : '85' Ter
3. REAR WINDOW DEFROSTER RELAY : '86' Ter
POWER WINDOW RELAY : '86' Ter
4. BATTERY POWER SUPPLY(Ef4)
5. COOLING FAN RELAY A : '30' Ter
6. COOLING FAN RELAY B : '30' Ter
7. GROUND(G102)
8. HEAD LAMP & ILL' RELAY '86' Ter
9. FR/FOG LAMP RELAY '86' Ter

S201(BLUE)



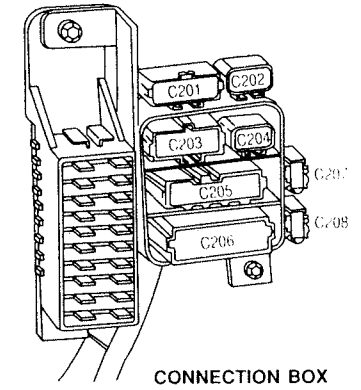
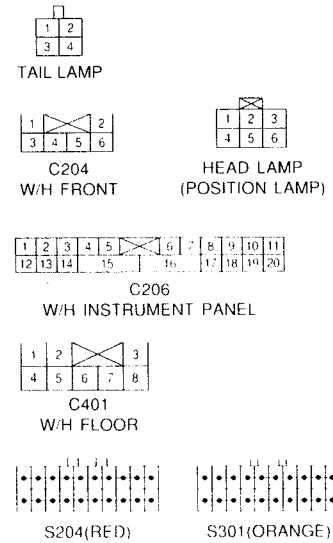
2) PARKING LAMP (LH) & SWITCH POSITION ILLUMINATION CIRCUIT



a. CONNECTOR INFORMATION



CONNECTOR(NO) (PIN NO. COLOR)	CONNECTING. WIRING HARNESS	CONNECTOR POSITION
C204(6PIN. WHITE)	W/H Front - Floor	Connection Box Next to Passenger Room Fuse Box
C206(20PIN. COLORLESS)	W/H Floor - IP	Connection Box Next to Passenger Room Fuse Box
C401(8PIN. WHITE)	W/H Floor - Trunk	Above Left Seat Belt Retractor In Trunk
S204(20PIN. RED)	Splice Pack	Above Glove Box
S301(20PIN. ORANGE)	Splice Pack	Below Driver Seat
G102	Ground	Fender Below Engine Room Fuse Box
G401	Ground	Center Of Rear End Panel In Trunk

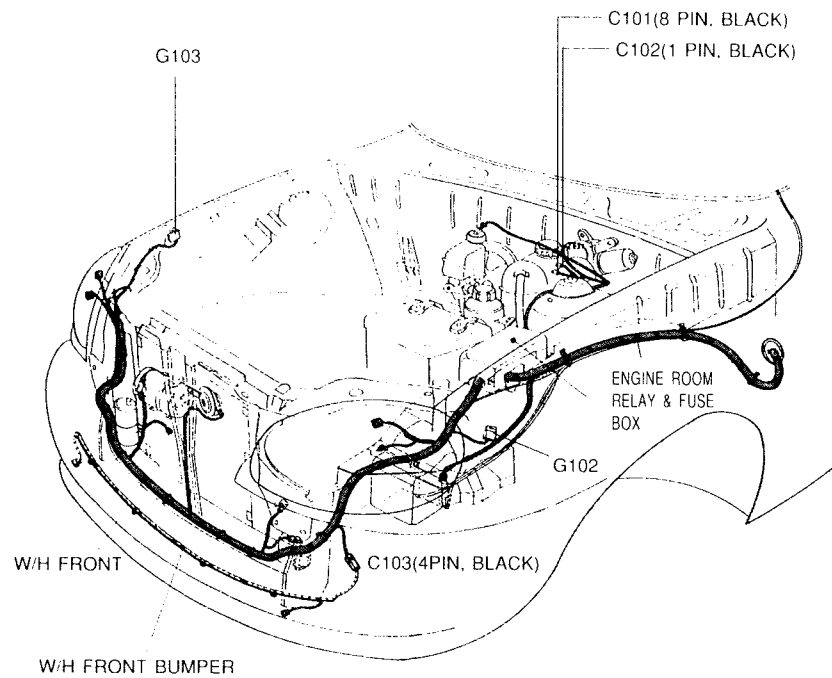
b. CONNECTOR IDENTIFICATION SYMBOL & PIN NUMBER POSITION



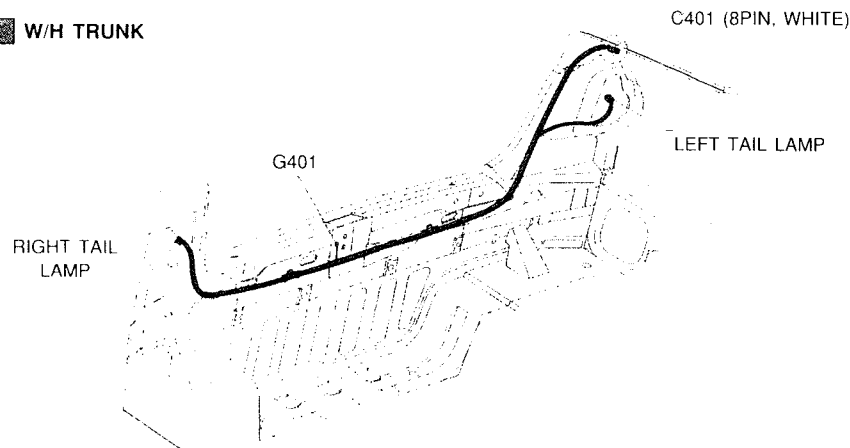
CONNECTION BOX

c. POSITION OF CONNECTORS AND GROUNDS

 W/H FRONT
 W/H FRONT BUMPER

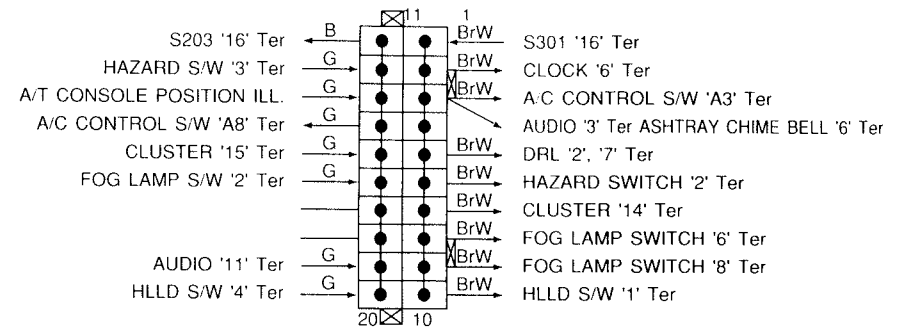


 W/H TRUNK

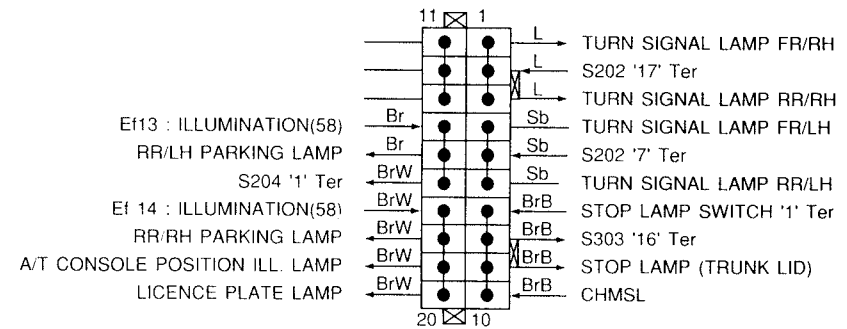


d. SPLICE PACK

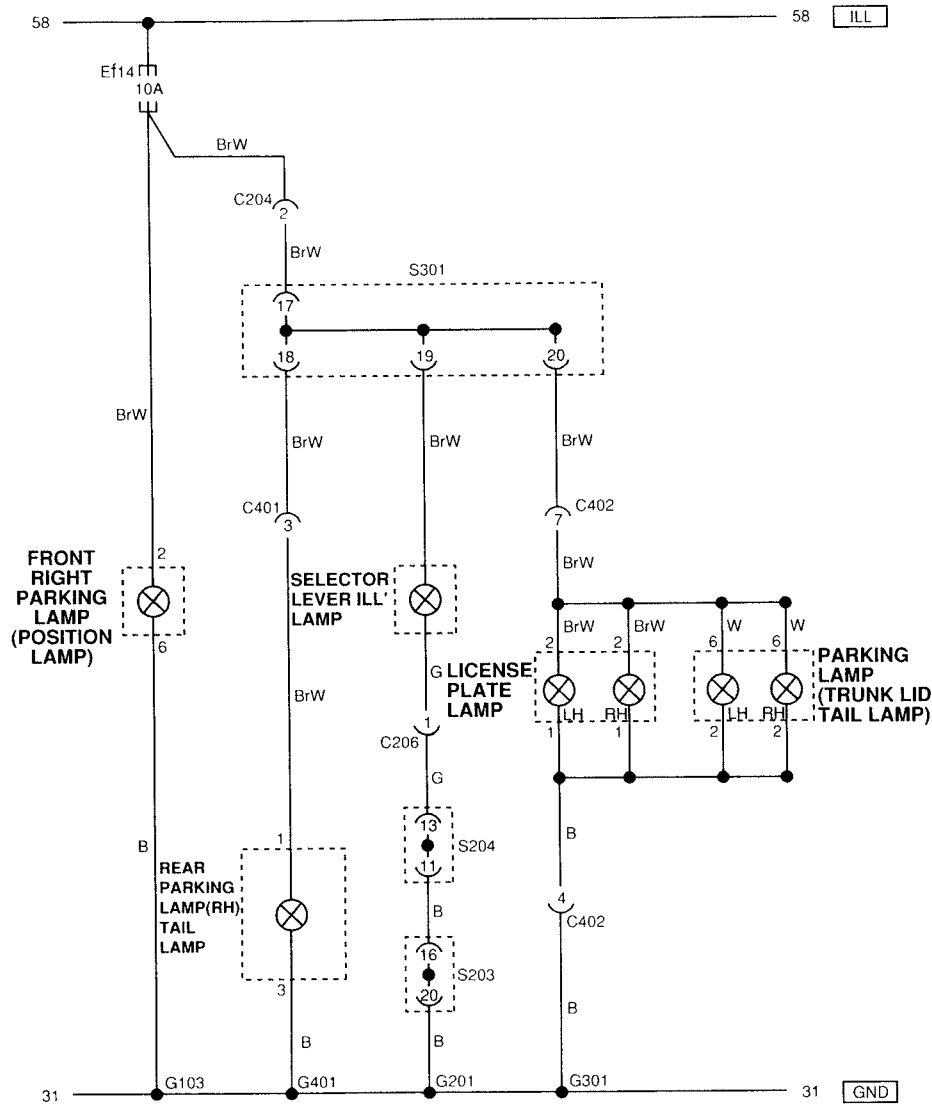
S204(RED)



S301(ORANGE)



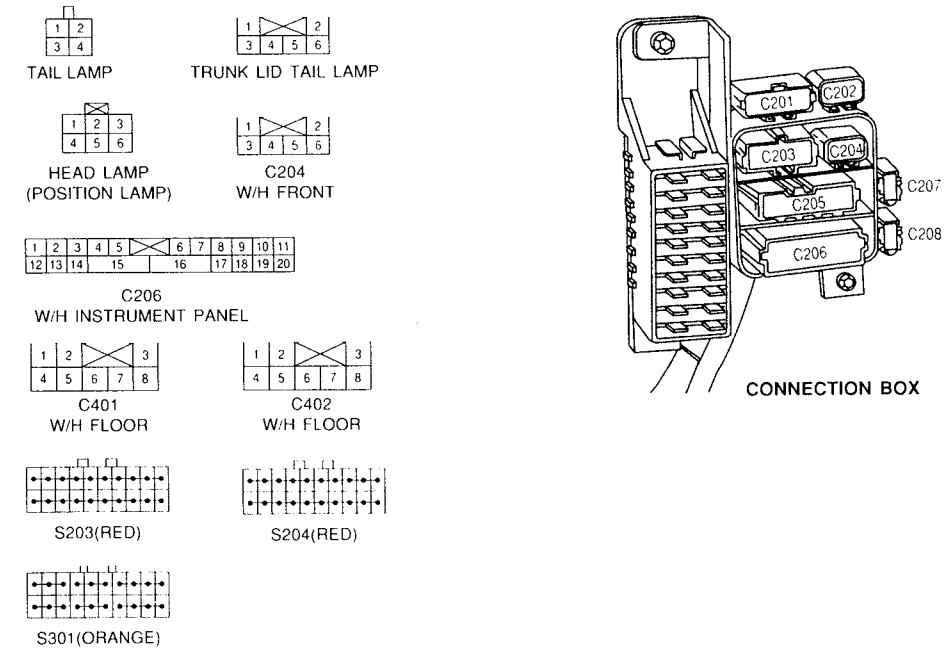
3) PARKING LAMP(RH), LICENSE PLATE LAMP, TRUNK LID TAIL LAMP, PARKING LAMP (N/B)



a. CONNECTOR INFORMATION

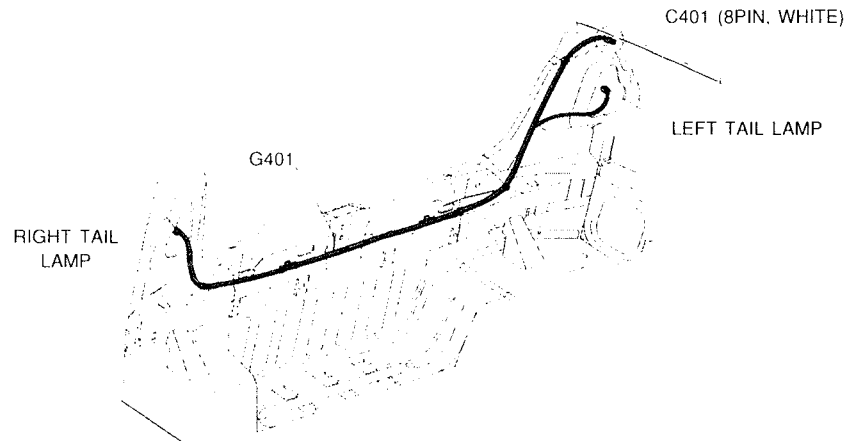
CONNECTOR(NO) (PIN NO. COLOR)	CONNECTING. WIRING HARNESS	CONNECTOR POSITION
C204(6PIN. WHITE)	W/H Front - Floor	Connection Box Next to Passenger Room Fuse Box
C206(20PIN. COLORLESS)	W/H Floor - IP	Connection Box Next to Passenger Room Fuse Box
C401(8PIN. WHITE)	W/H Floor - Trunk	Above Left Seat Belt Retractor In Trunk
C402(8PIN. WHITE)	W/H Floor - Trunk Lid	Above Left Tail Lamp In Trunk
S203(20PIN. RED)	Splice Pack	Next to Passenger Room Relay Box
S204(20PIN. RED)	Splice Pack	Above Glove Box
S301(20PIN. ORANGE)	Splice Pack	Below Driver Seat
G103	Ground	Fender Next to Air Cleaner Housing
G201	Ground	Below Right Front Console Box
G301	Ground	Below Driver Seat
G401	Ground	Center Of Rear End Panel In Trunk

b. CONNECTOR IDENTIFICATION SYMBOL & PIN NUMBER POSITION

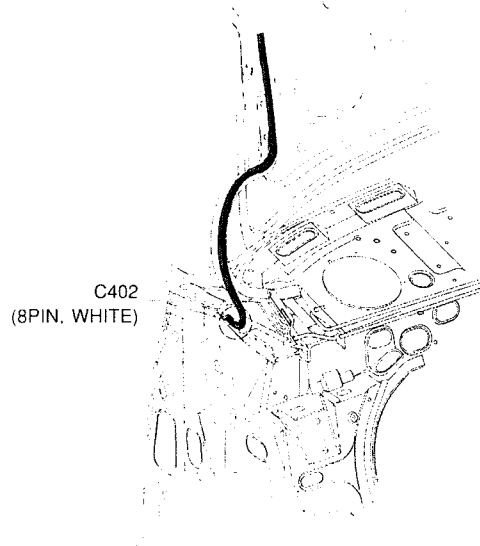


c. POSITION OF CONNECTORS AND GROUNDS

■ W/H TRUNK

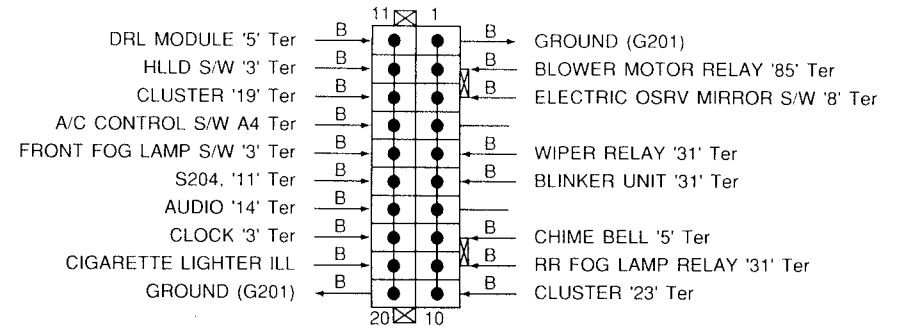


■ W/H TRUNK LID
• TRUNK INSIDE LEFT

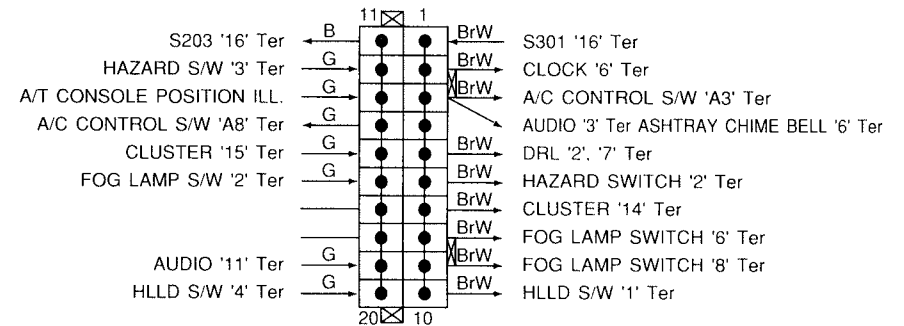


d. SPLICE PACK

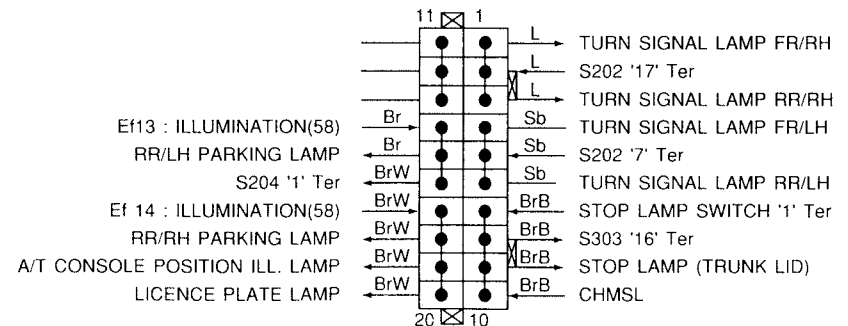
S203(RED)



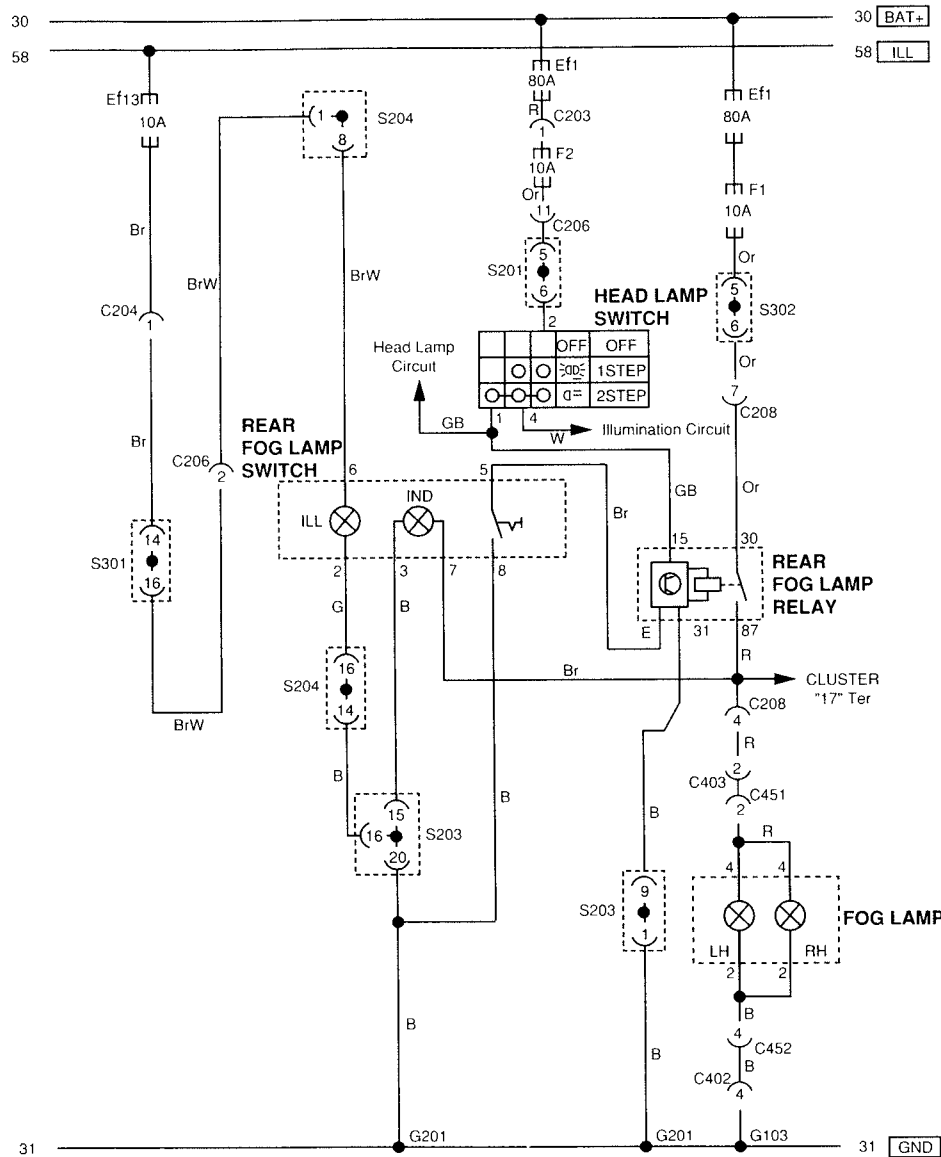
S204(RED)



S301(ORANGE)



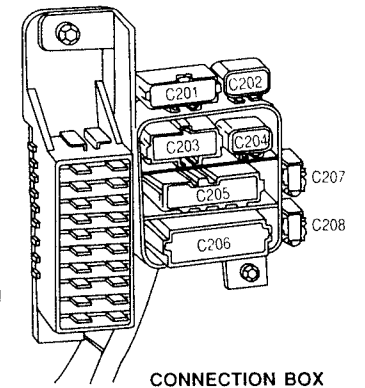
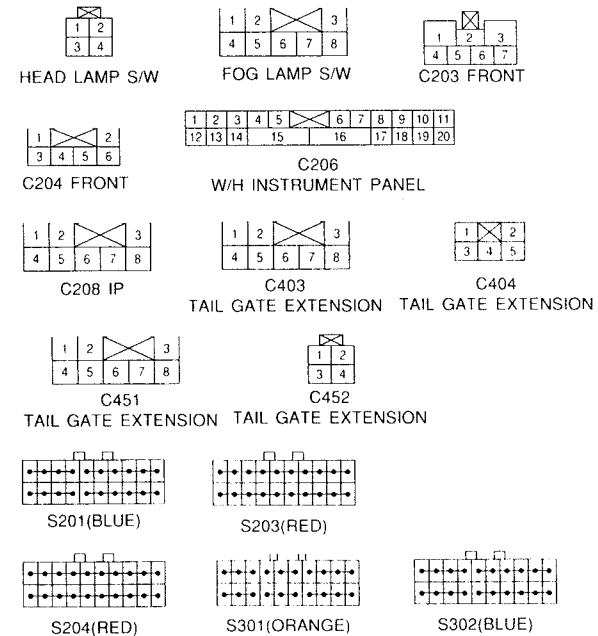
8-4. REAR FOG LAMP (ONLY) CIRCUIT (HB)



a. CONNECTOR INFORMATION

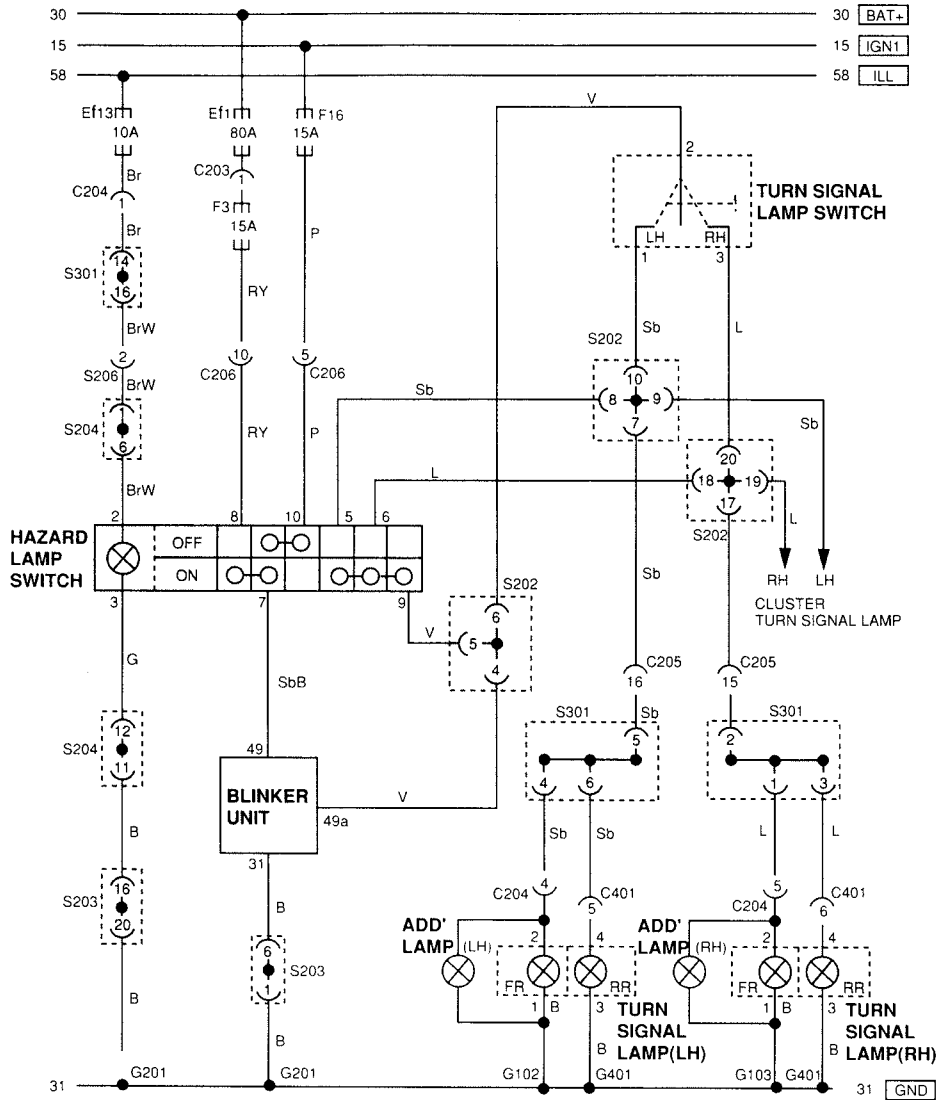
CONNECTOR(NO) (PIN NO. COLOR)	CONNECTING. WIRING HARNESS	CONNECTOR POSITION
C203(7PIN. BROWN)	W/H Front - Floor	Connection Box Next to Passenger Room Fuse Box
C204(6PIN. WHITE)	W/H Front - Floor	Connection Box Next to Passenger Room Fuse Box
C206(20PIN. COLORLESS)	W/H Floor - IP	Connection Box Next to Passenger Room Fuse Box
C208(8PIN. WHITE)	W/H Floor - IP	Connection Box Next to Passenger Room Fuse Box
C403 (8PIN. WHITE)	W/H Floor- Tail Gate Extension	Inside Trunk
C404(5PIN. WHITE)	W/H Floor- Tail Gate Extension	Inside Tail Gate
C451 (8PIN. WHITE)	Tail Gate Extension -Tail Gate	Inside Tail Gate
C452(3PIN. WHITE)	Tail Gate Extension -Tail Gate	Inside Tail Gate
S201(20PIN. BLUE)	Splice Pack	Next to Passenger Room Relay Box
S203(20PIN. RED)	Splice Pack	Next to Passenger Room Relay Box
S204(20PIN. RED)	Splice Pack	Above Glove Box
S301(20PIN. ORANGE)	Splice Pack	Below Driver Seat
S302(20PIN. BLUE)	Splice Pack	Below Driver Seat
G201	Ground	Below Right Front Console Box
G301	Ground	Below Driver Seat

b. CONNECTOR IDENTIFICATION SYMBOL & PIN NUMBER POSITION



CONNECTION BOX

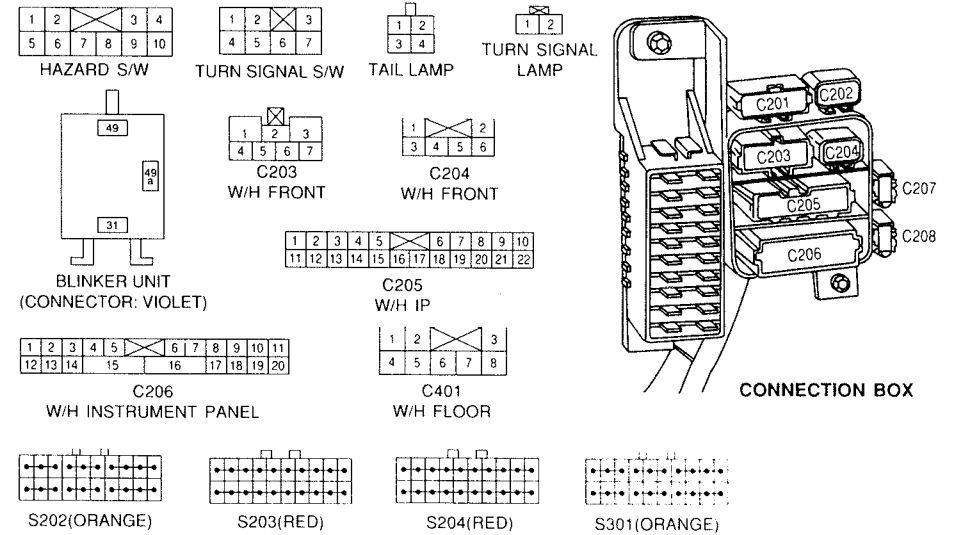
9. TURN SIGNAL LAMP. HAZARD LAMP CIRCUIT



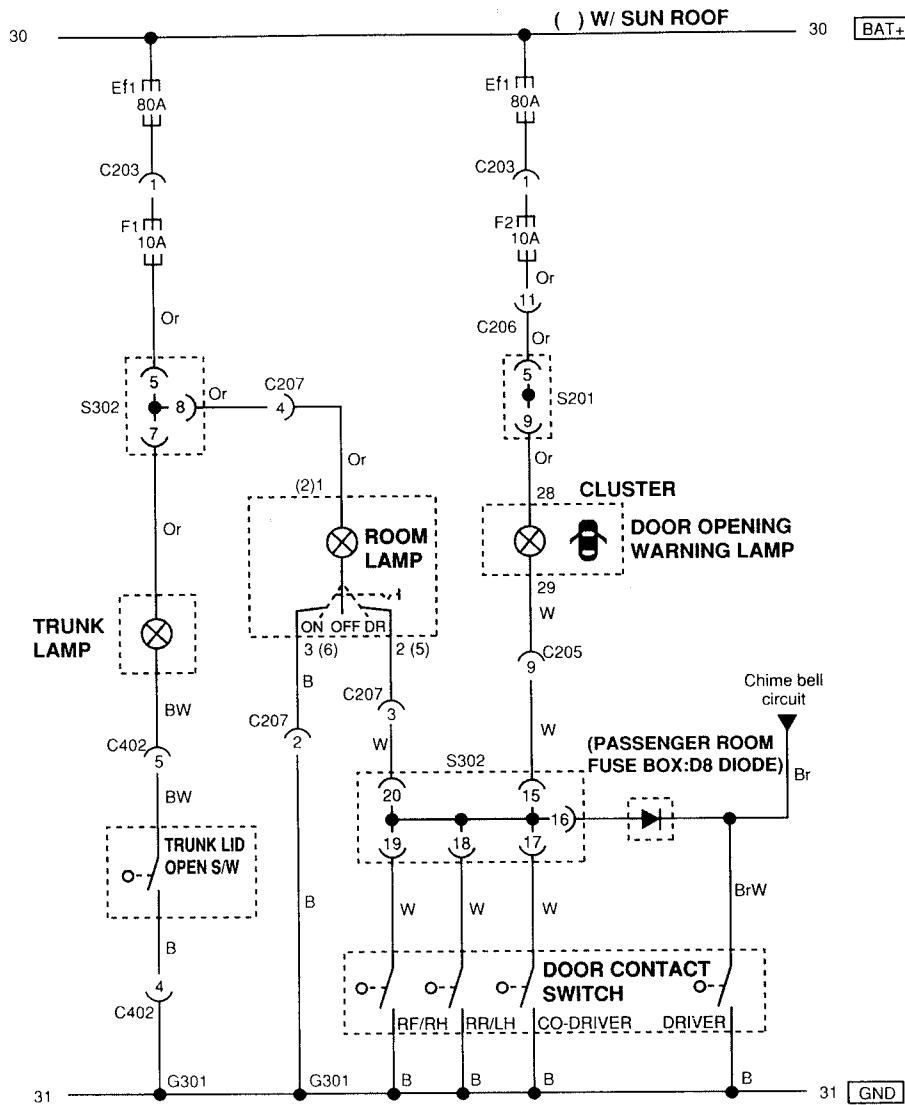
a. CONNECTOR INFORMATION

CONNECTOR(NO) (PIN NO. COLOR)	CONNECTING. WIRING HARNESS	CONNECTOR POSITION
C203 (7PIN. BROWN)	W/H Front - Floor	Connection Box Next to Passenger Room Fuse Box
C204 (6PIN. WHITE)	W/H Front - Floor	Connection Box Next to Passenger Room Fuse Box
C205 (22PIN. YELLOW)	W/H Floor - IP	Connection Box Next to Passenger Room Fuse Box
C206 (20PIN. COLORLESS)	W/H Floor - IP	Connection Box Next to Passenger Room Fuse Box
C401 (8PIN. WHITE)	W/H Floor - Trunk	Above Left Seat Belt Retractor In Trunk
S202 (20PIN. ORANGE)	Splice Pack	Next to Passenger Room Relay Box
S203 (20PIN. RED)	Splice Pack	Next to Passenger Room Relay Box
S204 (20PIN. RED)	Splice Pack	Above Glove Box
S301 (20PIN. ORNAGE)	Splice Pack	Below Driver Seat
G102	Ground	Fender Below Engine Room Fuse Box
G103	Ground	Fender Next to Air Cleaner Housing
G201	Ground	Below Right Front Console Box
G401	Ground	Center of Rear End Panel in Trunk

b. CONNECTOR IDENTIFICATION SYMBOL & PIN NUMBER POSITION



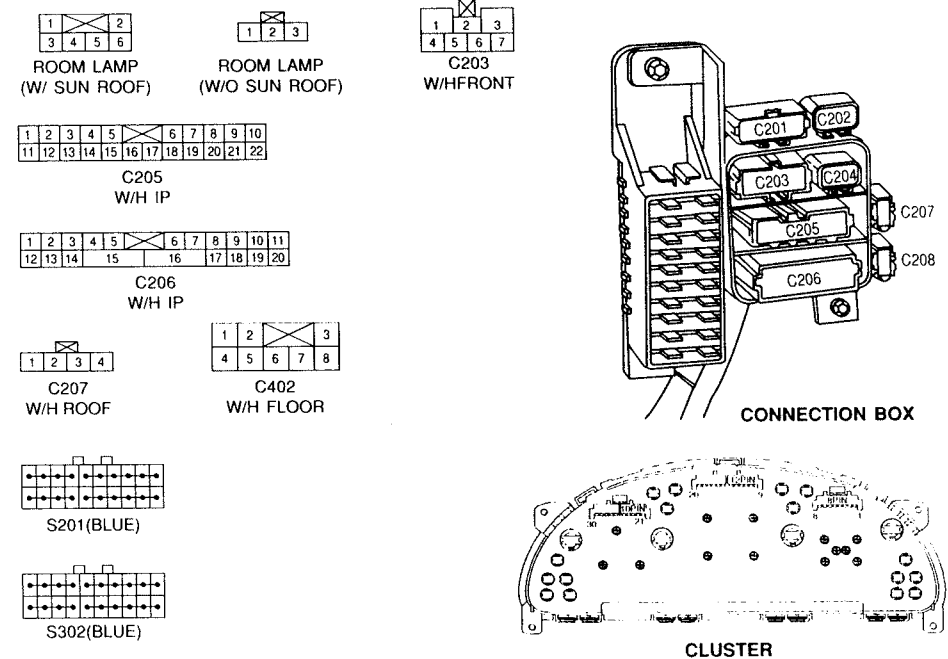
12. TRUNK LAMP. ROOM LAMP. DOOR OPENING WARNING LAMP. CIRCUIT(NB)



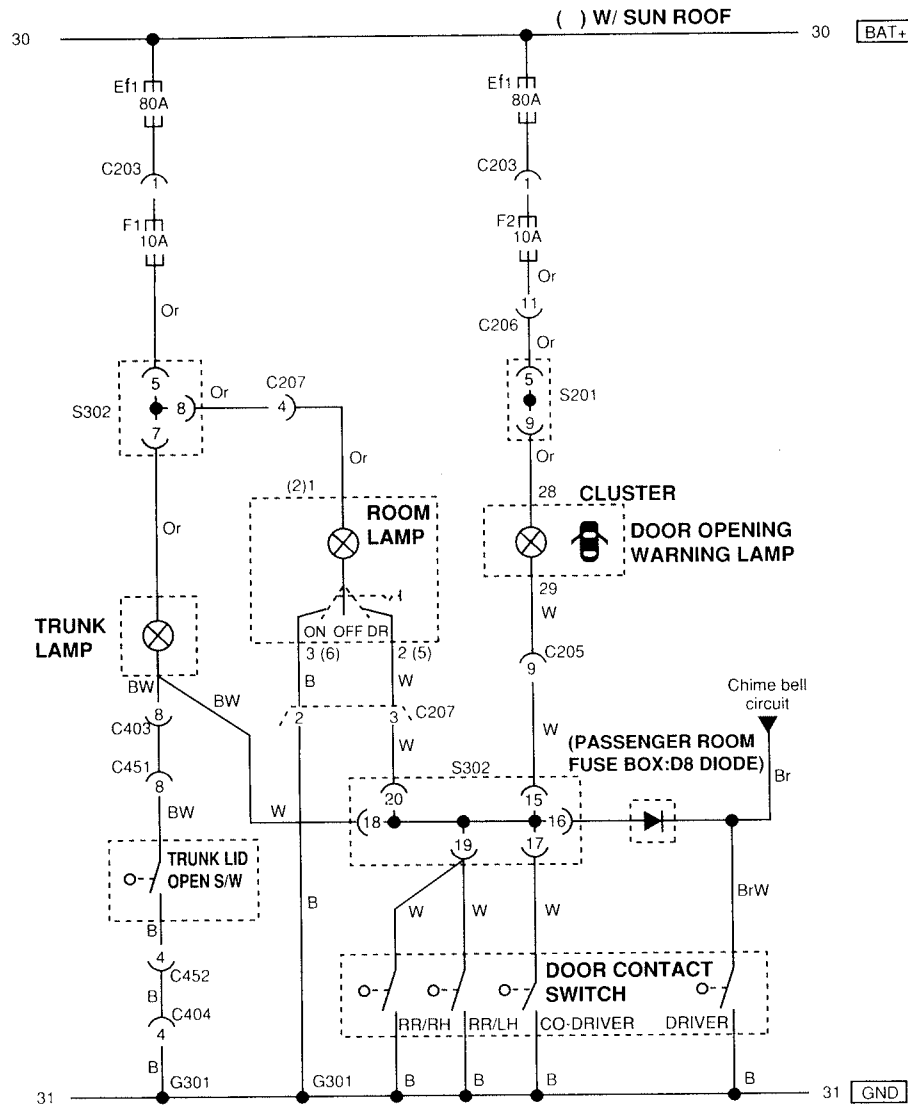
a. CONNECTOR INFORMATION

CONNECTOR(NO) (PIN NO. COLOR)	CONNECTING. WIRING HARNESS	CONNECTOR POSITION
C203 (7PIN. BROWN)	W/H Front - Floor	Connection Box Next to Passenger Room Fuse Box
C205 (22PIN. YELLOW)	W/H Floor - IP	Connection Box Next to Passenger Room Fuse Box
C206 (20PIN. COLORLESS)	W/H Floor - IP	Connection Box Next to Passenger Room Fuse Box
C207 (4PIN. WHITE)	W/H Floor - Roof	Connection Box Next to Passenger Room Fuse Box
C402 (8PIN. WHITE)	W/H Floor - Trunk Lid	Above Left Tail Lamp In Trunk
S201 (20PIN. BLUE)	Splice Pack	Next to Passenger Room Relay Box
S302 (20PIN. BLUE)	Splice Pack	Below Driver Seat
G301	Ground	Below Driver Seat

b. CONNECTOR IDENTIFICATION SYMBOL & PIN NUMBER POSITION



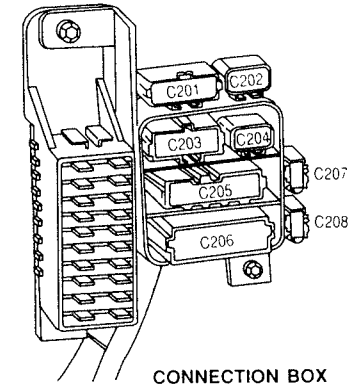
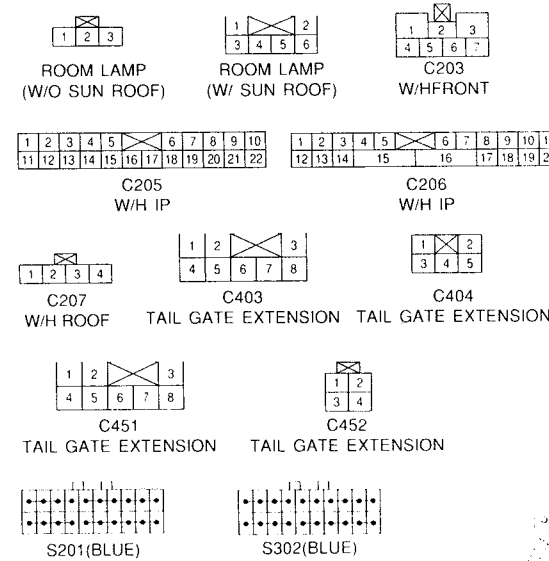
12-1. TRUNK LAMP. ROOM LAMP. DOOR OPENING WARNING LAMP. CIRCUIT (3DOOR ,5DOOR) HB APPLICATION



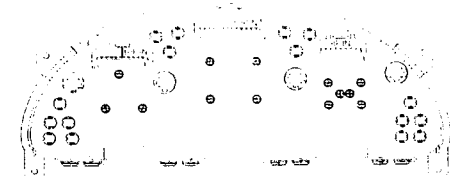
a. CONNECTOR INFORMATION

CONNECTOR(NO) (PIN NO. COLOR)	CONNECTING. WIRING HARNESS	CONNECTOR POSITION
C203 (7PIN. BROWN)	W/H Front - Floor	Connection Box Next to Passenger Room Fuse Box
C205 (22PIN. YELLOW)	W/H Floor - IP	Connection Box Next to Passenger Room Fuse Box
C206 (20PIN. COLORLESS)	W/H Floor - IP	Connection Box Next to Passenger Room Fuse Box
C207 (4PIN. WHITE)	W/H Floor - Roof	Connection Box Next to Passenger Room Fuse Box
C403 (8PIN. WHITE)	W/H Floor - Tail Gate Extension	Inside Trunk
C404 (5PIN WHITE)	W/H Floor - Tail Gate Extension	Inside Trunk
C451 (8PIN WHITE)	W/H Tail Gate Extension - Tail Gate	Inside Tail Gate
C452 (3PIN WHITE)	W/H Tail Gate Extension - Tail Gate	Inside Tail Gate
S201 (20PIN. BLUE)	Splice Pack	Next to Passenger Room Relay Box
S302 (20PIN. BLUE)	Splice Pack	Below Driver Seat
G301	Ground	Below Driver Seat

b. CONNECTOR IDENTIFICATION SYMBOL & PIN NUMBER POSITION

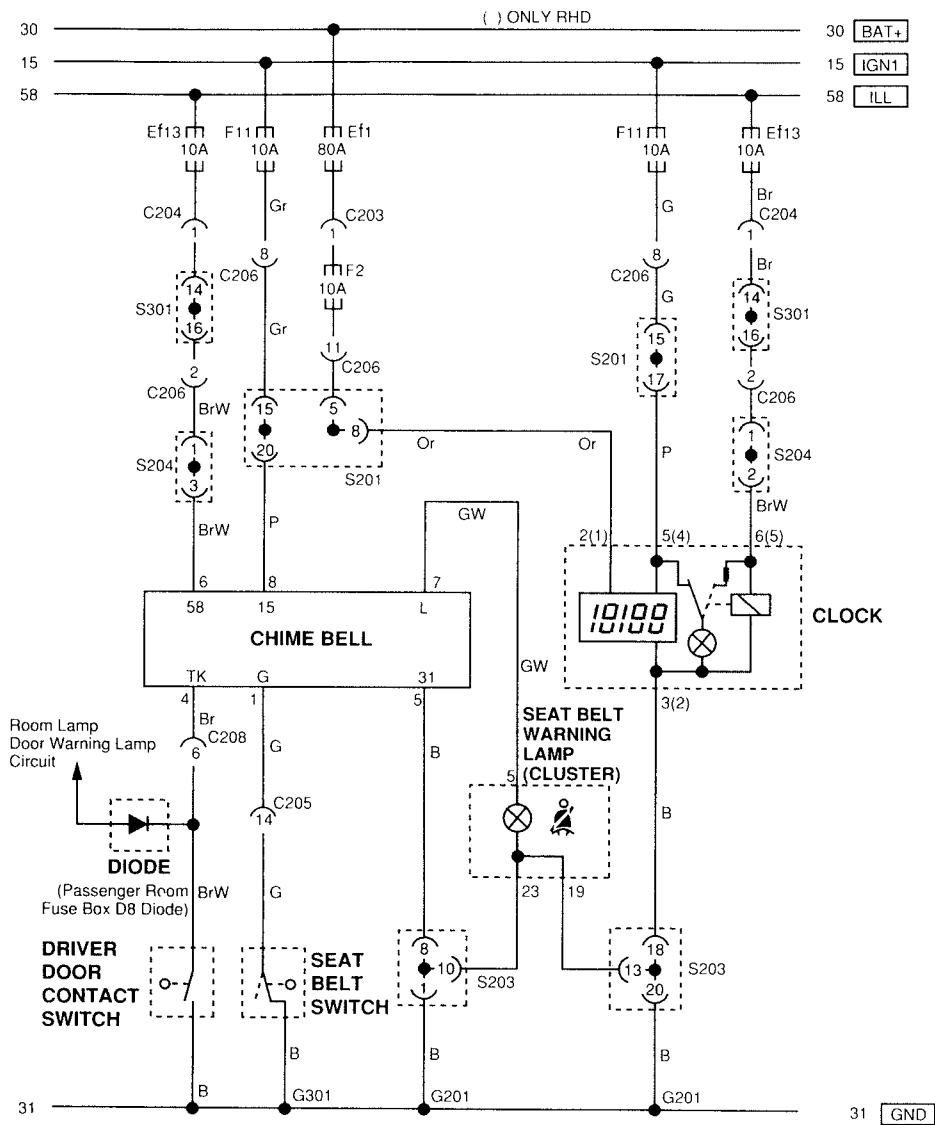


CONNECTION BOX



CLUSTER

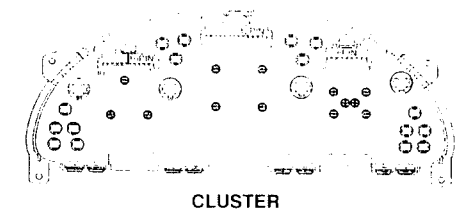
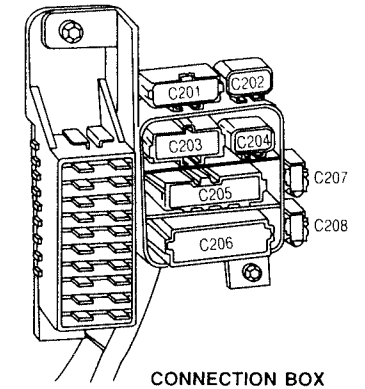
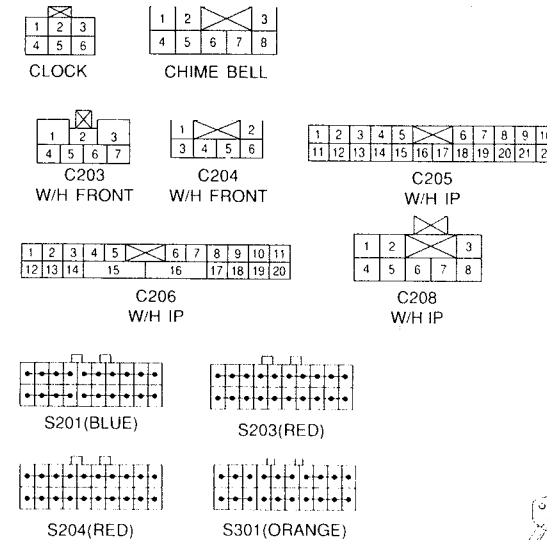
15. CHIME BELL. CLOCK CIRCUIT



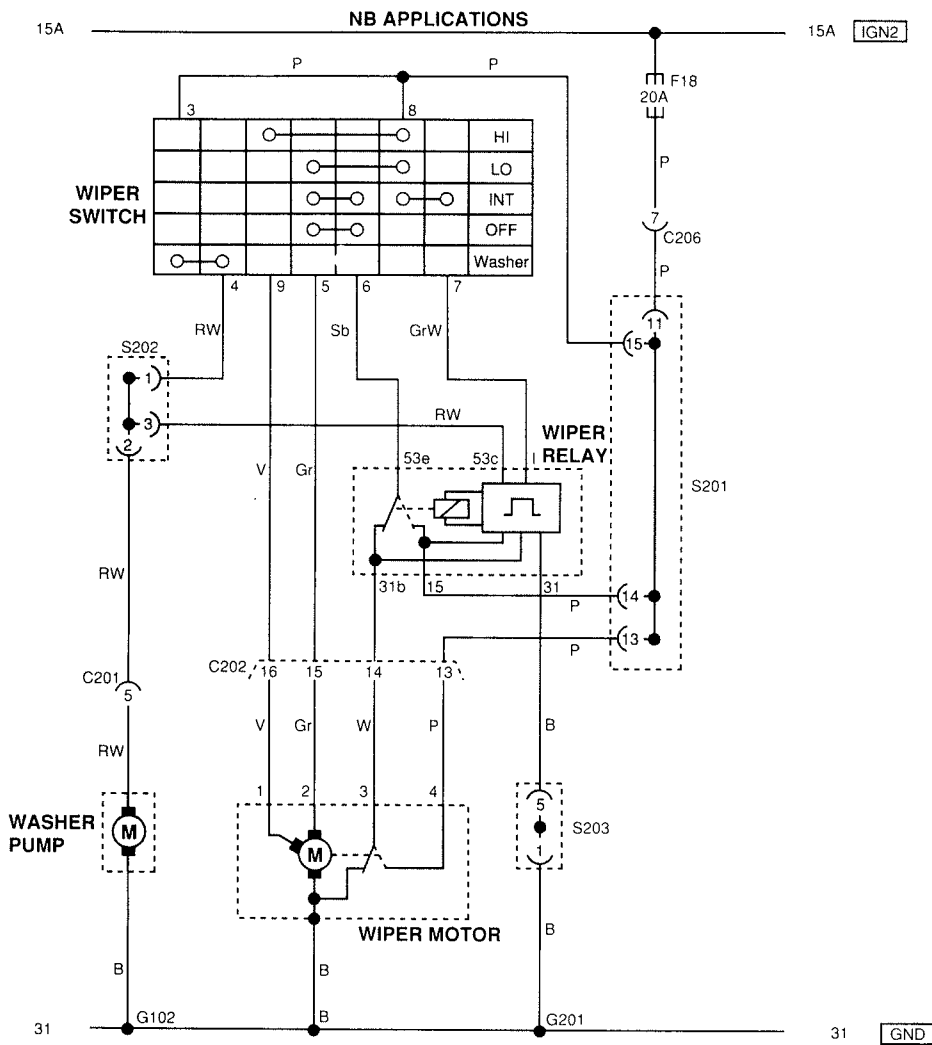
a. CONNECTOR INFORMATION

CONNECTOR(NO) (PIN NO. COLOR)	CONNECTING. WIRING HARNESS	CONNECTOR POSITION
C203 (7PIN. BROWN)	W/H Front - Floor	Connection Box Next to Passenger Room Fuse Box
C204 (6PIN. WHITE)	W/H Front - Floor	Connection Box Next to Passenger Room Fuse Box
C205 (22PIN. WHITE)	W/H Floor - IP	Connection Box Next to Passenger Room Fuse Box
C206 (20PIN. COLORLESS)	W/H Floor - IP	Connection Box Next to Passenger Room Fuse Box
C208 (8PIN. WHITE)	W/H Floor - IP	Connection Box Next to Passenger Room Fuse Box
S201 (20PIN. BLUE)	Splice Pack	Next to Passenger Room Relay Box
S203 (20PIN. RED)	Splice Pack	Next to Passenger Room Relay Box
S204 (20PIN. RED)	Splice Pack	Above Glove Box
S301 (20PIN. ORANGE)	Splice Pack	Below Driver Seat
G201	Ground	Below Right Front Console Box
G301	Ground	Below Driver Seat

b. CONNECTOR IDENTIFICATION SYMBOL & PIN NUMBER POSITION



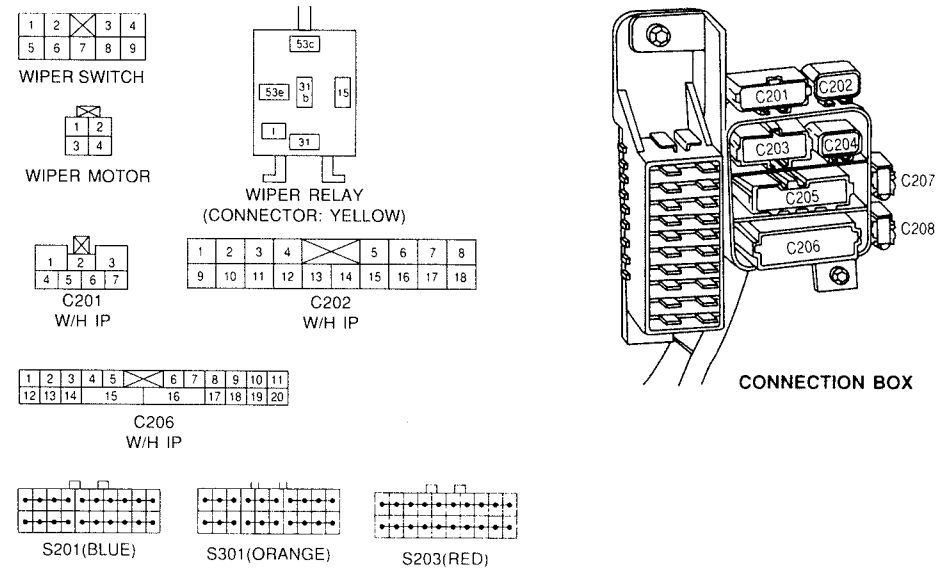
16. WIPER CIRCUIT



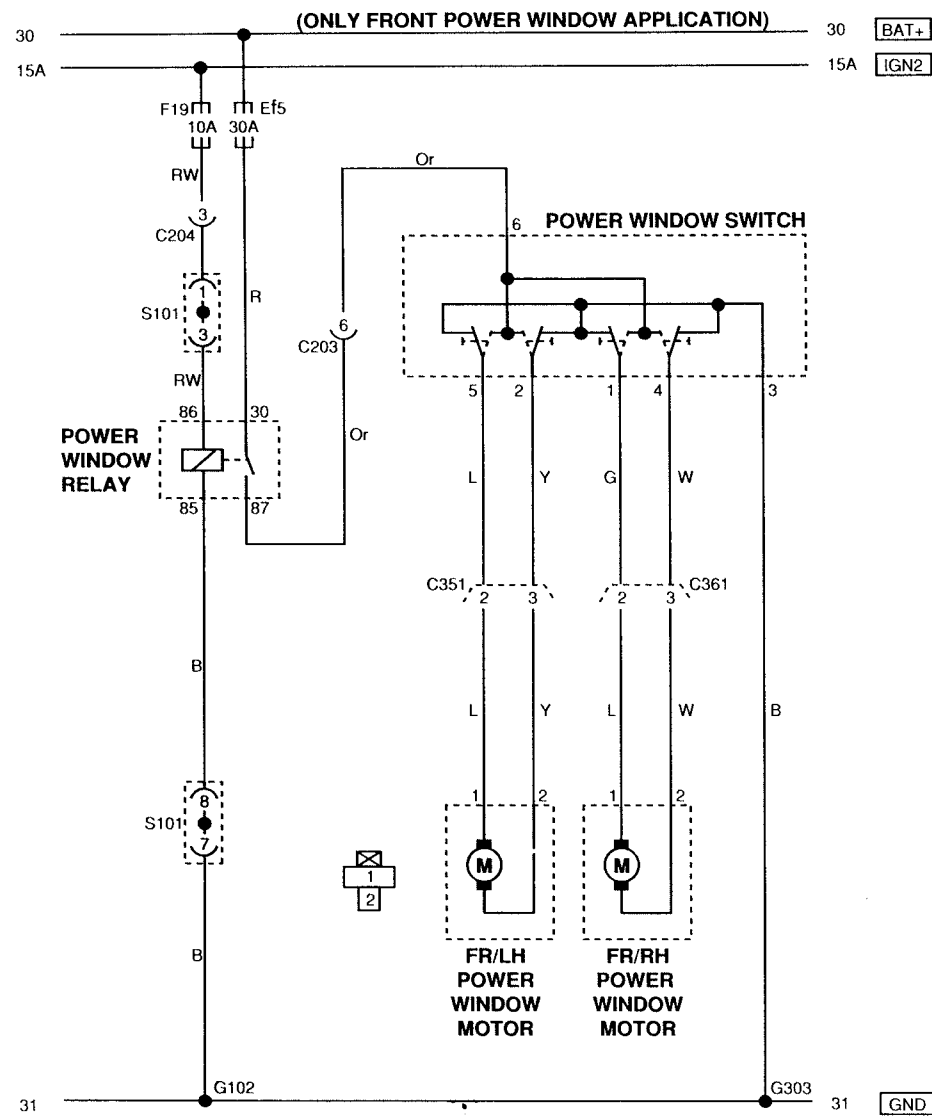
a. CONNECTOR INFORMATION

CONNECTOR(NO) (PIN NO. COLOR)	CONNECTING. WIRING HARNESS	CONNECTOR POSITION
C201 (7PIN GRAY)	W/H Front - IP	Connection Box Next to Passenger Room Fuse Box
C202 (18PIN WHITE)	W/H Front - IP	Connection Box Next to Passenger Room Fuse Box
C206 (20PIN. COLORLESS)	W/H Floor - IP	Connection Box Next to Passenger Room Fuse Box
S201 (20PIN. BLUE)	Splice Pack	Next to Passenger Room Relay Box
S202 (20PIN. ORNAGE)	Splice Pack	Next to Passenger Room Relay Box
S203 (20PIN. RED)	Splice Pack	Next to Passenger Room Relay Box
G102	Ground	Fender Below Engine Room Fuse Box
G201	Ground	Below Right Front Console Box

b. CONNECTOR IDENTIFICATION SYMBOL & PIN NUMBER POSITION



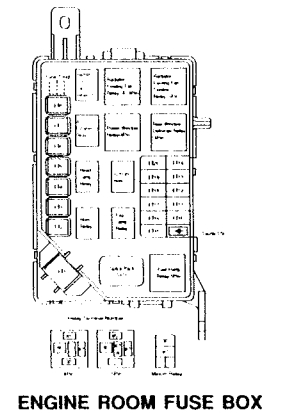
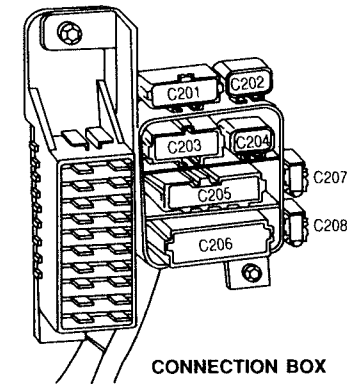
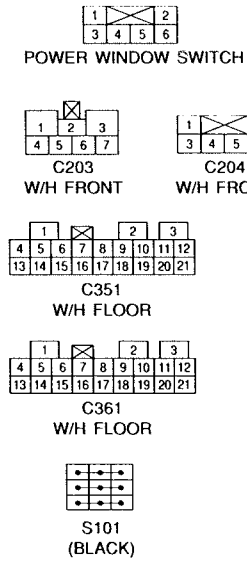
18. POWER WINDOW CIRCUIT



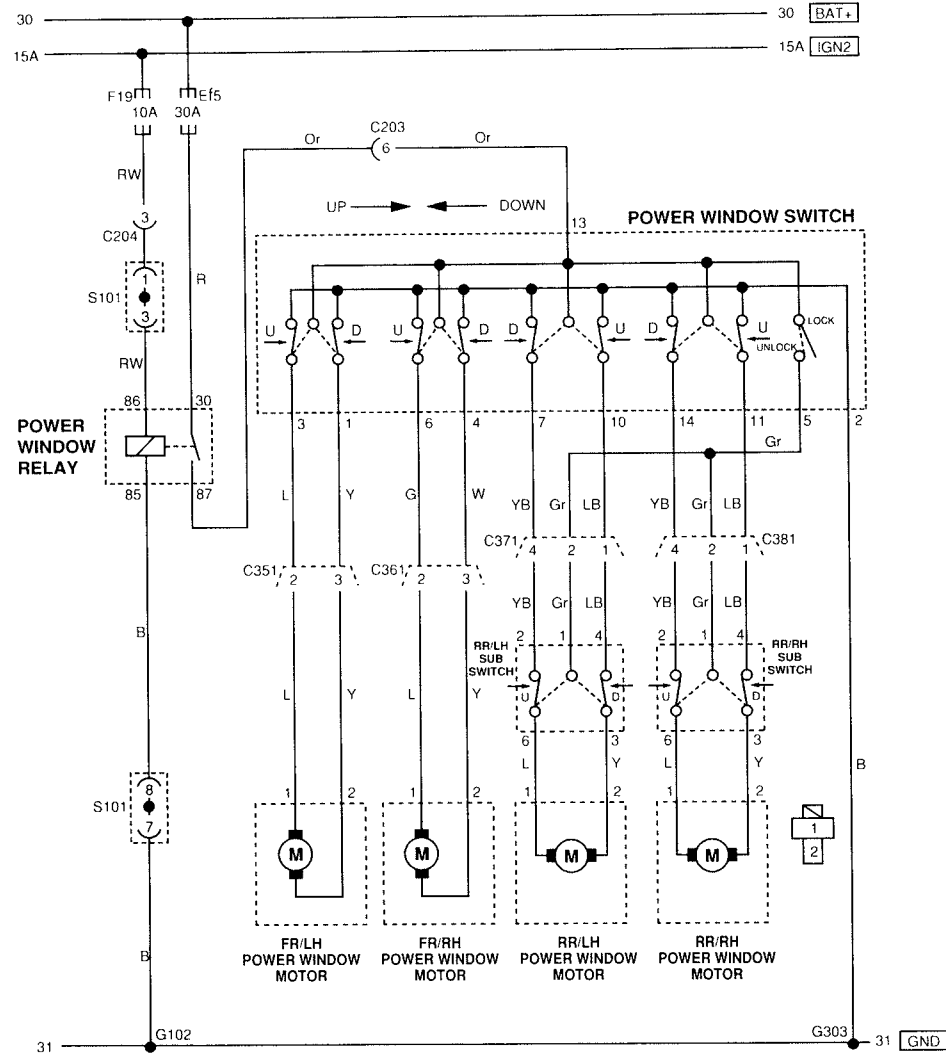
a. CONNECTOR INFORMATION

CONNECTOR(NO) (PIN NO. COLOR)	CONNECTING. WIRING HARNESS	CONNECTOR POSITION
C203 (7PIN. BROWN)	W/H Front - Floor	Connection Box Next to Passenger Room Fuse Box
C204 (6PIN. WHITE)	W/H Front - Floor	Connection Box Next to Passenger Room Fuse Box
C351 (21PIN. WHITE)	W/H Floor - Front Left Door	Below Front left Door Upper Hinge
C361 (21PIN. WHITE)	W/H Floor - Front Right Door	Below Front right Door Upper Hinge
S101 (9PIN. BLACK)	Splice Pack	EngineRoom Relay And Fuse Box
G102	Ground	Fender Below Engine Room Fuse Box
G303	Ground	Below Co-Driver Seat

b. CONNECTOR IDENTIFICATION SYMBOL & PIN NUMBER POSITION



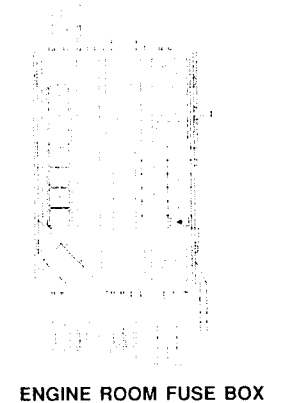
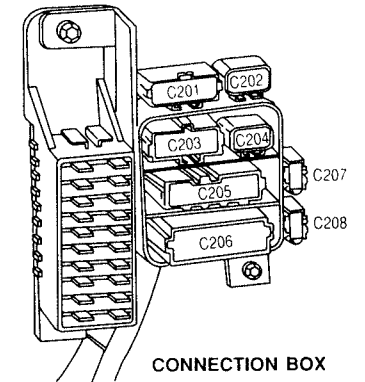
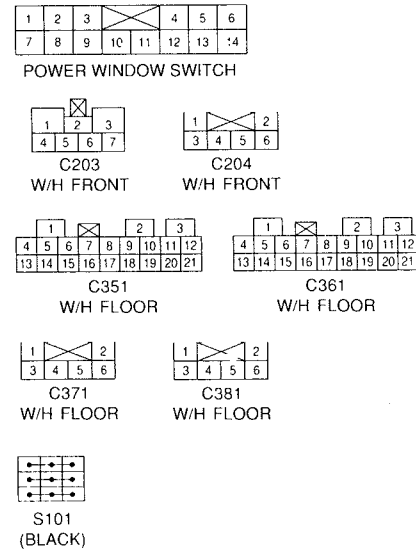
18-1. POWER WINDOW CIRCUIT (FRONT & REAR)



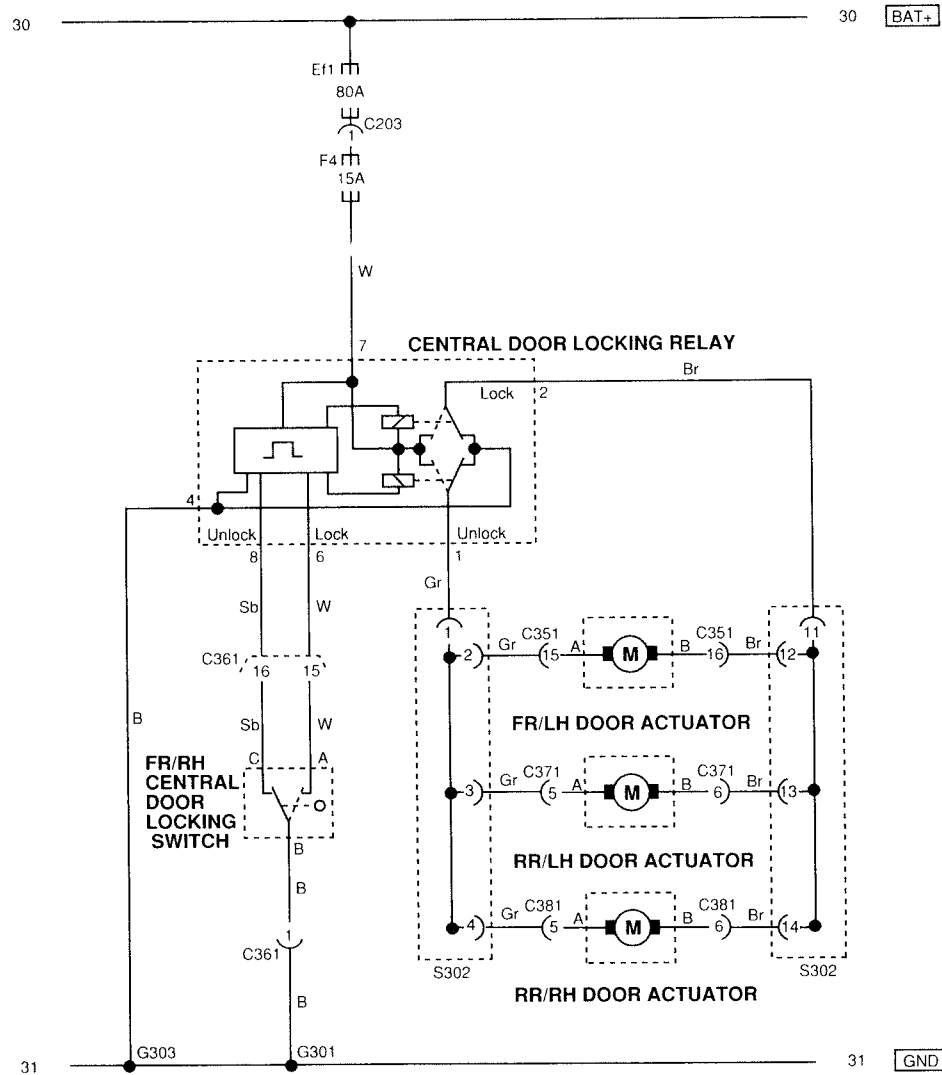
a. CONNECTOR INFORMATION

CONNECTOR(NO) (PIN NO. COLOR)	CONNECTING. WIRING HARNESS	CONNECTOR POSITION
C203 (7PIN. BROWN)	W/H Front - Floor	Connection Box Next to Passenger Room Fuse Box
C204 (6PIN. WHITE)	W/H Front - Floor	Connection Box Next to Passenger Room Fuse Box
C351 (21PIN. WHITE)	W/H Floor - Front Left Door	Below Front Left Door Upper Hinge
C361 (21PIN. WHITE)	W/H Floor - Front Right Door	Below Front Right Door Upper Hinge
C371 (6PIN. COLORLESS)	W/H Floor - Front Left Door	Inside Left Center Pillar
C381 (6PIN. COLORLESS)	W/H Floor - Front Right Door	Inside Right Center Pillar
S101 (9PIN. BLACK)	Splice Pack	EngineRoom relay And Fuse Box
G102	Ground	Fender Below Engine Room Fuse Box
G303	Ground	Below Co-Driver Seat

b. CONNECTOR IDENTIFICATION SYMBOL & PIN NUMBER POSITION



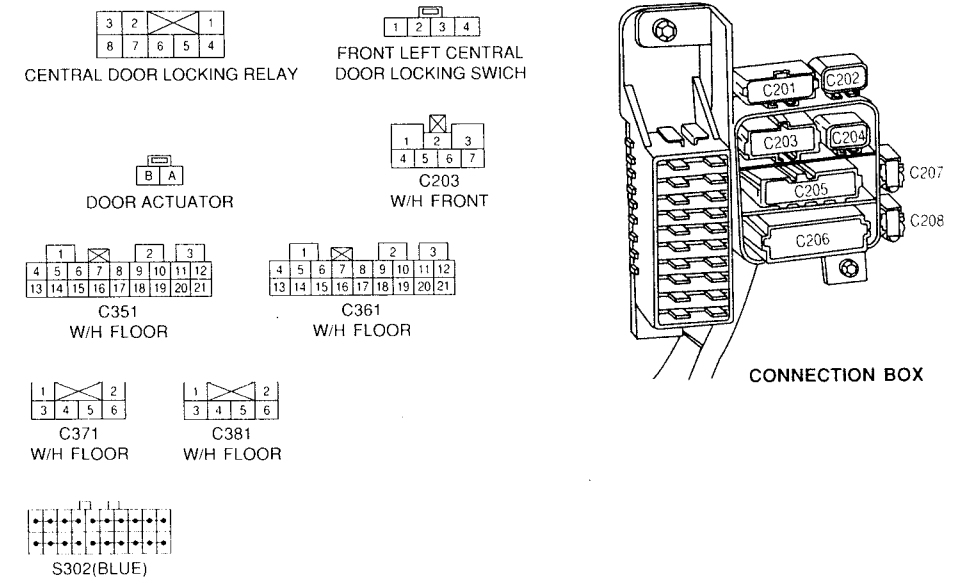
20-1. CENTRAL DOOR LOCKING CIRCUIT (NB – RHD)



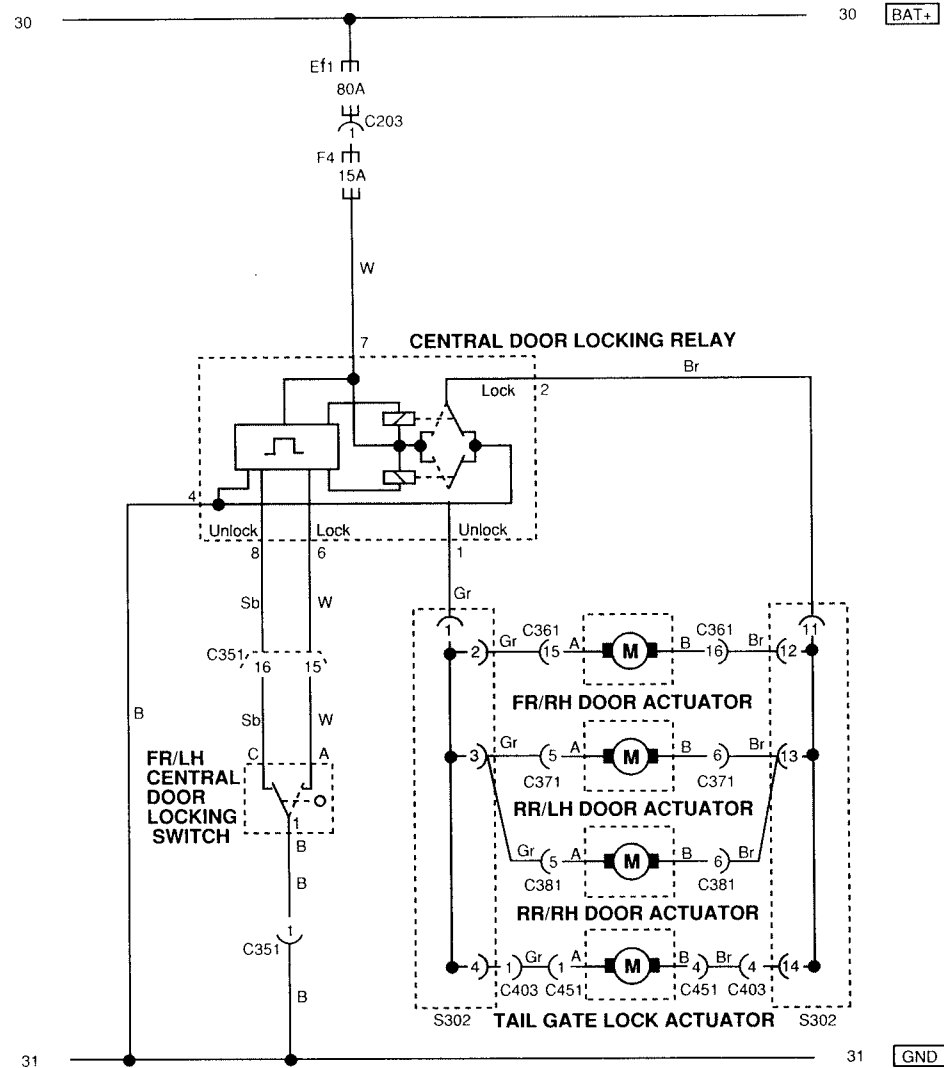
a. CONNECTOR INFORMATION

CONNECTOR(NO) (PIN NO. COLOR)	CONNECTING. WIRING HARNESS	CONNECTOR POSITION
C203 (7PIN. BROWN)	W/H Front - Floor	Connection Box Next to Passenger Room Fuse Box
C351 (21PIN. WHITE)	W/H Floor - Front Left Door	Below Front Left Door Upper Hinge
C361 (21PIN. WHITE)	W/H Floor - Front Right Door	Below Front Right Door Upper Hinge
C371 (6PIN. COLORLESS)	W/H Floor - Rear Left Door	Inside Left Center Pillar
C381 (6PIN. COLORLESS)	W/H Floor - Rear Right Door	Inside Right Center Pillar
S302 (20PIN. BLUE)	Splice Pack	Below Driver Seat
G301	Ground	Below Driver Seat
G303	Ground	Below Co-Driver Seat

b. CONNECTOR IDENTIFICATION SYMBOL & PIN NUMBER POSITION



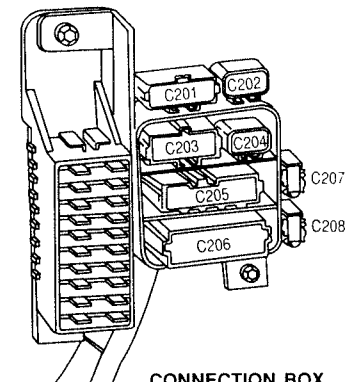
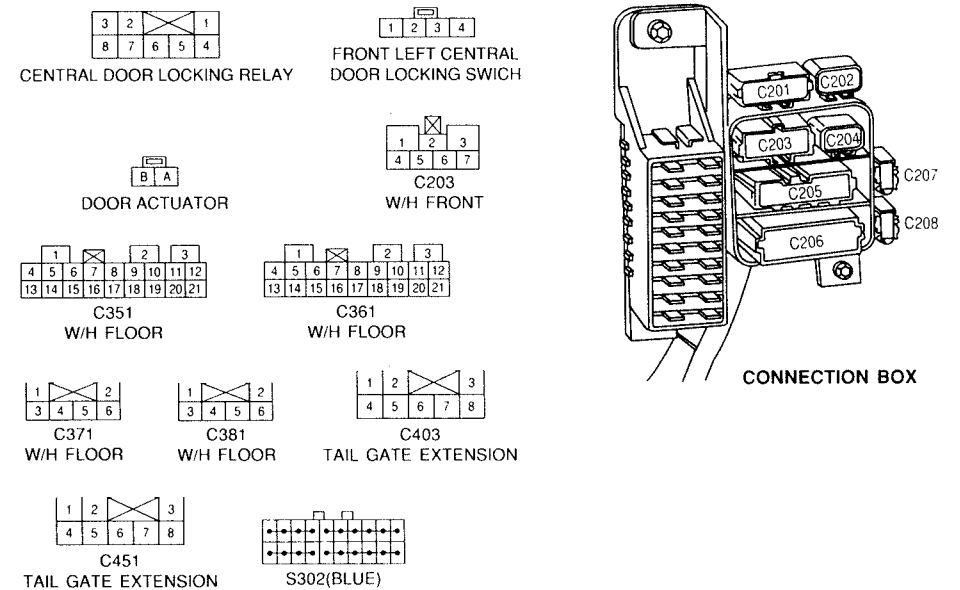
20-2. CENTRAL DOOR LOCKING CIRCUIT (HB 5 DOOR – LHD)



a. CONNECTOR INFORMATION

CONNECTOR(NO) (PIN NO. COLOR)	CONNECTING. WIRING HARNESS	CONNECTOR POSITION
C203 (7PIN. BROWN)	W/H Front - Floor	Connection Box Next to Passenger Room Fuse Box
C351 (21PIN. WHITE)	W/H Floor - Front Left Door	Below Front Left Door Upper Hinge
C361 (21PIN. WHITE)	W/H Floor - Front Right Door	Below Front Right Door Upper Hinge
C371 (6PIN. COLORLESS)	W/H Floor - Rear Left Door	InsideLeft Center Pillar
C381 (6PIN. COLORLESS)	W/H Floor - Rear Right Door	InsideRight Center Pillar
C403 (8PIN. WHITE)	W/H Floor -Tail Gate Extension	InsideTrunk
C451 (8PIN. WHITE)	W/H Tail Gate Extension -Tail Gate	InsideTail Gate
S302 (20PIN. BLUE)	Splice Pack	Below Driver Seat
G301	Ground	Below Driver Seat
G303	Ground	Below Co-Driver Seat

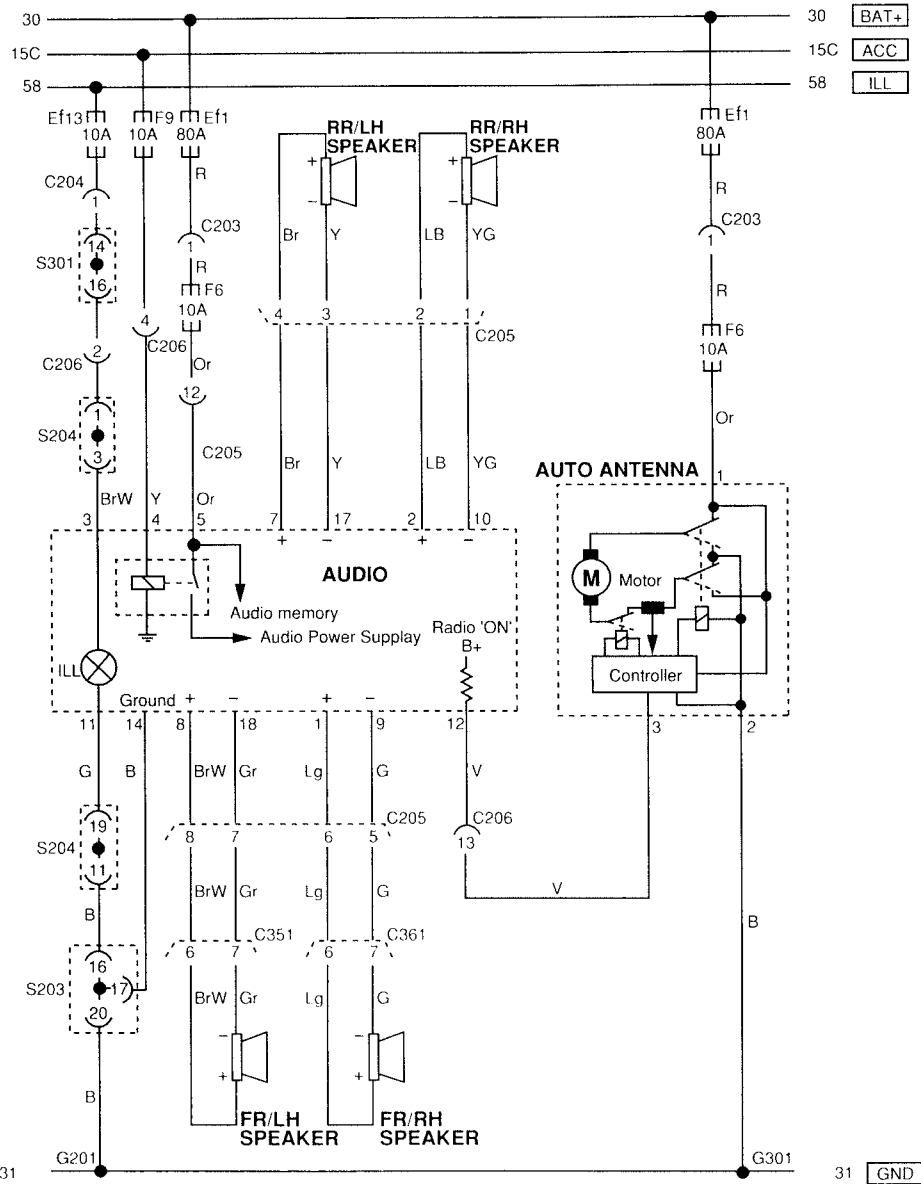
b. CONNECTOR IDENTIFICATION SYMBOL & PIN NUMBER POSITION



CONNECTION BOX

21. AUDIO (NB)

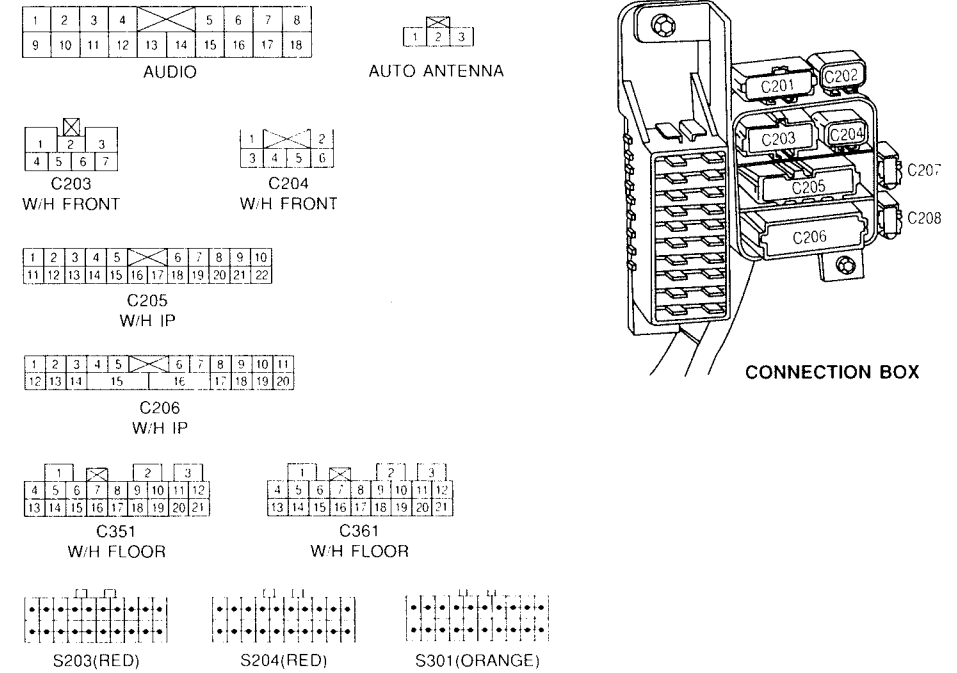
1) AUDIO. AUTO ANTENNA CIRCUIT



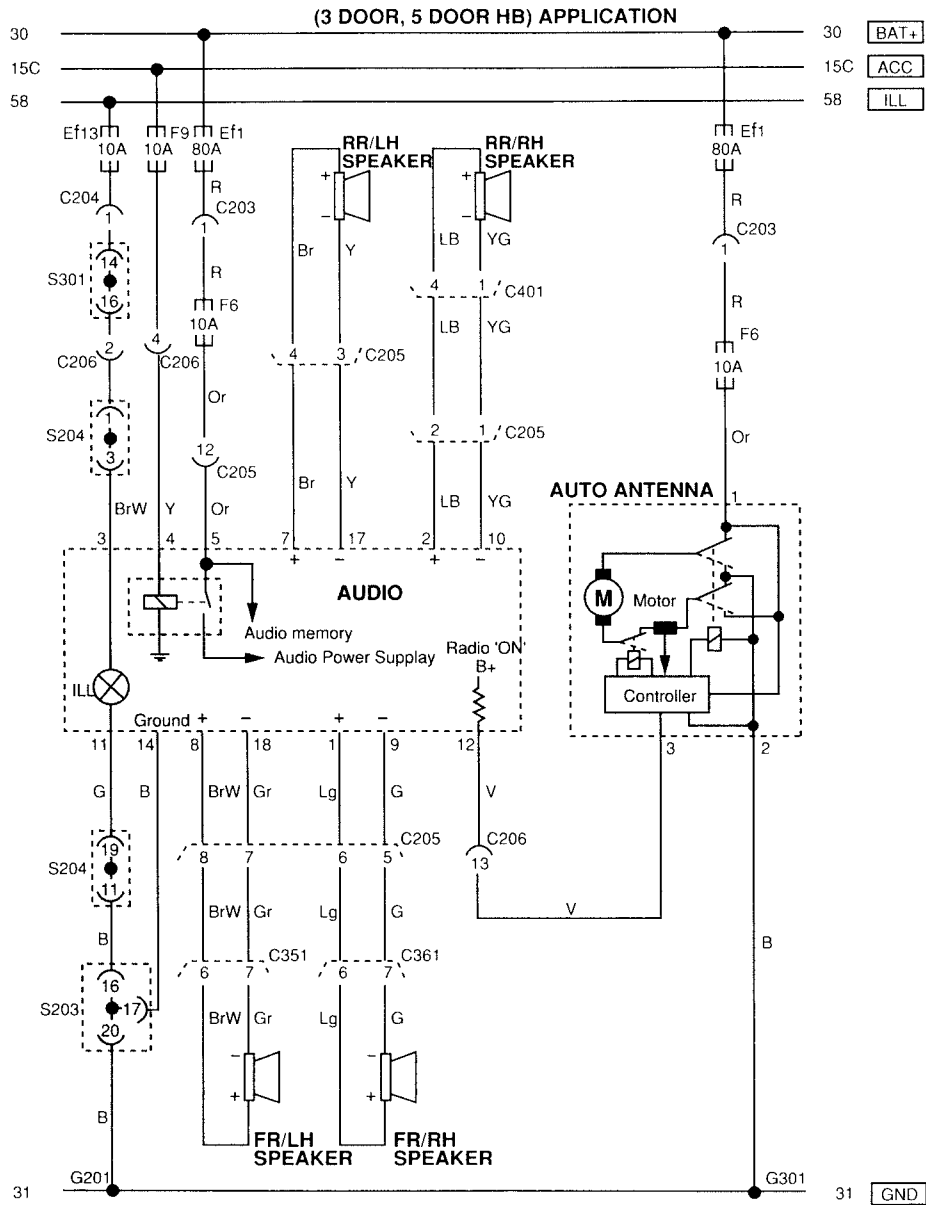
a. CONNECTOR INFORMATION

CONNECTOR(NO) (PIN NO. COLOR)	CONNECTING. WIRING HARNESS	CONNECTOR POSITION
C203 (7PIN. BROWN)	W/H Front - Floor	Connection Box next to PassengerRoom Fuse Box
C204 (6PIN. WHITE)	W/H Front - Floor	Connection Box Next to PassengerRoom Fuse Box
C205 (22PIN. YELLOW)	W/H Floor - IP	Connection Box Next to Passenger Room Fuse Box
C206 (20PIN. COLORLESS)	W/H Floor - IP	Connection Box Next to Passenger Room Fuse Box
C351 (21PIN. WHITE)	W/H Floor - Front Left Door	Below Front Left Door Upper Hinge
C361 (21PIN. WHITE)	W/H Floor - Front Right Door	Below Front Right Door Upper Hinge
S203 (20PIN. RED)	Splice Pack	Next to Passenger Room Relay Box
S204 (20PIN. RED)	Splice Pack	Above Glove Box
S301 (20PIN. ORANGE)	Splice Pack	Below Driver Seat
G201	Ground	Below Right Front Console Box
G301	Ground	Below Driver Seat

b. CONNECTOR IDENTIFICATION SYMBOL & PIN NUMBER POSITION



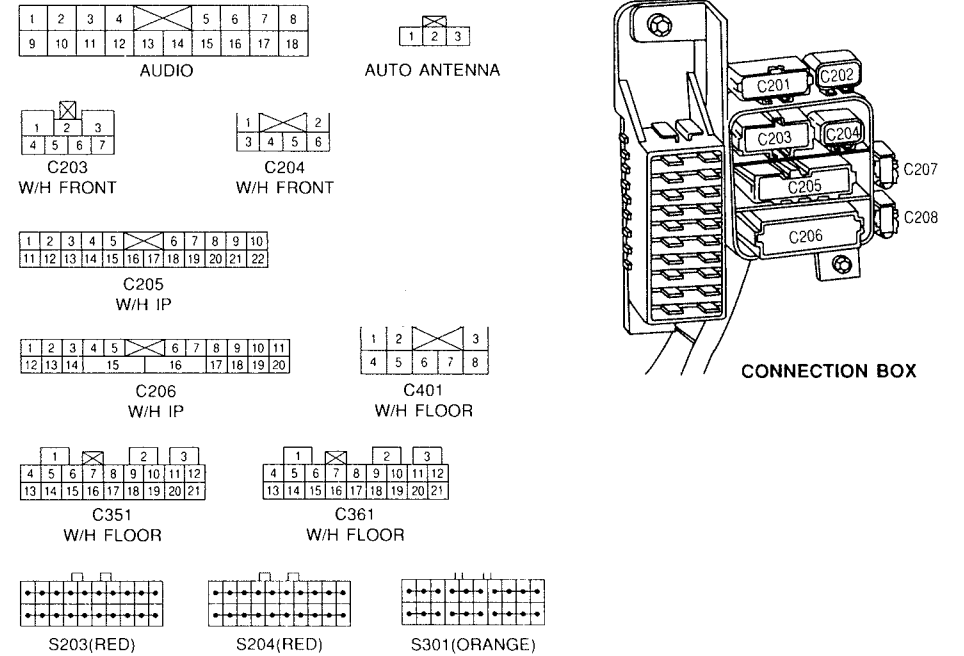
2) AUDIO. AUTO ANTENNA CIRCUIT (HB)



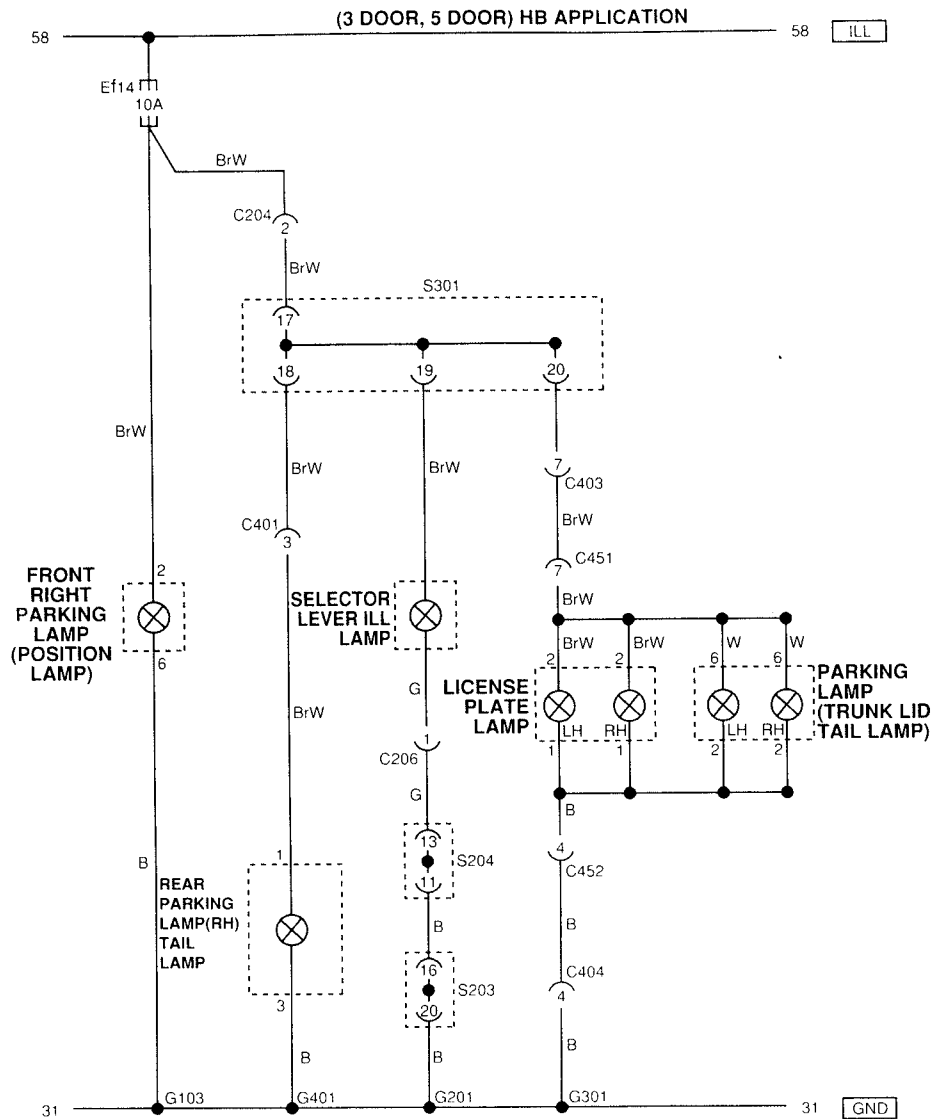
a. CONNECTOR INFORMATION

CONNECTOR(NO) (PIN NO. COLOR)	CONNECTING. WIRING HARNESS	CONNECTOR POSITION
C203 (7PIN. BROWN)	W/H Front - Floor	Connection Box Next to Passenger Room Fuse Box
C204 (6PIN. WHITE)	W/H Front - Floor	Connection Box Next to Passenger Room Fuse Box
C205 (22PIN. YELLOW)	W/H Floor - IP	Connection Box Next to Passenger Room Fuse Box
C206 (20PIN. COLORLESS)	W/H Floor - IP	Connection Box Next to Passenger Room Fuse Box
C351 (21PIN. WHITE)	W/H Floor - Front Left Door	Below Front Left Door Upper Hinge
C361 (21PIN. WHITE)	W/H Floor - Front Right Door	Below Front Right Door Upper Hinge
C401 (8PIN. WHITE)	W/H Floor - Trunk	Abdve Left Seat Beit Retractor In Trunk
S203 (20PIN. RED)	Splice Pack	Next to Passenger Room Relay Box
S204 (20PIN. RED)	Splice Pack	Above Glove Box
S301 (20PIN. ORANGE)	Splice Pack	Below Driver Seat
G201	Ground	Below Right Front Console Box
G301	Ground	Below Driver Seat

b. CONNECTOR IDENTIFICATION SYMBOL & PIN NUMBER POSITION



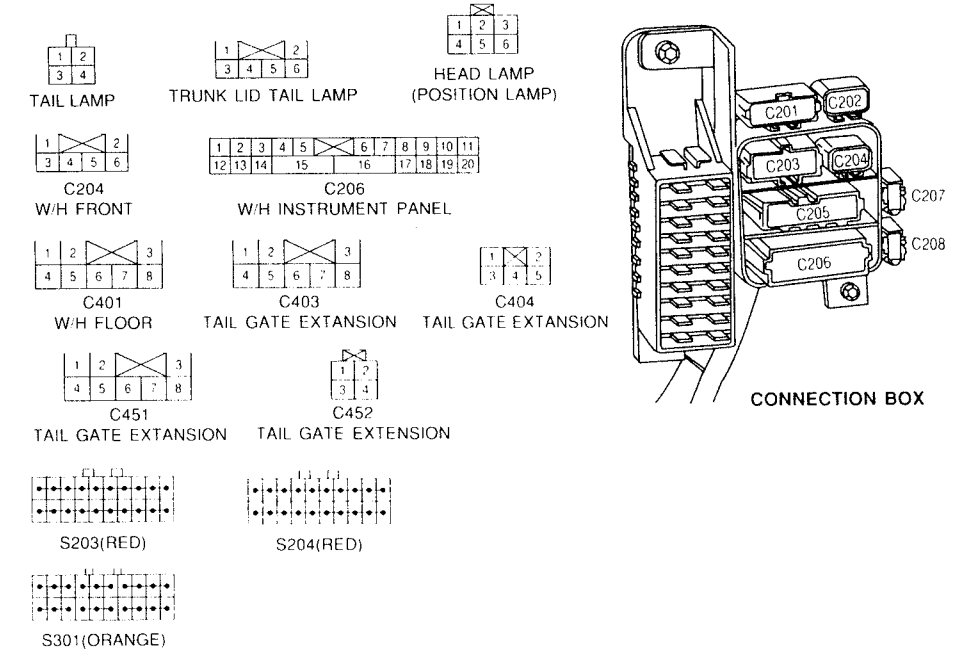
3-1) PARKING LAMP(RH), LICENSE PLATE LAMP, TRUNK LID TAIL LAMP PARKING LAMP (H/B)



a. CONNECTOR INFORMATION

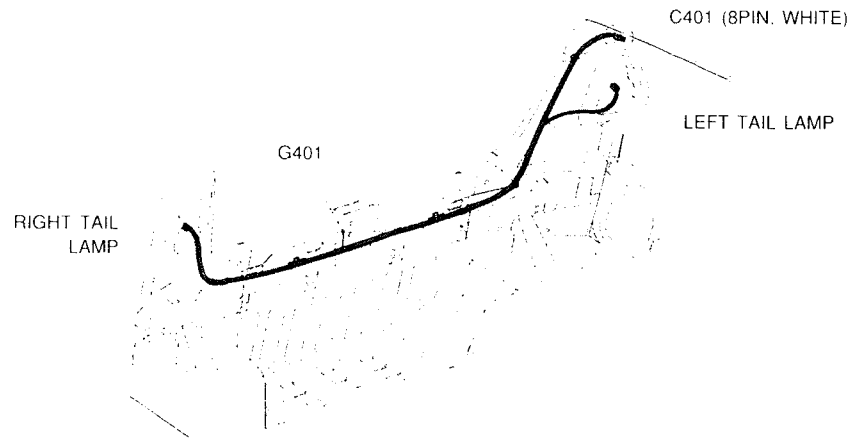
CONNECTOR(NO) (PIN NO. COLOR)	CONNECTING. WIRING HARNESS	CONNECTOR POSITION
C204(6PIN. WHITE)	W/H Front - Floor	Connection Box Next to Passenger Room Fuse Box
C206(20PIN. COLORLESS)	W/H Floor - IP	Connection Box Next to Passenger Room Fuse Box
C401(8PIN. WHITE)	W/H Floor -Trunk	Above Left Seat Belt Retractor In Trunk
C403(8PIN. WHITE)	W/H Floor - Tail Gate Extension	Inside Trunk
C404(5PIN. WHITE)	W/H Floor - Tail Gate Extension	Inside Trunk
C451(8PIN. WHITE)	W/H Tail Gate Extension - Tail Gate	Inside Tail Gate
C452(3PIN. WHITE)	W/H Tail Gate Extension -Tail Gate	Inside Tail Gate
S203(20PIN. RED)	Splice Pack	Next to Passenger Room Relay Box
S204(20PIN. RED)	Splice Pack	Above Glove Box
S301(20PIN. ORANGE)	Splice Pack	Below Driver Seat
G103	Ground	Fender Next to Air Cleaner Housing
G201	Ground	Below Right Front Consie Box
G301	Ground	Below Driver Seat
G401	Ground	Center Of Rear End Panel In Trunk

b. CONNECTOR IDENTIFICATION SYMBOL & PIN NUMBER POSITION

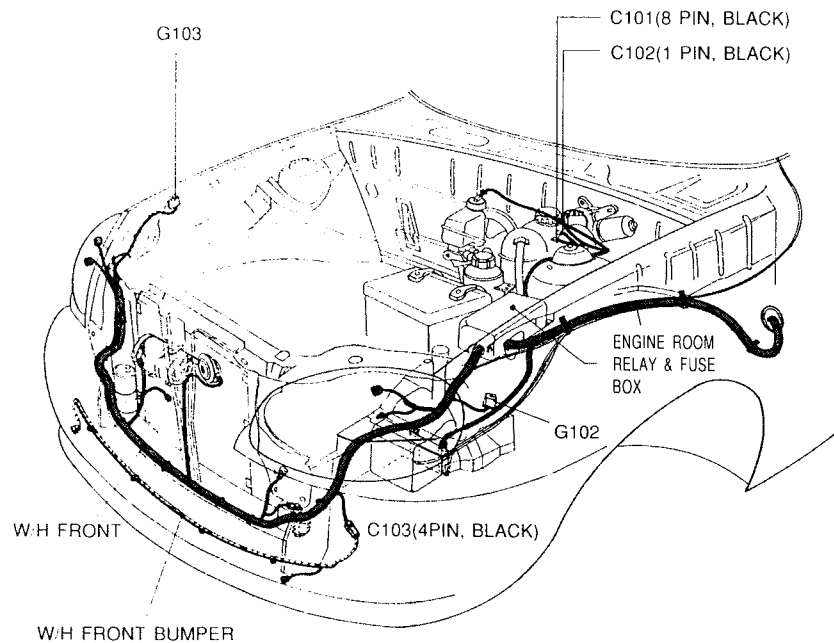


c. POSITION OF CONNECTORS AND GROUNDS

█ W/H TRUNK

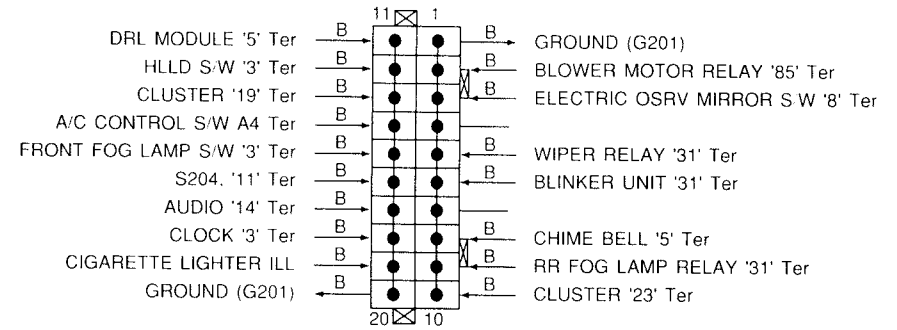


█ W/H FRONT
 □ W/H FRONT BUMPER

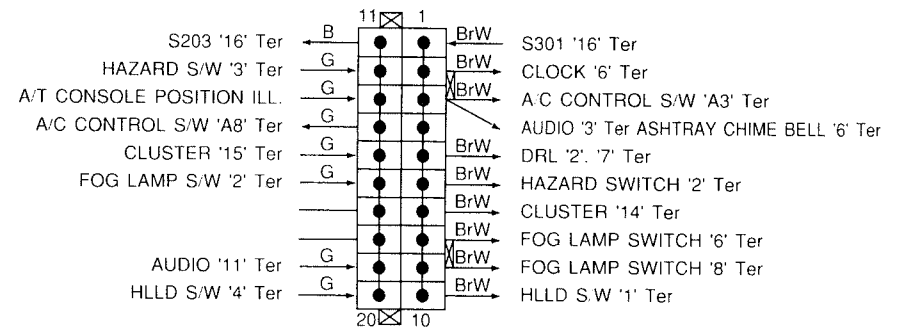


d. SPLICE PACK

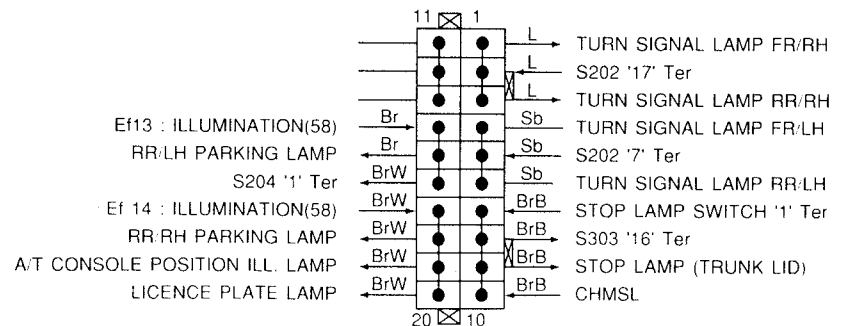
S203(RED)



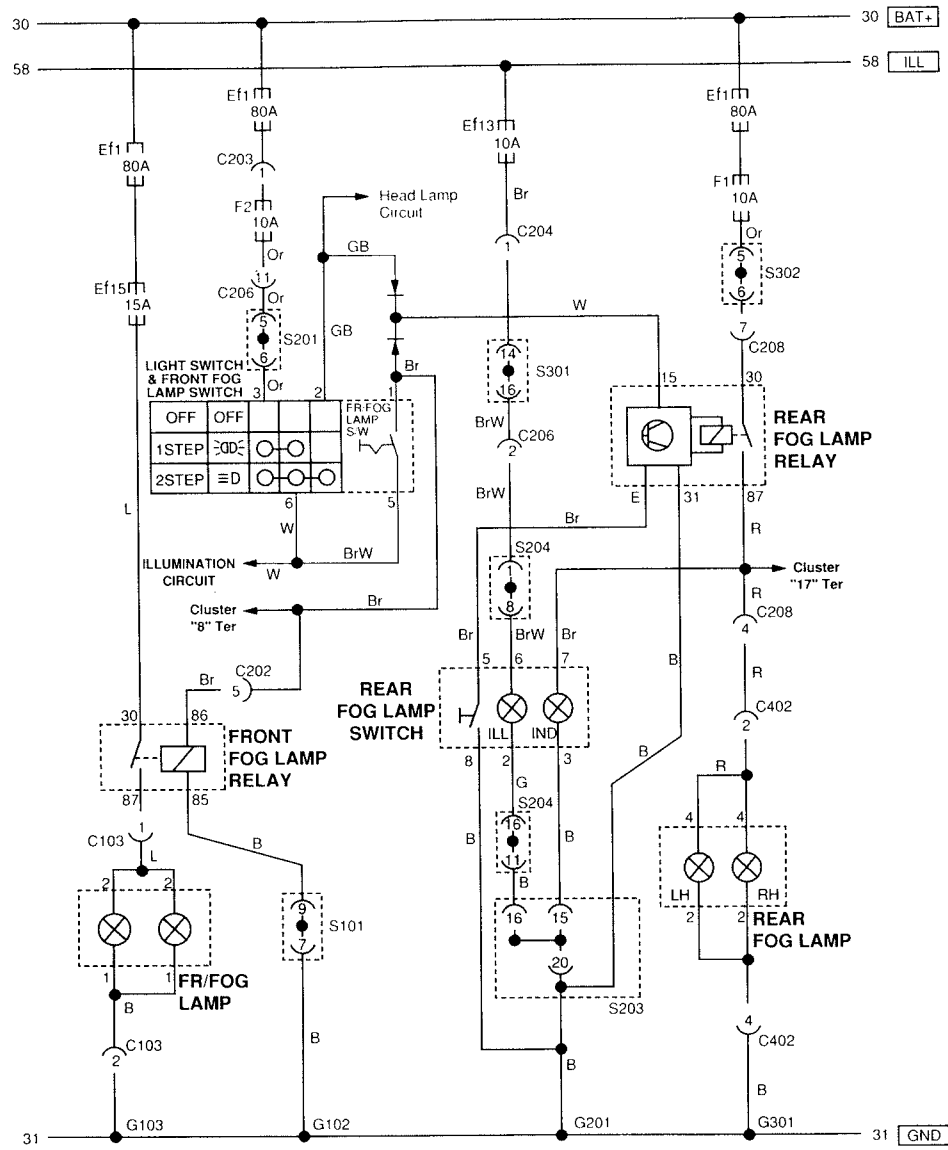
S204(RED)



S301(ORANGE)



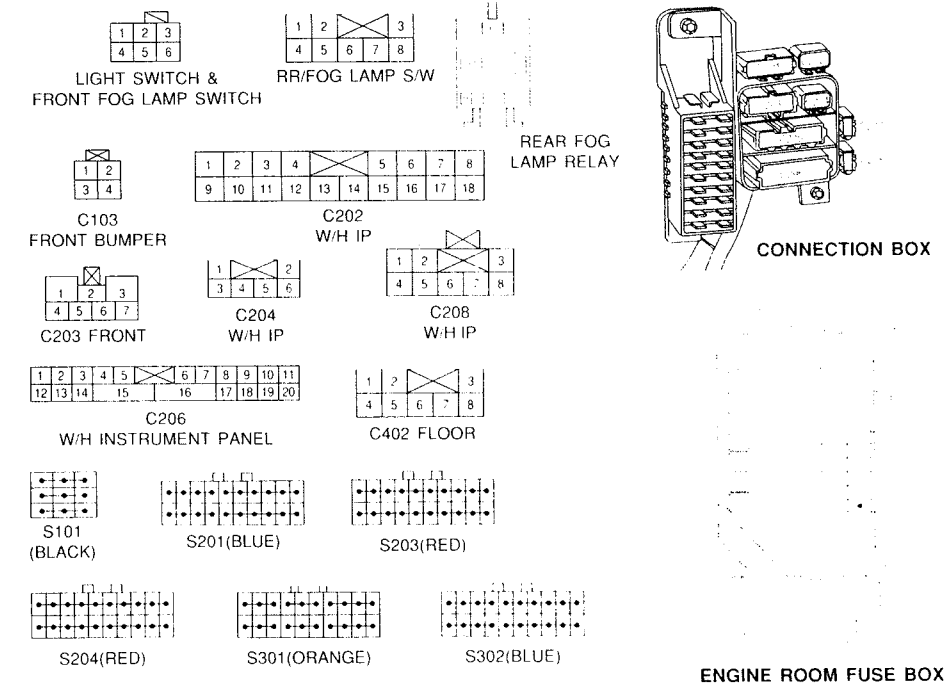
8. FRONT & REAR FOG LAMP CIRCUIT(NB)



a. CONNECTOR INFORMATION

CONNECTOR(NO) (PIN NO. COLOR)	CONNECTING. WIRING HARNESS	CONNECTOR POSITION
C103(4PIN. BLACK)	W/H Front - Front Bumper	Below Left Engine Radiator
C202(18PIN. WHITE)	W/H Front - IP	Connection Box Next to Passenger Room Tuse Box
C203(7PIN. BROWN)	W/H Front - Floor	Connection Box Next to Passenger Room Tuse Box
C204(6PIN. WHITE)	W/H Front - Floor	Connection Box Next to Passenger Room Tuse Box
C206(20PIN. COLORLESS)	W/H Floor - IP	Connection Box Next to Passenger Room Tuse Box
C208(8PIN. WHITE)	W/H Floor - IP	Connection Box Next to Passenger Room Tuse Box
C402(8PIN. WHITE)	W/H Floor- Trunk Lid	Above Left Tail Lamp In Turnk
S101(9PIN. BLACK)	Splice Pack	Engine Room Relay And Fuse Box
S201(20PIN. BLUE)	Splice Pack	Next to Passenger Room Relay Box
S203(20PIN. RED)	Splice Pack	Nexto to Passenger Room Relay Box
S204(20PIN. RED)	Splice Pack	Above Glove Box
S301(20PIN. ORANGE)	Splice Pack	Below Driver Seat
S302(20PIN. BLUE)	Splice Pack	Below Driver Seat
G102	Ground	Fender Below Engine Room Fuse Box
G103	Ground	Fender Next to Air Dleaner Housing
G201	Ground	Below Right Front Console Box
G301	Ground	Below Driver Seat

b. CONNECTOR IDENTIFICATION SYMBOL & PIN NUMBER POSITION

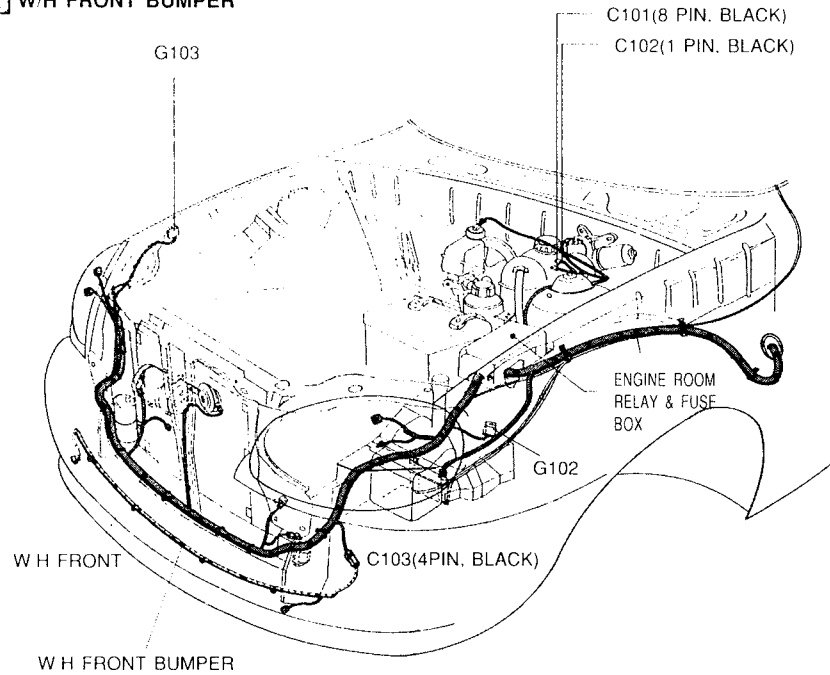


ENGINE ROOM FUSE BOX

c. POSITION OF CONNECTORS AND GROUNDS

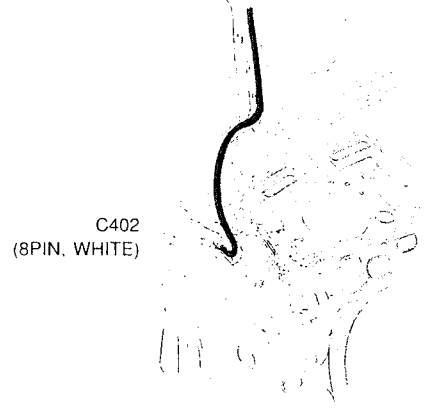
W/H FRONT

W/H FRONT BUMPER



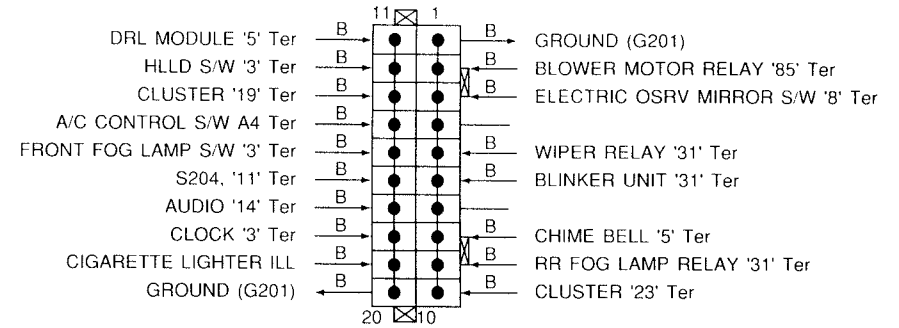
W/H TRUNK LID

TRUNK INSIDE LEFT

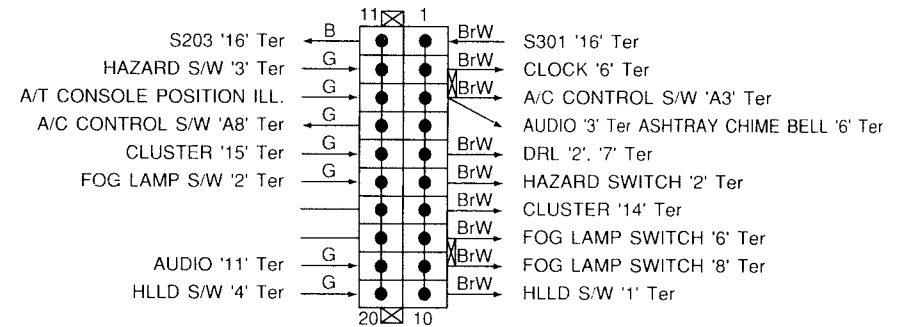


d. SPLICE PACK

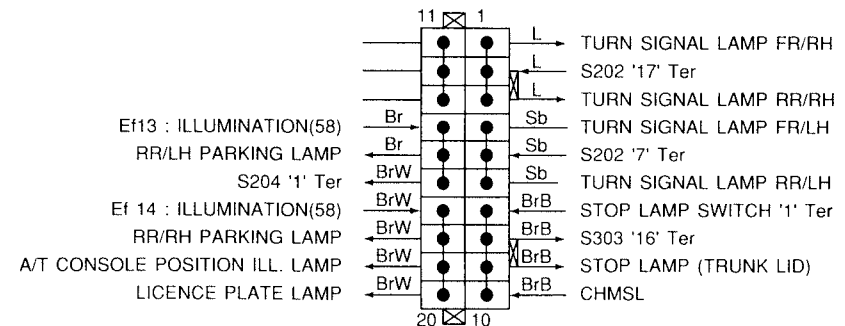
S203(RED)



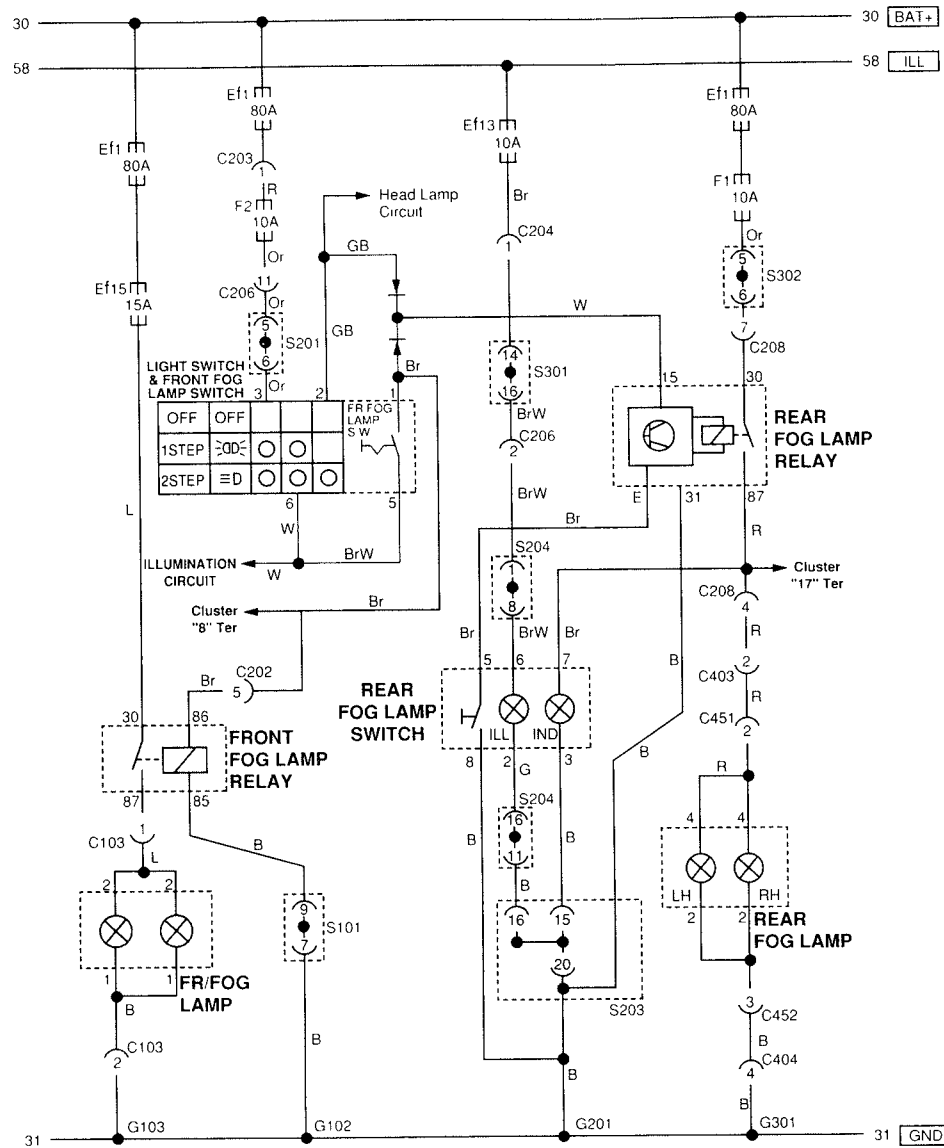
S204(RED)



S301(ORANGE)



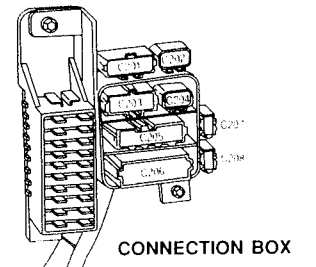
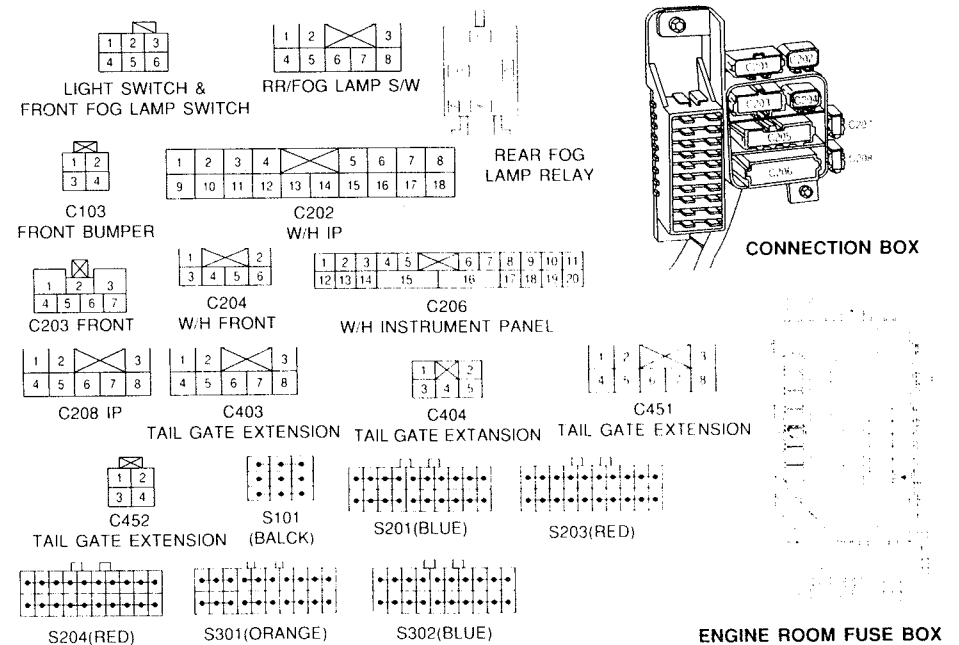
8-1. FRONT & REAR FOG LAMP CIRCUIT(HB)




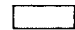
a. CONNECTOR INFORMATION

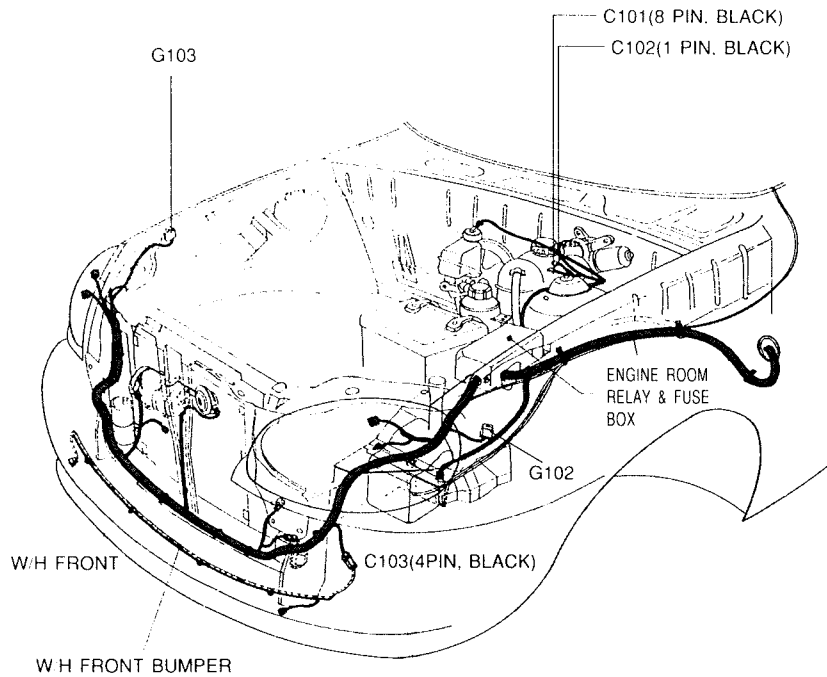
CONNECTOR(NO) (PIN NO. COLOR)	CONNECTING. WIRING HARNESS	CONNECTOR POSITION
C103(4PIN. BLACK)	W/H Front - Front Bumper	Below left engine radiator
C202(18PIN. WHITE)	W/H Front - IP	Connection Box Next to Passenger Room Fuse Box
C203(7PIN. BROWN)	W/H Front - Floor	Connection Box Next to Passenger Room Fuse Box
C204(6PIN. WHITE)	W/H Front - Floor	Connection Box Next to Passenger Room Fuse Box
C206(20PIN. COLORLESS)	W/H Floor - IP	Connection Box Next to Passenger Room Fuse Box
C208(8PIN. WHITE)	W/H Floor - IP	Connection Box Next to Passenger Room Fuse Box
C403 (8PIN. WHITE)	W/H Floor- Tail Gate Extension	Inside Trunk
C404(5PIN. WHITE)	W/H Floor- Tail Gate Extension	Inside Tail Gate
C451 (8PIN. WHITE)	Tail Gate Extension -Tail Gate	Inside Tail Gate
C452(3PIN. WHITE)	Tail Gate Extension -Tail Gate	Inside Tail Gate
S101(9PIN. BLACK)	Splice Pack	Engine Room Relay And Fuse Box
S201(20PIN. BLUE)	Splice Pack	Next to Passenger Room Relay Box
S203(20PIN. RED)	Splice Pack	Next to Passenger Room Relay Box
S204(20PIN. RED)	Splice Pack	Above Glove Box
S301(20PIN. ORANGE)	Splice Pack	Below Driver Seat
S302(20PIN. BLUE)	Splice Pack	Below Driver Seat
G102	Ground	Fender Below Engine Room Fuse Box
G103	Ground	Fender Next to Air Cleaner Housing
G201	Ground	Below Right Front Console Box
G301	Ground	Below Driver Seat

b. CONNECTOR IDENTIFICATION SYMBOL & PIN NUMBER POSITION



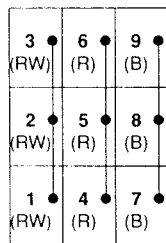
c. POSITION OF CONNECTORS AND GROUNDS

 W/H FRONT
 W/H FRONT BUMPER



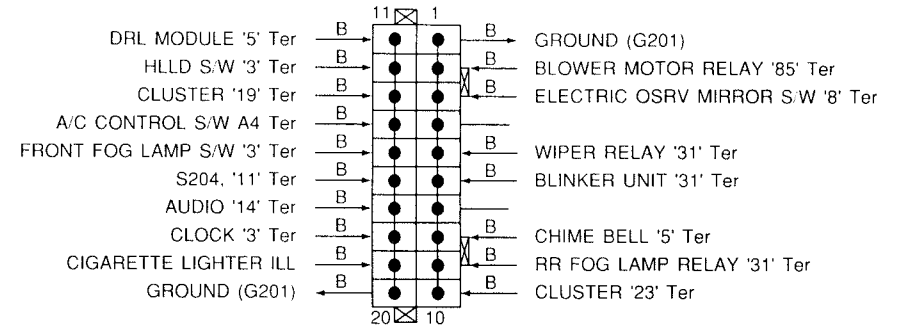
d. SPLICE PACK

S101(BLACK)

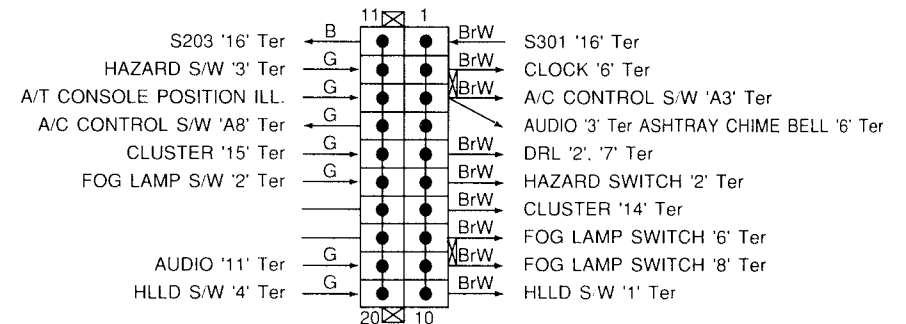


- IGN2(F19) POWER SUPPLY
A/C COMP. RELAY '86" Ter
COOLING FAN CONTROL RELAY "86" Ter
- COOLING FAN RELAY A : '86" Ter
B : '86" Ter
- REAR WINDOW DEFROSTER RELAY : '86" Ter
POWER WINDOW RELAY : '86" Ter
- BATTERY POWER SUPPLY(Ef4)
- COOLING FAN RELAY A : '30" Ter
- COOLING FAN RELAY B : '30" Ter
- GROUND(G102)
DIODE (D9)
- HEAD LAMP & ILL. RELAY '85" Ter
POWER WINDOW RELAY '85" Ter
- FR/FOG LAMP RELAY '85" Ter

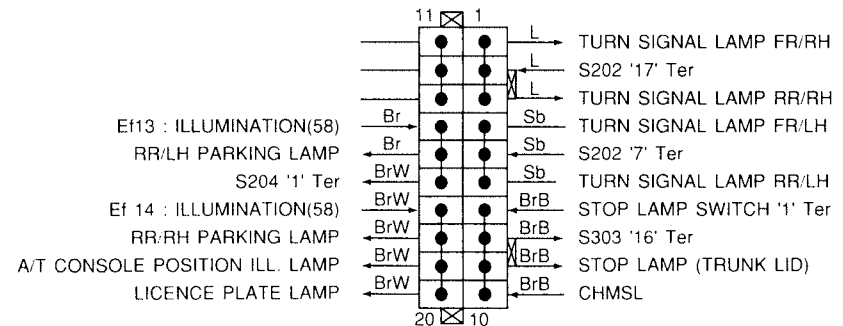
S203(RED)



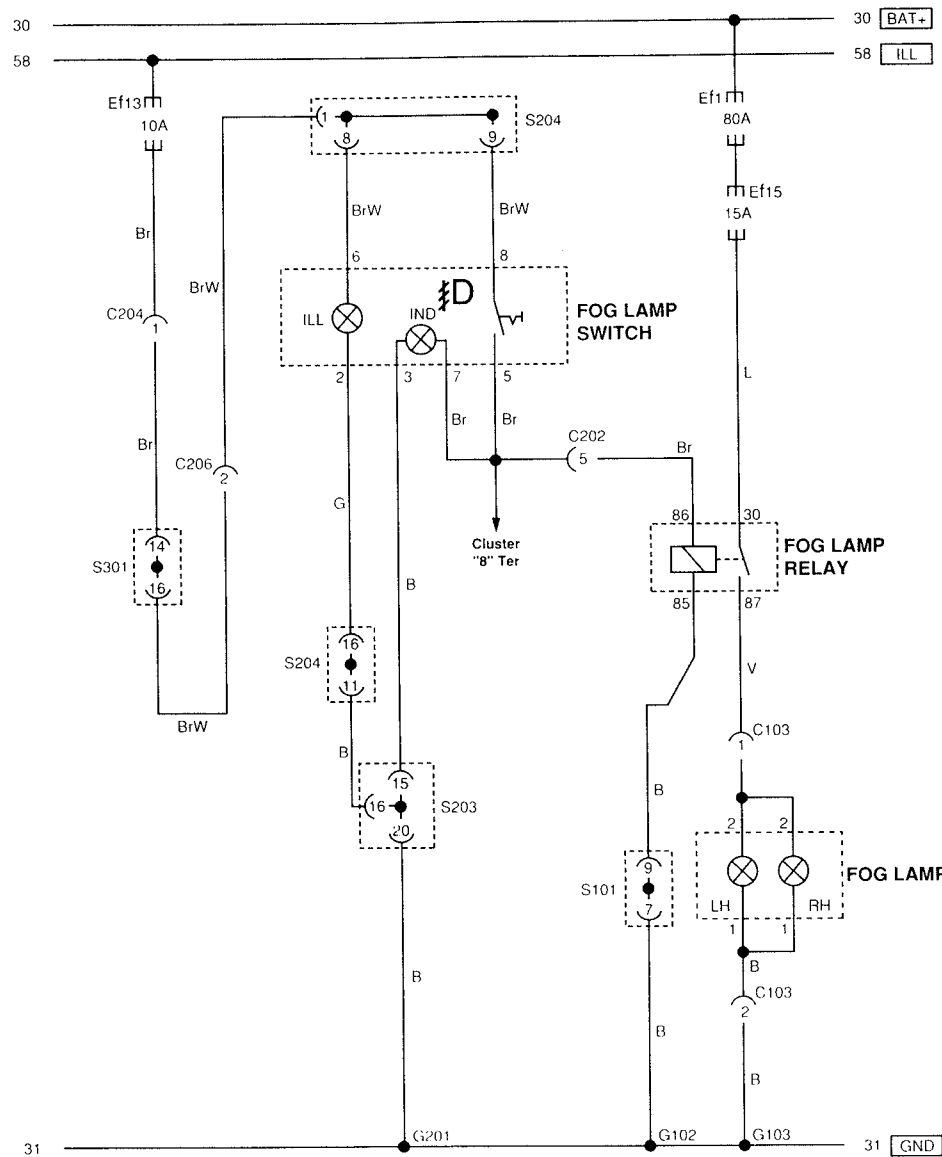
S204(RED)



S301(ORANGE)



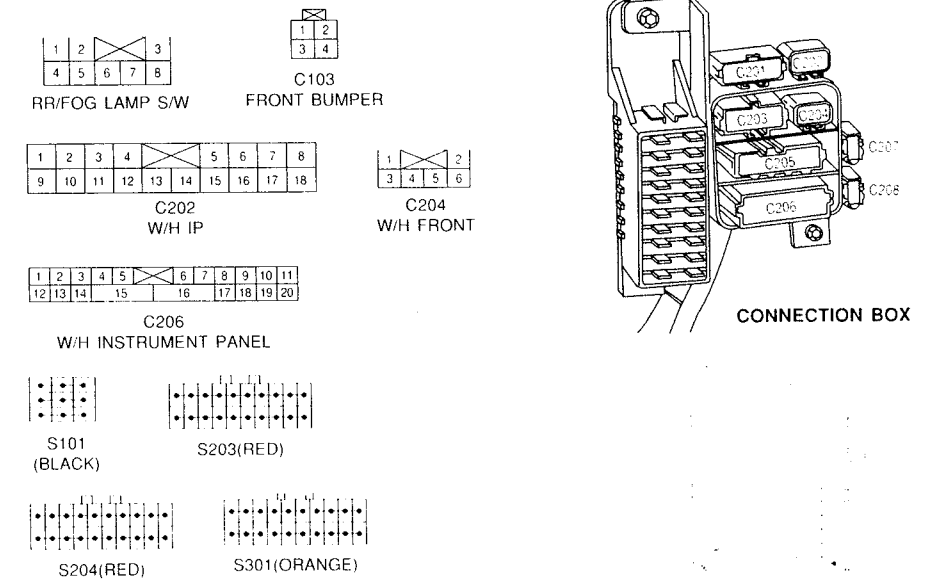
8-2. FRONT FOG LAMP (ONLY) CIRCUIT



a. CONNECTOR INFORMATION


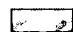
CONNECTOR(NO) (PIN NO. COLOR)	CONNECTING. WIRING HARNESS	CONNECTOR POSITION
C103(4PIN. BLACK)	W/H Front - Front Bumper	Below left engine radiator
C202(18PIN. WHITE)	W/H Front - IP	Connection Box Next to Passenger Room Fuse Box
C204(6PIN. WHITE)	W/H Front - Floor	Connection Box Next to Passenger Room Fuse Box
C206(20PIN. COLORLESS)	W/H Floor - IP	Connection Box Next to Passenger Room Fuse Box
S101(9PIN. BLACK)	Splice Pack	Engine Room Relay And Fuse Box
S203(20PIN. RED)	Splice Pack	Next to Passenger Room Relay Box
S204(20PIN. RED)	Splice Pack	Above Glove Box
S301(20PIN. ORANGE)	Splice Pack	Below Driver Seat
G102	Ground	Fender Below Engine Room Fuse Box
G103	Ground	Fender Next to Air Cleaner Housing
G201	Ground	Below Right Front Console Box

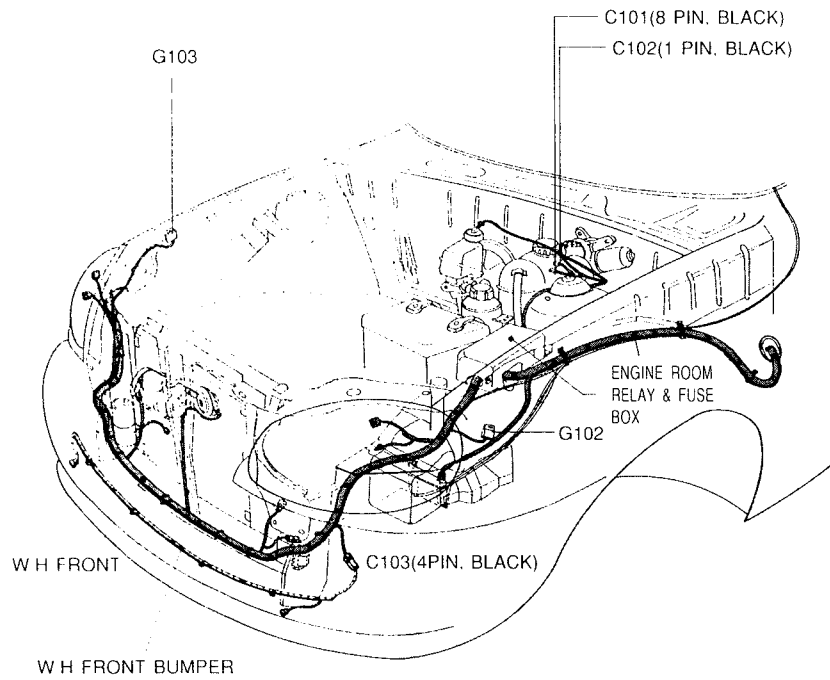
b. CONNECTOR IDENTIFICATION SYMBOL & PIN NUMBER POSITION



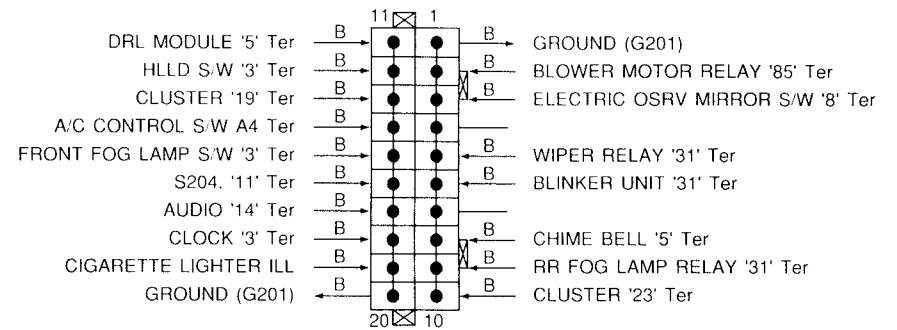
ENGINE ROOM FUSE BOX

c. POSITION OF CONNECTORS AND GROUNDS

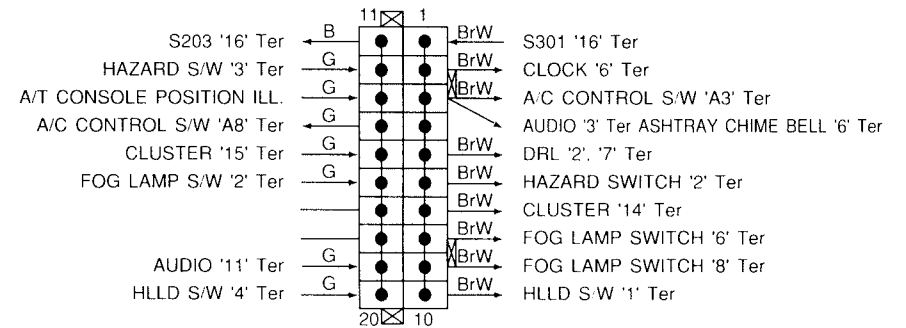
-  W/H FRONT
-  W/H FRONT BUMPER



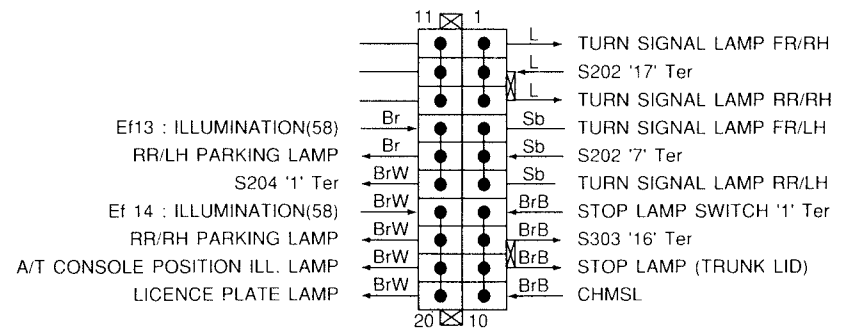
S203(RED)



S204(RED)

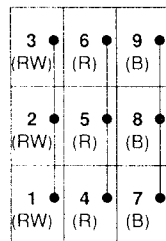


S301(ORANGE)



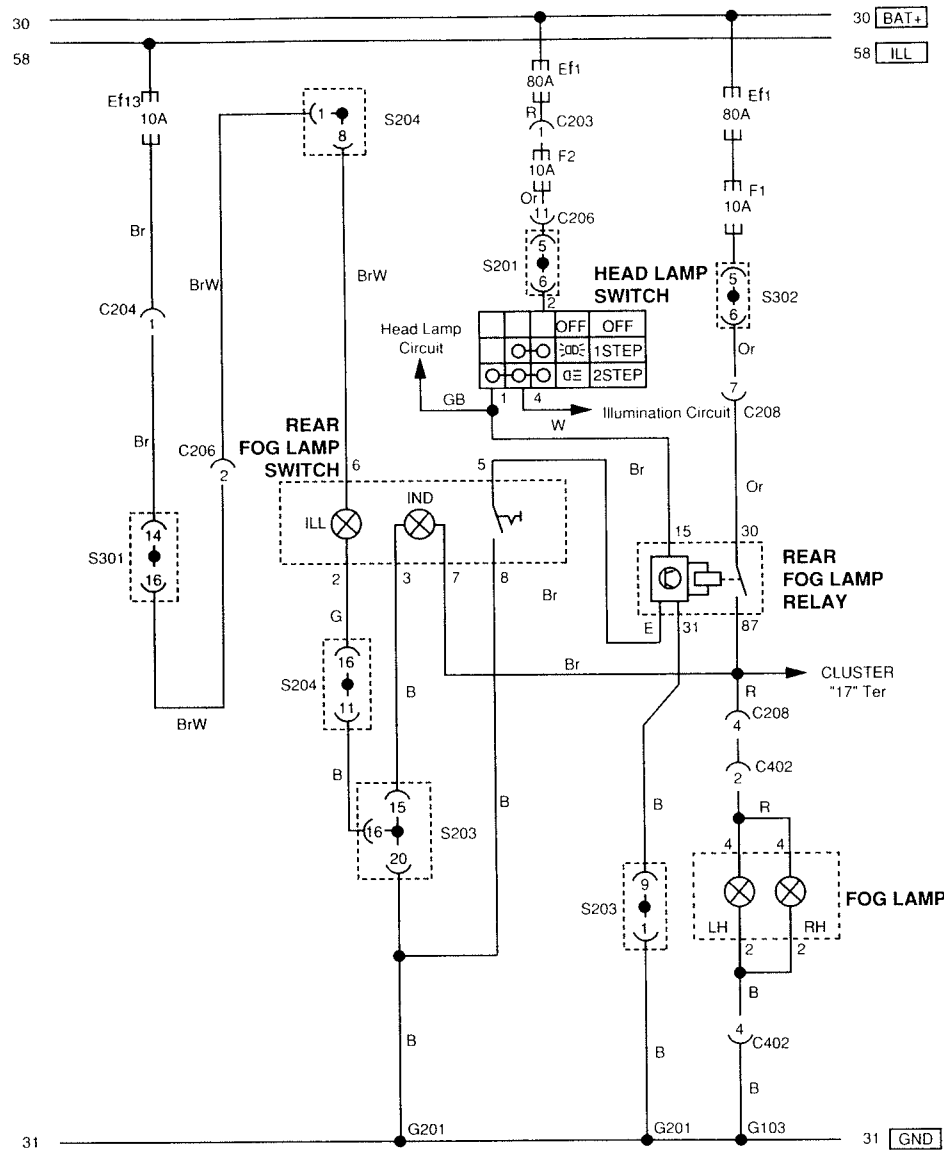
d. SPLICE PACK

S101(BLACK)



1. IGN2(F19) POWER SUPPLY
A/C COMP. RELAY '86" Ter
COOLING FAN CONTROL RELAY '86" Ter
2. COOLING FAN RELAY A : '86" Ter
B : '86" Ter
3. REAR WINDOW DEFROSTER RELAY : '86" Ter
POWER WINDOW RELAY : '86" Ter
4. BATTERY POWER SUPPLY(Ef14)
5. COOLING FAN RELAY A : '30" Ter
6. COOLING FAN RELAY B : '30" Ter
7. GROUND(G102)
DIODE (D9)
8. HEAD LAMP & ILL. RELAY '85" Ter
POWER WINDOW RELAY '85" Ter
9. FR/FOG LAMP RELAY '85" Ter

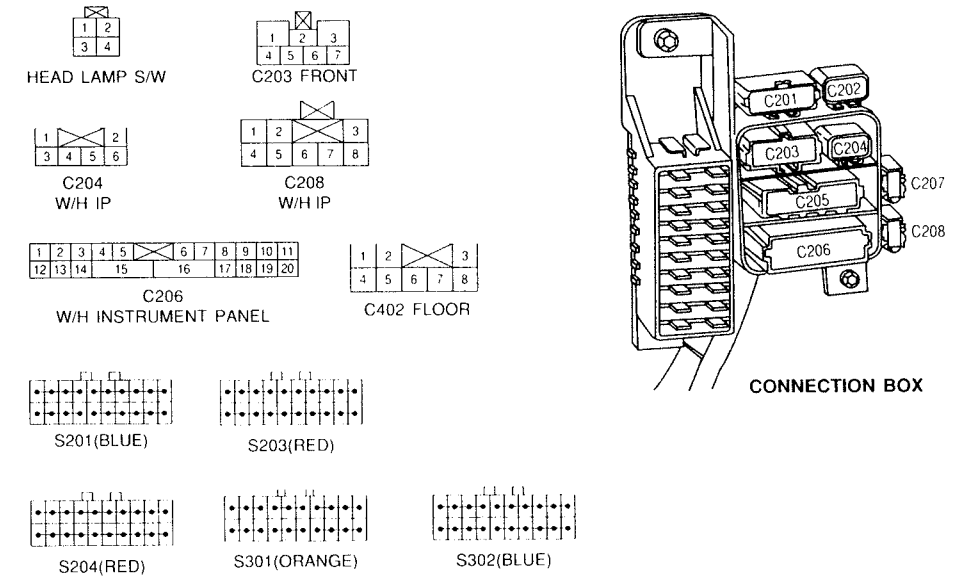
8-3. REAR FOG LAMP (ONLY) CIRCUIT (NB)



a. CONNECTOR INFORMATION

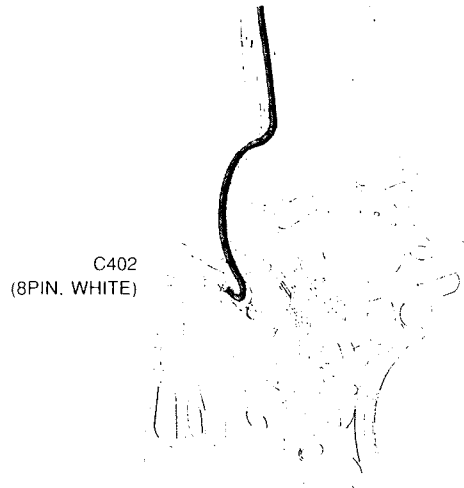
CONNECTOR(NO) (PIN NO. COLOR)	CONNECTING. WIRING HARNESS	CONNECTOR POSITION
C203(7PIN. BROWN)	W/H Front - Floor	Connection Box Next to Passenger Room Fuse Box
C204(6PIN. WHITE)	W/H Front - Floor	Connection Box Next to Passenger Room Fuse Box
C206(20PIN. COLORLESS)	W/H Floor - IP	Connection Box Next to Passenger Room Fuse Box
C208(8PIN. WHITE)	W/H Floor - IP	Connection Box Next to Passenger Room Fuse Box
C402(8PIN. WHITE)	W/H Floor - Trunk Lid	Above Left Tail Lamp in Trunk
S201(20PIN. BLUE)	Splice Pack	Next to Passenger Room Relay Box
S203(20PIN. RED)	Splice Pack	Next to Passenger Room Relay Box
S204(20PIN. RED)	Splice Pack	Above Glove Box
S301(20PIN. ORANGE)	Splice Pack	Below Driver Seat
S302(20PIN. BLUE)	Splice Pack	Below Driver Seat
G201	Ground	Below Right Front Console Box
G301	Ground	Below Driver Seat

b. CONNECTOR IDENTIFICATION SYMBOL & PIN NUMBER POSITION



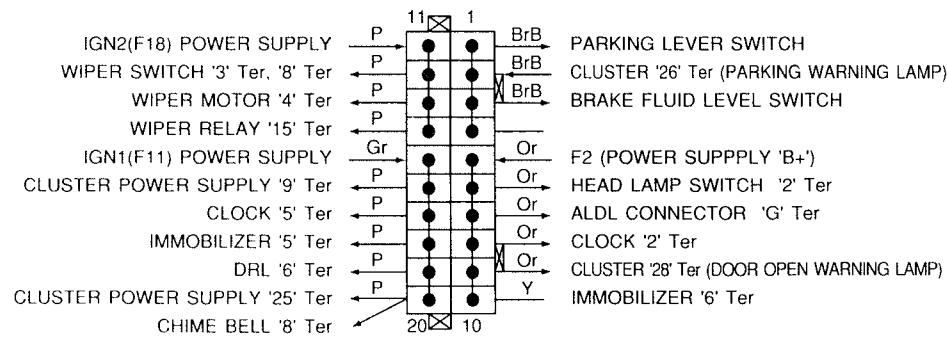
c. POSITION OF CONNECTORS AND GROUNDS

- W/H TRUNK LID
- TRUNK INSIDE LEFT

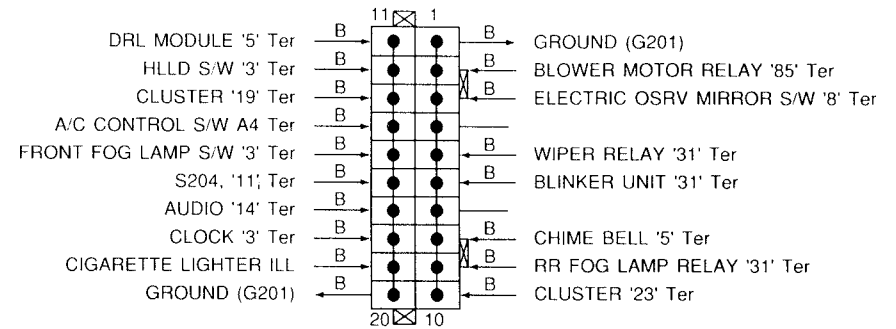


d. SPLICE PACK

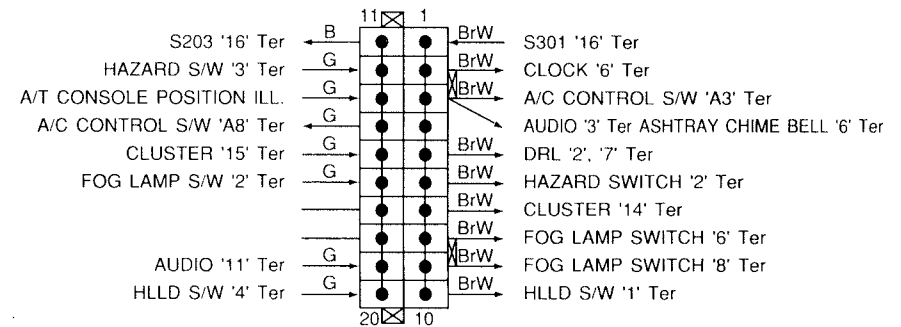
S201(BLUE)



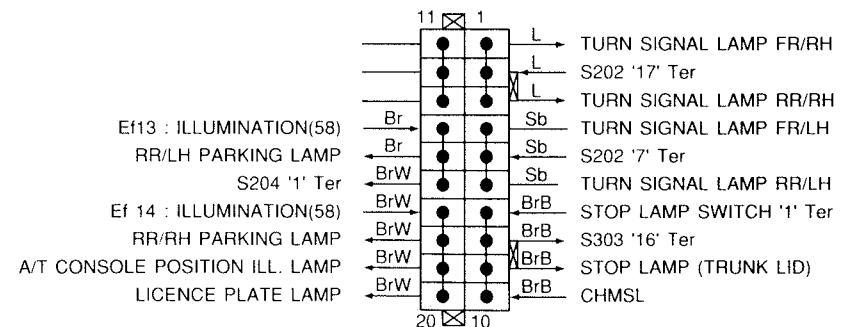
S203(RED)



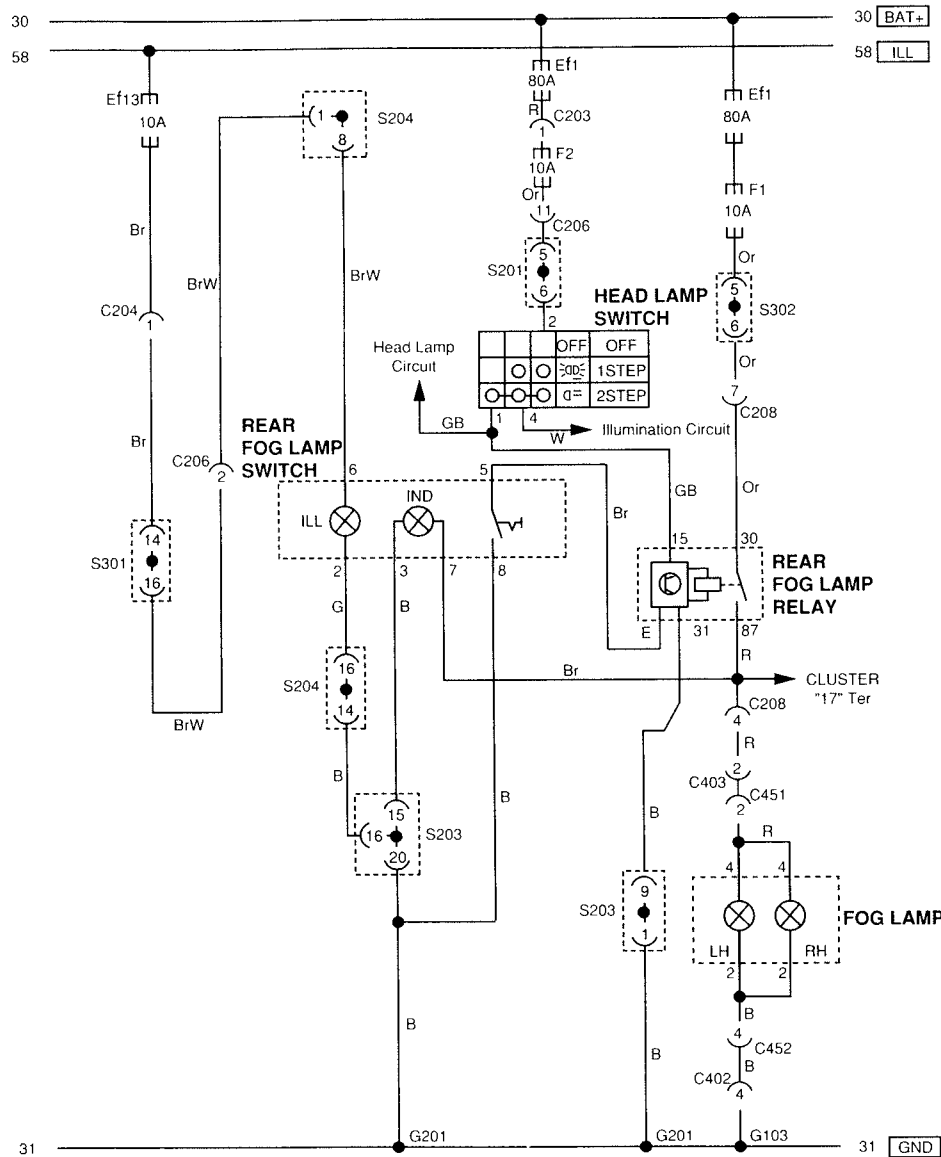
S204(RED)



S301(ORANGE)



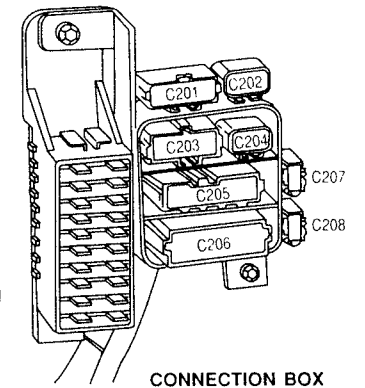
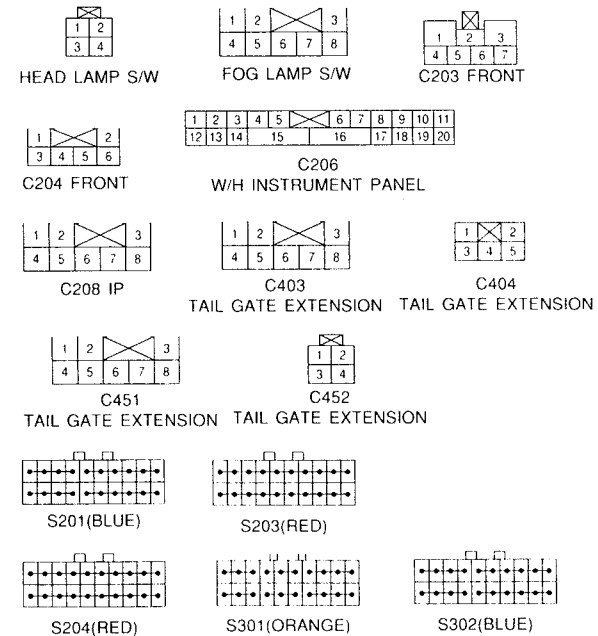
8-4. REAR FOG LAMP (ONLY) CIRCUIT (HB)



a. CONNECTOR INFORMATION

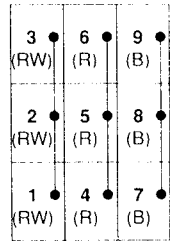
CONNECTOR(NO) (PIN NO. COLOR)	CONNECTING. WIRING HARNESS	CONNECTOR POSITION
C203(7PIN. BROWN)	W/H Front - Floor	Connection Box Next to Passenger Room Fuse Box
C204(6PIN. WHITE)	W/H Front - Floor	Connection Box Next to Passenger Room Fuse Box
C206(20PIN. COLORLESS)	W/H Floor - IP	Connection Box Next to Passenger Room Fuse Box
C208(8PIN. WHITE)	W/H Floor - IP	Connection Box Next to Passenger Room Fuse Box
C403 (8PIN. WHITE)	W/H Floor- Tail Gate Extension	Inside Trunk
C404(5PIN. WHITE)	W/H Floor- Tail Gate Extension	Inside Tail Gate
C451 (8PIN. WHITE)	Tail Gate Extension -Tail Gate	Inside Tail Gate
C452(3PIN. WHITE)	Tail Gate Extension -Tail Gate	Inside Tail Gate
S201(20PIN. BLUE)	Splice Pack	Next to Passenger Room Relay Box
S203(20PIN. RED)	Splice Pack	Next to Passenger Room Relay Box
S204(20PIN. RED)	Splice Pack	Above Glove Box
S301(20PIN. ORANGE)	Splice Pack	Below Driver Seat
S302(20PIN. BLUE)	Splice Pack	Below Driver Seat
G201	Ground	Below Right Front Console Box
G301	Ground	Below Driver Seat

b. CONNECTOR IDENTIFICATION SYMBOL & PIN NUMBER POSITION



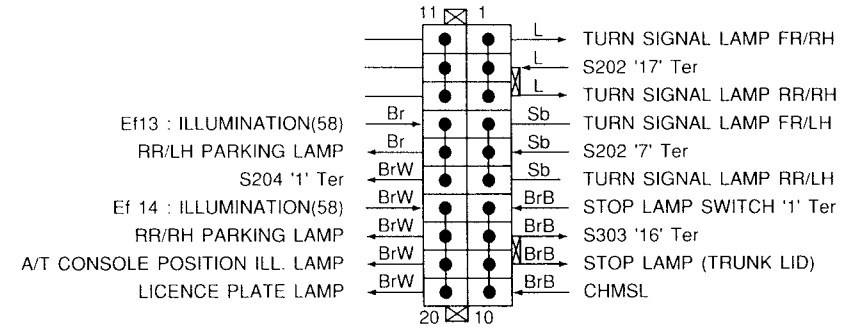
c. SPLICE PACK

S101(BLACK)

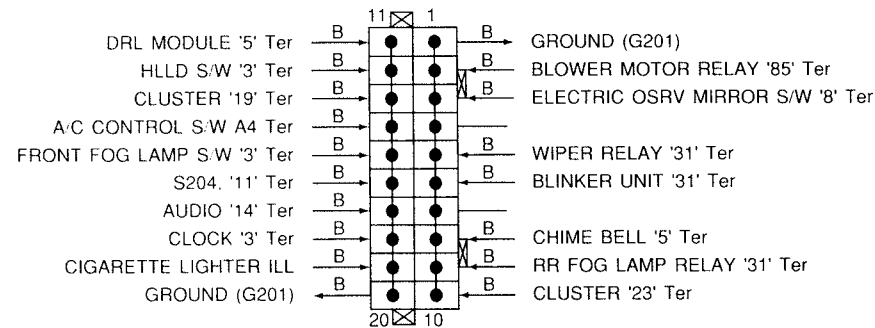


1. IGN2(F19) POWER SUPPLY
A/C COMP. RELAY '86" Ter
COOLING FAN CONTROL RELAY "86" Ter
2. COOLING FAN RELAY A : '86" Ter
B : '86" Ter
3. REAR WINDOW DEFROSTER RELAY : '86" Ter
POWER WINDOW RELAY : '86" Ter
4. BATTERY POWER SUPPLY(Ef4)
5. COOLING FAN RELAY A : '30" Ter
6. COOLING FAN RELAY B : '30" Ter
7. GROUND(G102)
DIODE (D9)
8. HEAD LAMP & ILL. RELAY '85" Ter
POWER WINDOW RELAY '85" Ter
9. FR/FOG LAMP RELAY '85" Ter

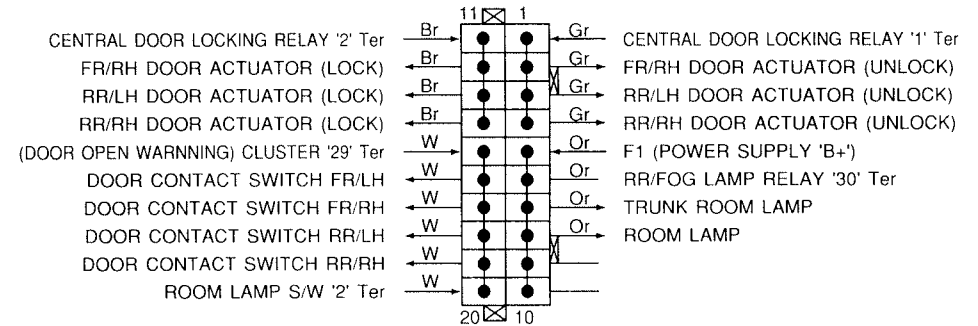
S301(ORANGE)



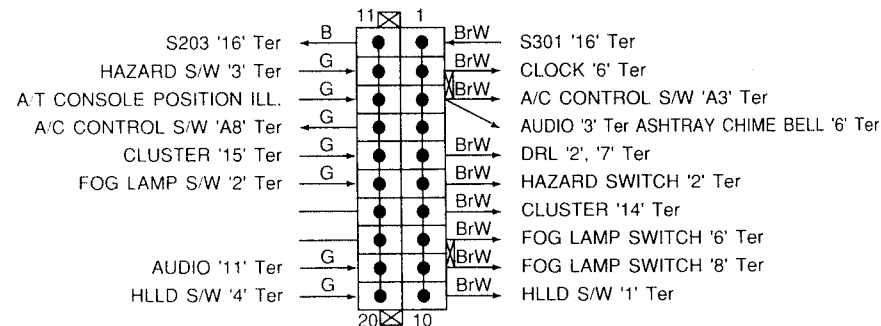
S203(RED)



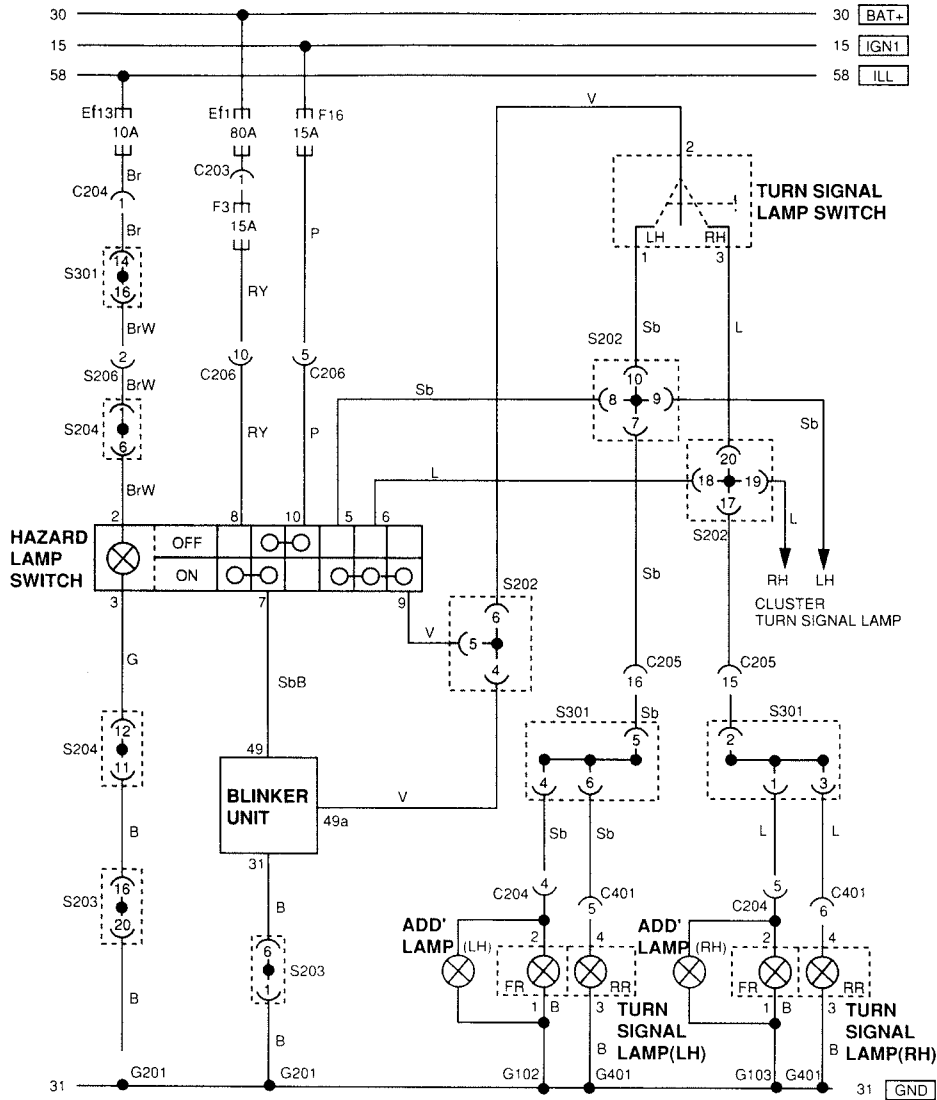
S302(BLUE)



S204(RED)



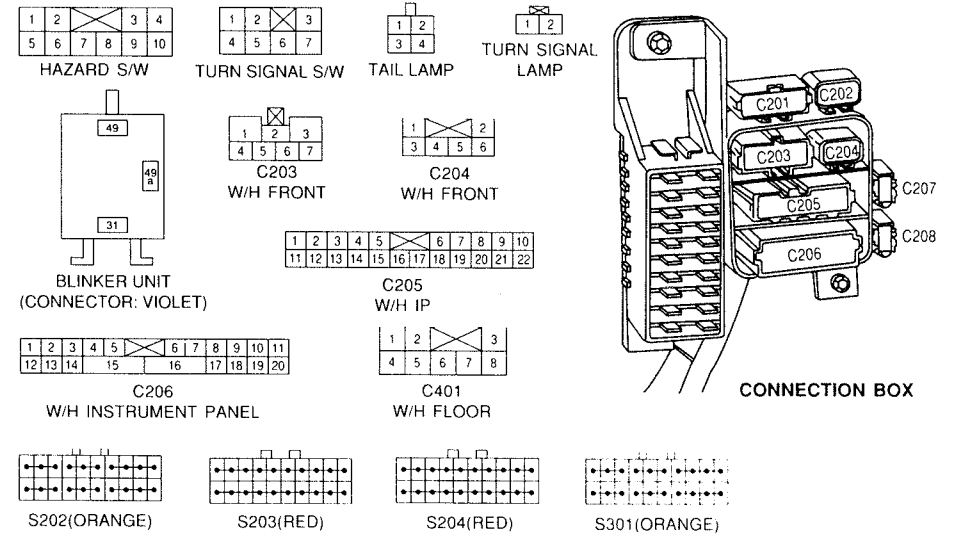
9. TURN SIGNAL LAMP. HAZARD LAMP CIRCUIT



a. CONNECTOR INFORMATION

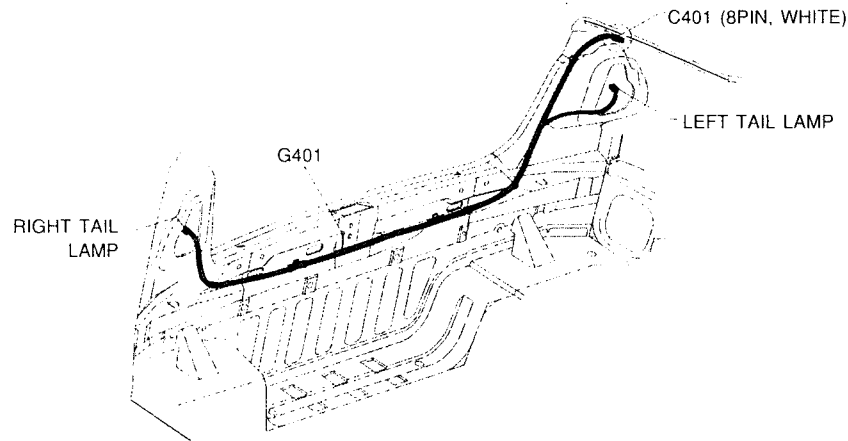
CONNECTOR(NO) (PIN NO. COLOR)	CONNECTING. WIRING HARNESS	CONNECTOR POSITION
C203 (7PIN. BROWN)	W/H Front - Floor	Connection Box Next to Passenger Room Fuse Box
C204 (6PIN. WHITE)	W/H Front - Floor	Connection Box Next to Passenger Room Fuse Box
C205 (22PIN. YELLOW)	W/H Floor - IP	Connection Box Next to Passenger Room Fuse Box
C206 (20PIN. COLORLESS)	W/H Floor - IP	Connection Box Next to Passenger Room Fuse Box
C401 (8PIN. WHITE)	W/H Floor - Trunk	Above Left Seat Belt Retractor In Trunk
S202 (20PIN. ORANGE)	Splice Pack	Next to Passenger Room Relay Box
S203 (20PIN. RED)	Splice Pack	Next to Passenger Room Relay Box
S204 (20PIN. RED)	Splice Pack	Above Glove Box
S301 (20PIN. ORNAGE)	Splice Pack	Below Driver Seat
G102	Ground	Fender Below Engine Room Fuse Box
G103	Ground	Fender Next to Air Cleaner Housing
G201	Ground	Below Right Front Console Box
G401	Ground	Center of Rear End Panel in Trunk

b. CONNECTOR IDENTIFICATION SYMBOL & PIN NUMBER POSITION



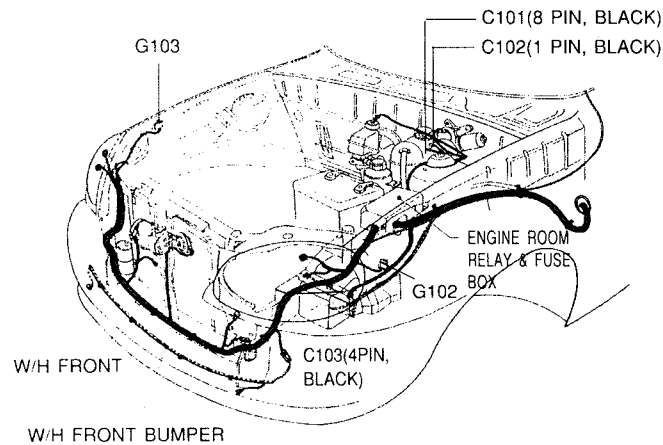
c. POSITION OF CONNECTORS AND GROUNDS

W/H TRUNK



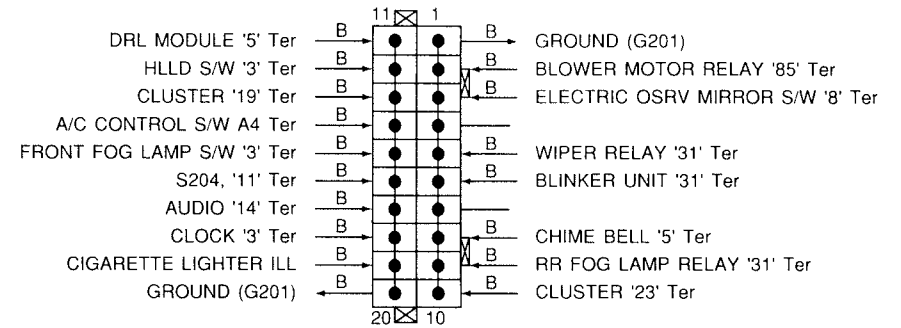
W/H FRONT

W/H FRONT BUMPER

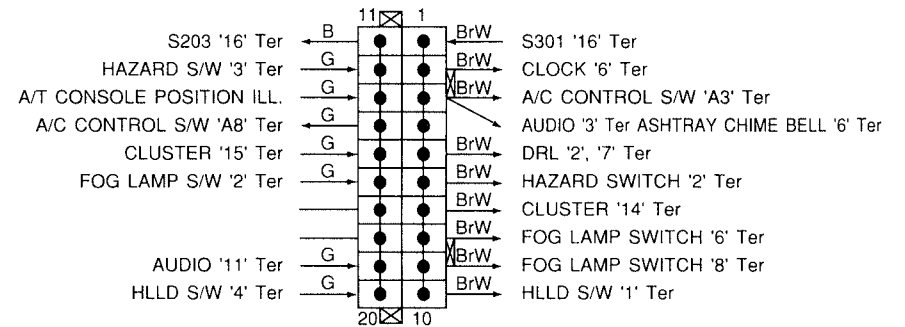


d. SPLICE PACK

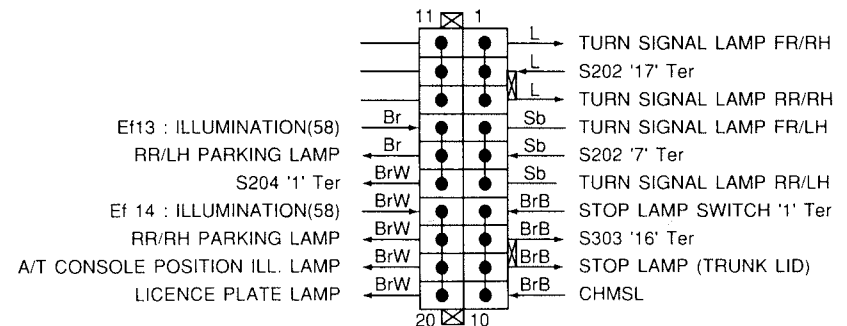
S203(RED)



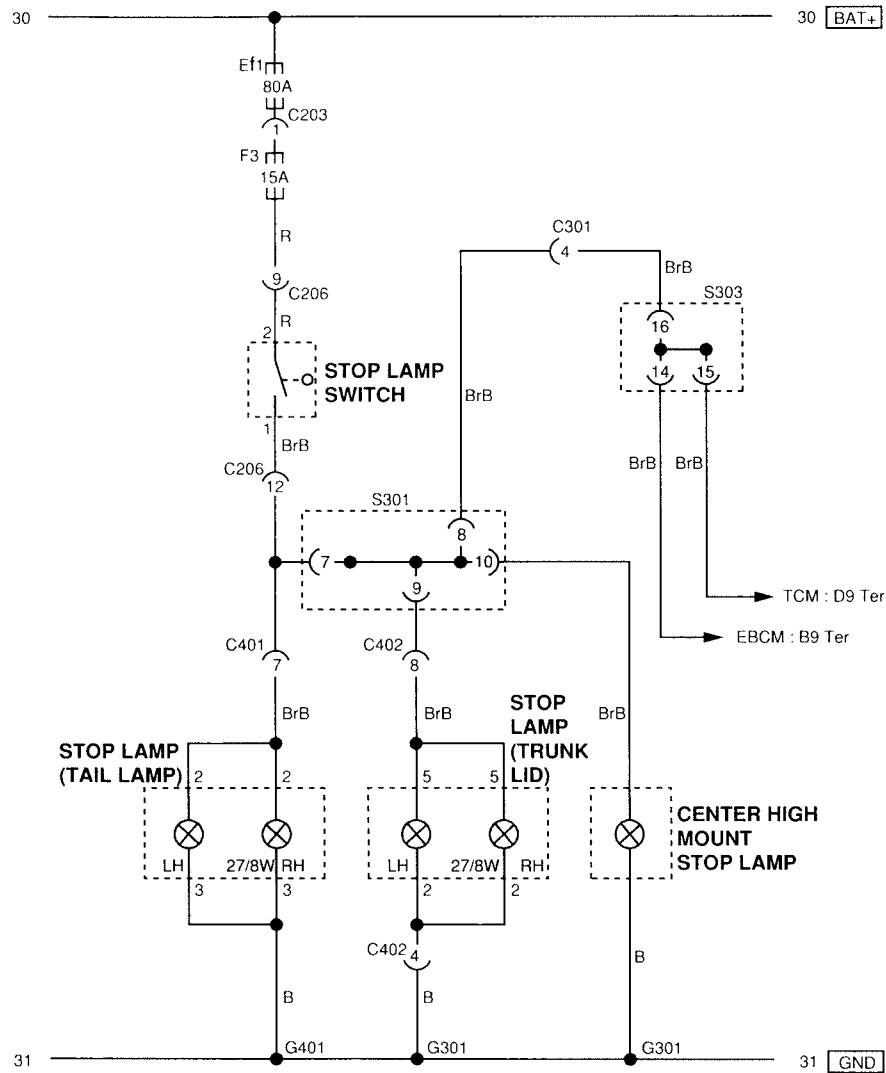
S204(RED)



S301(ORANGE)



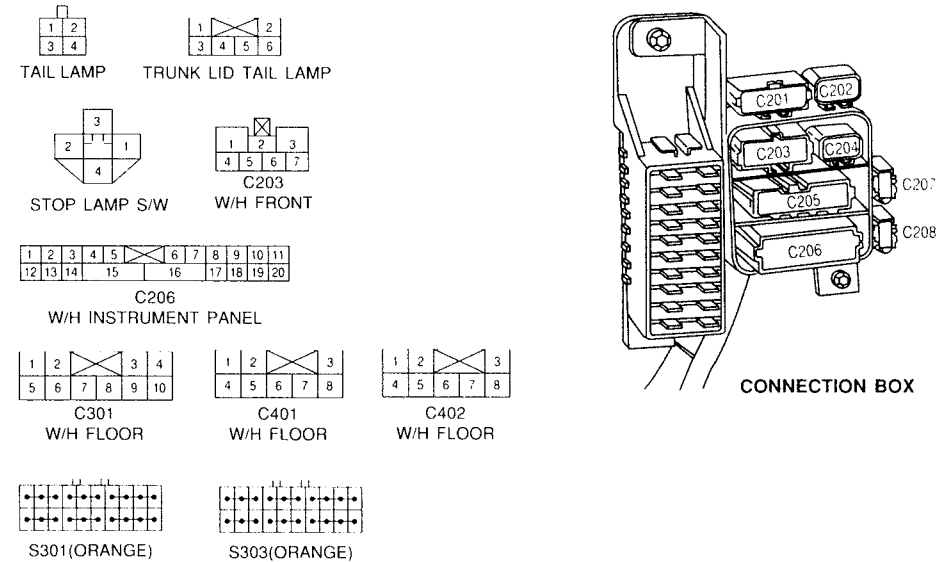
10. STOP LAMP CIRCUIT (NB)




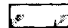
a. CONNECTOR INFORMATION

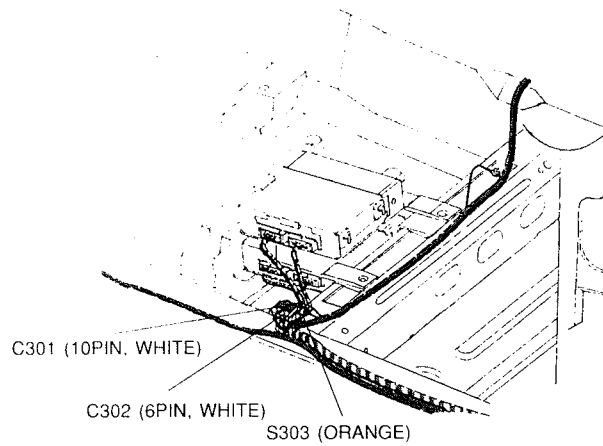
CONNECTOR(NO) (PIN NO. COLOR)	CONNECTING. WIRING HARNESS	CONNECTOR POSITION
C203 (7PIN. BROWN)	W/H Front - Floor	Connection Box Next to Passenger Room Fuse Box
C206 (20PIN. COLORLESS)	W/H Front - IP	Connection Box Next to Passenger Room Fuse Box
C301 (10PIN. WHITE)	W/H ECM & ABS - Floor	Below Co-Driver Seat
C401 (8PIN. WHITE)	W/H Floor - Trunk	Above Left Seat Belt Retractor In Trunk
C402 (8PIN. WHITE)	W/H Floor - Trunk Lid	Above Left Tail Lamp In Trunk
S301 (20PIN. ORANGE)	Splice Pack	Below Driver Seat
S303 (20PIN. GRAY)	Splice Pack	Below Co-Driver Seat
G301	Ground	Below Driver Seat
G401	Ground	Center Of Rear End Panel In Trunk


b. CONNECTOR IDENTIFICATION SYMBOL & PIN NUMBER POSITION

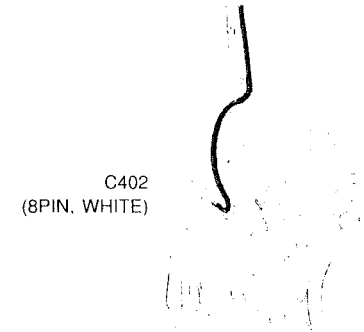


c. POSITION OF CONNECTORS AND GROUNDS

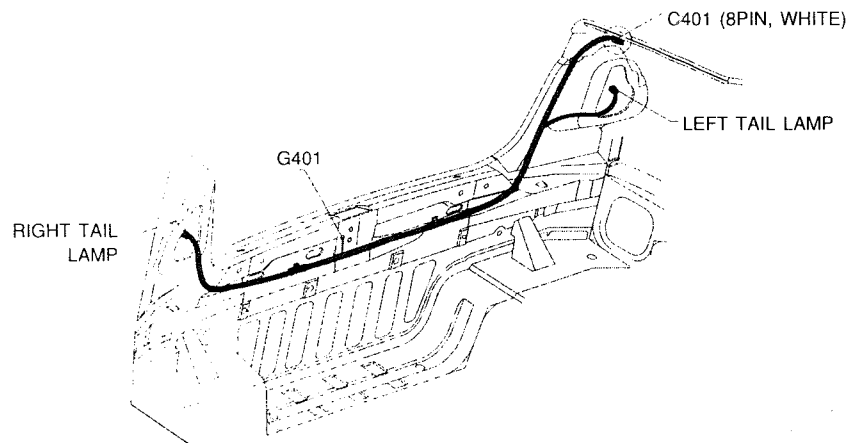
-  W/H FLOOR
-  W/H ECM & ABS
- FLOOR PANEL



-  W/H TRUNK LID
- TRUNK INSIDE LEFT

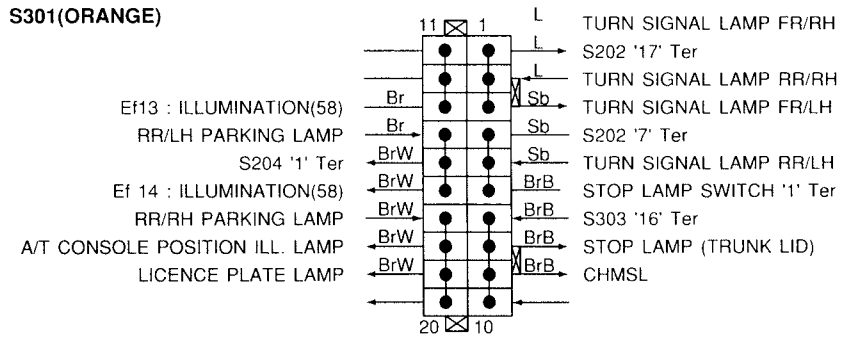


-  W/H TRUNK

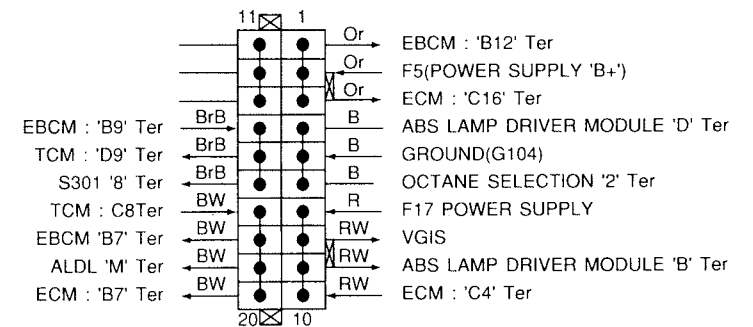


d. SPLICE PACK

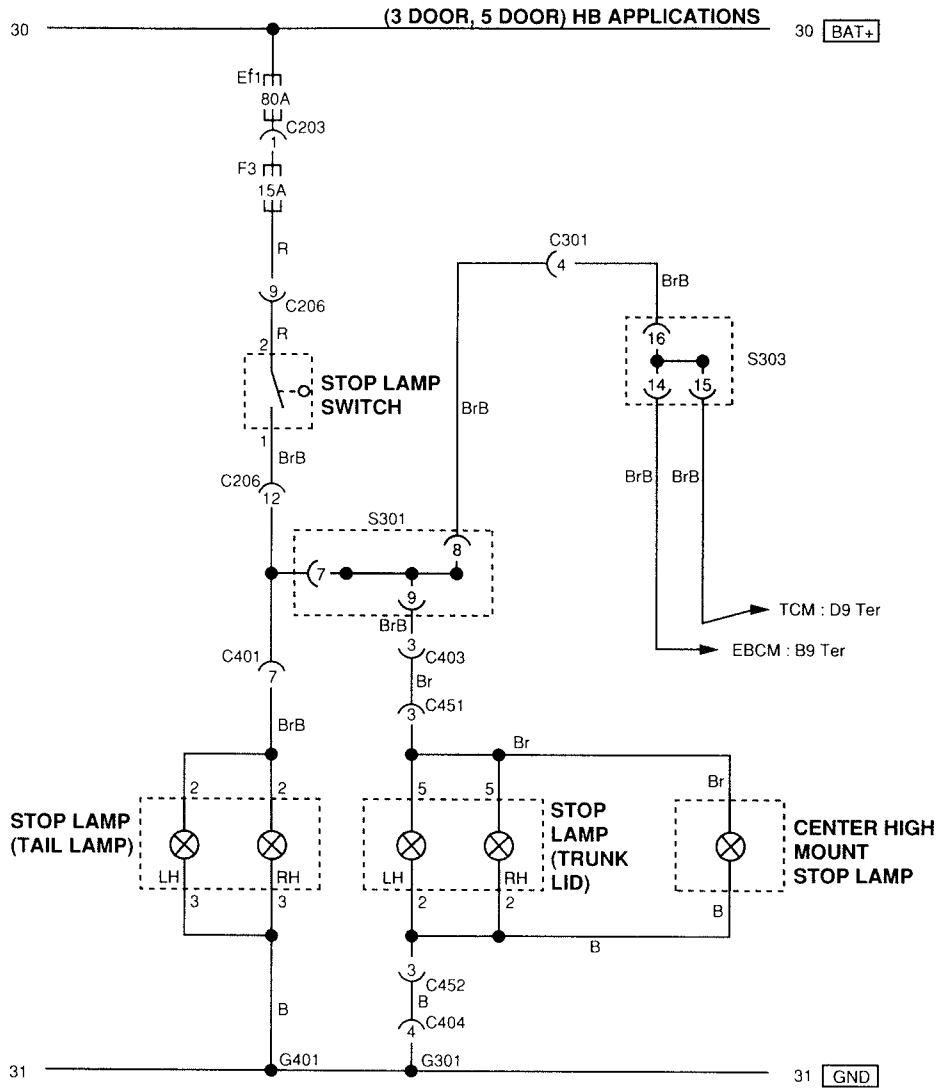
S301(ORANGE)



S303(GRAY)



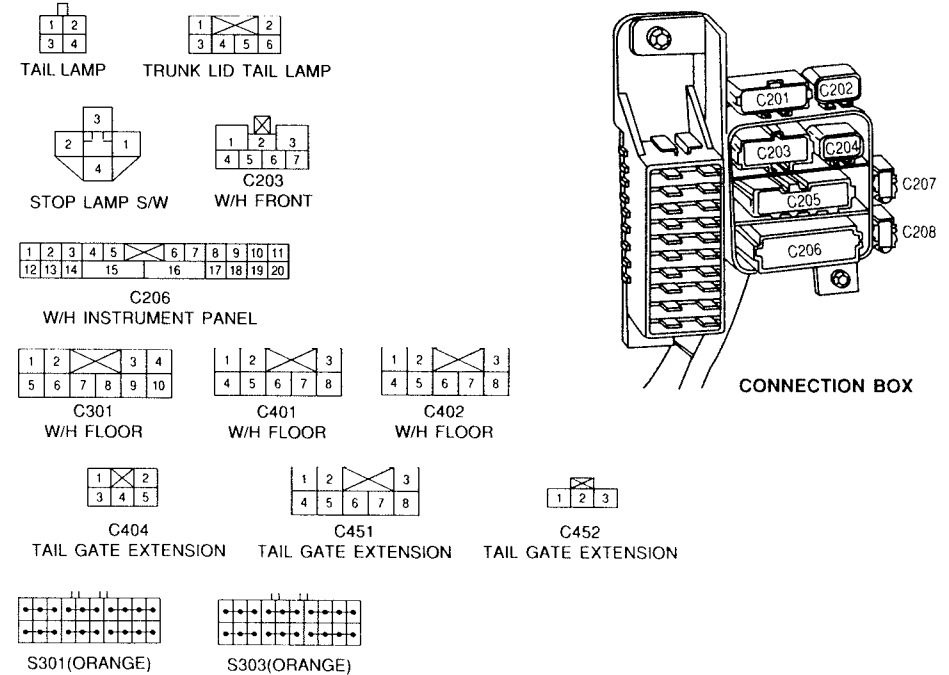
10-1. STOP LAMP CIRCUIT (HB)



a. CONNECTOR INFORMATION

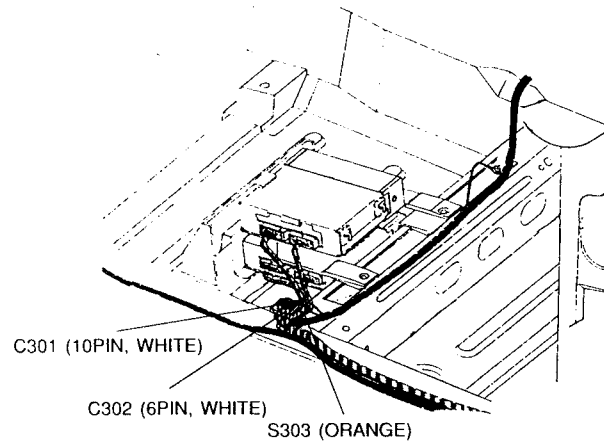
CONNECTOR(NO) (PIN NO. COLOR)	CONNECTING. WIRING HARNESS	CONNECTOR POSITION
C203 (7PIN. BROWN)	W/H Front - Floor	Connection Box Next to Passenger Room Fuse Box
C206 (20PIN. COLORLESS)	W/H Front - IP	Connection Box Next to Passenger Room Fuse Box
C301 (10PIN. WHITE)	W/H ECM & ABS - Floor	Below Co-Driver Seat
C401 (8PIN. WHITE)	W/H Floor - Trunk	Above Left Seat Belt Retractor In Trunk
C403 (8PIN. WHITE)	W/H Floor - Tail Gate Extension	Inside Trunk
C404 (5PIN. WHITE)	W/H Floor- Tail Gate Extension	Inside Trunk
C451 (8PIN. WHITE)	W/H Tail Gate Extension - Tail Gate	Inside Tail Gate
C452 (3PIN. WHITE)	W/H Tail Gate Extension - Tail Gate	Inside Tail Gate
S301 (20PIN. ORANGE)	Splice Pack	Below Driver Seat
S303 (20PIN. GRAY)	Splice Pack	Below Co-Driver Seat
G301	Ground	Below Driver Seat
G401	Ground	Center Of Rear End Panel In Trunk

b. CONNECTOR IDENTIFICATION SYMBOL & PIN NUMBER POSITION

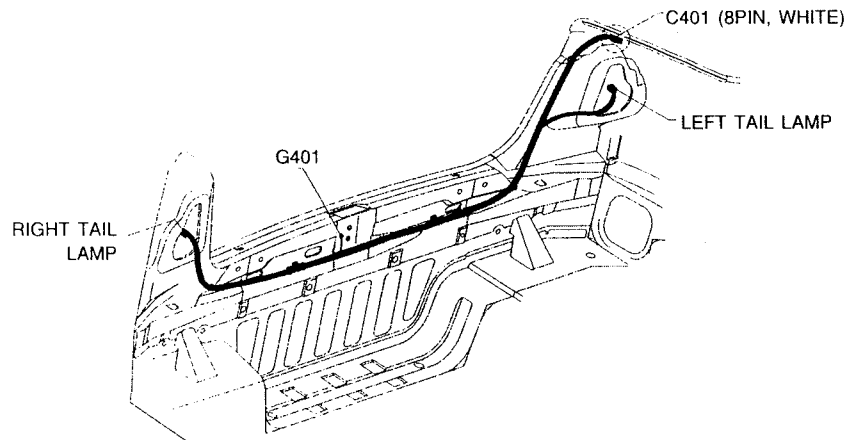


C. POSITION OF CONNECTORS AND GROUNDS

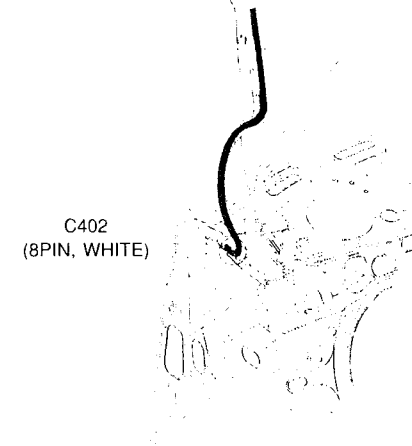
- W/H FLOOR
- ▢ W/H ECM & ABS
- FLOOR PANEL



- W/H TRUNK

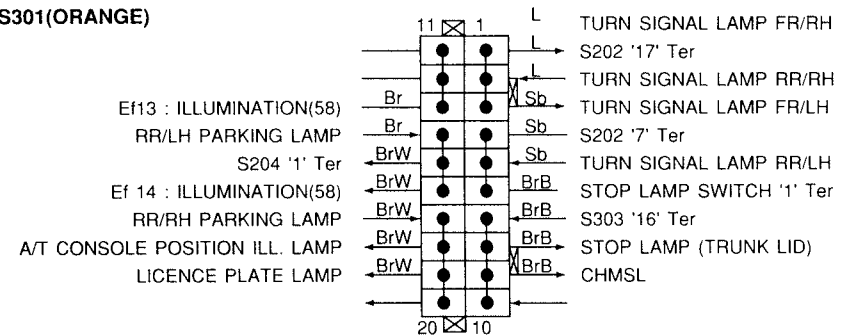


- W/H TRUNK LID
- TRUNK INSIDE LEFT

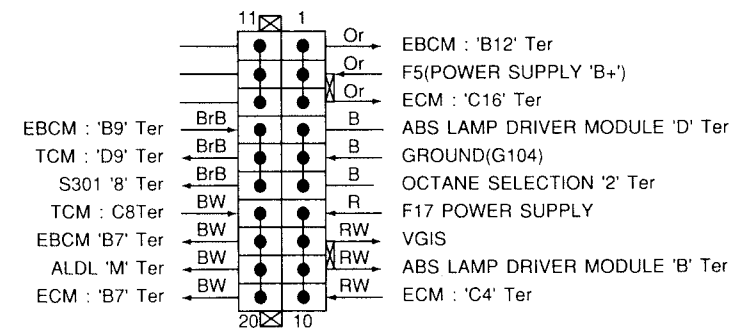


d. SPLICE PACK

S301(ORANGE)

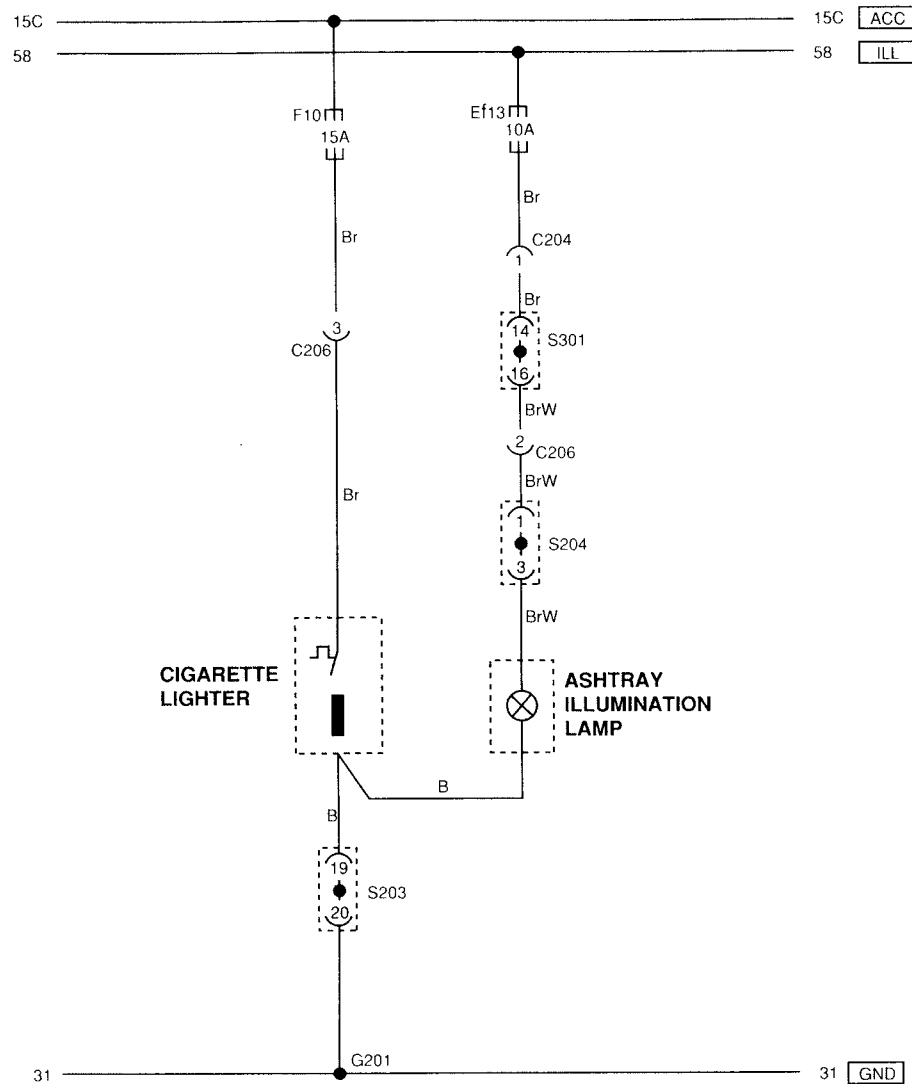


S303(GRAY)



11. CIGARETTE LIGHTER

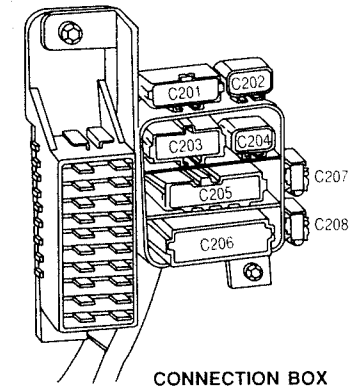
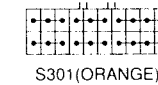
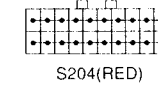
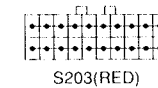
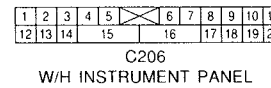
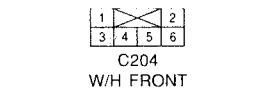
1) CIGARETTE LIGHTER. ASHTRAY ILLUMINATION LAMP. CIRCUIT



a. CONNECTOR INFORMATION

CONNECTOR(NO) (PIN NO. COLOR)	CONNECTING. WIRING HARNESS	CONNECTOR POSITION
C204 (6PIN. WHITE)	W/H Front - Floor	Connection Box Next to Passenger Room Fuse Box
C206 (20PIN. COLORLESS)	W/H Floor - IP	Connection Box Next to Passenger Room Fuse Box
S203 (20PIN. RED)	Splice Pack	Next to Passenger Room Relay Box
S204 (20PIN. RED)	Splice Pack	Above Glove Box
S301 (20PIN. ORANGE)	Splice Pack	Below Driver Seat
G201	Ground	Below Right Front Console Box

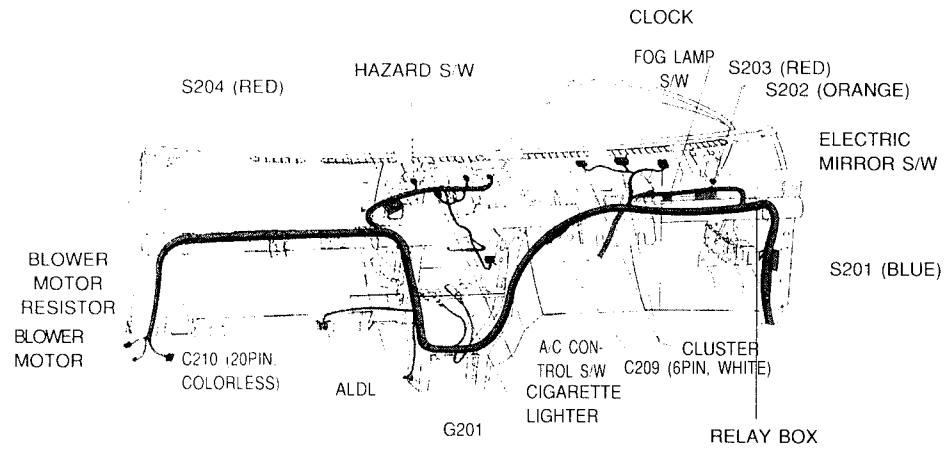
b. CONNECTOR IDENTIFICATION SYMBOL & PIN NUMBER POSITION



c. POSITION OF CONNECTORS AND GROUNDS

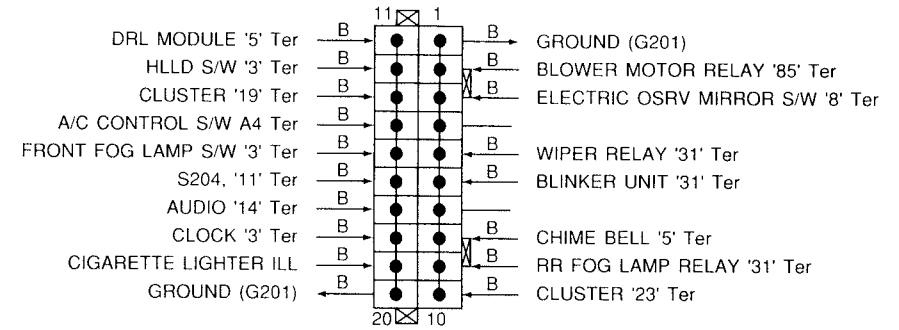
W/H IP

• INSTRUMENT PANEL INSIDE

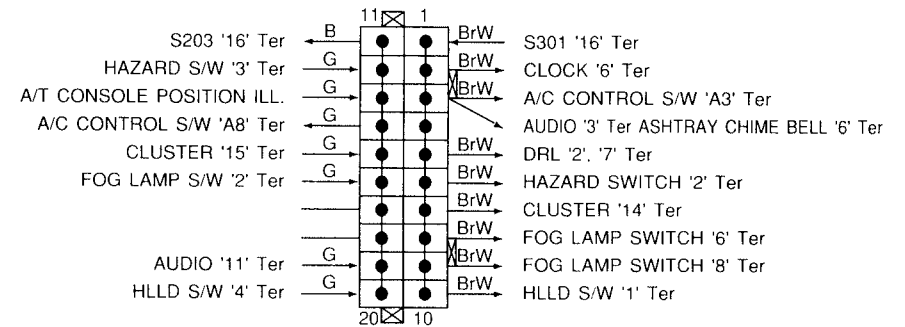


d. SPLICE PACK

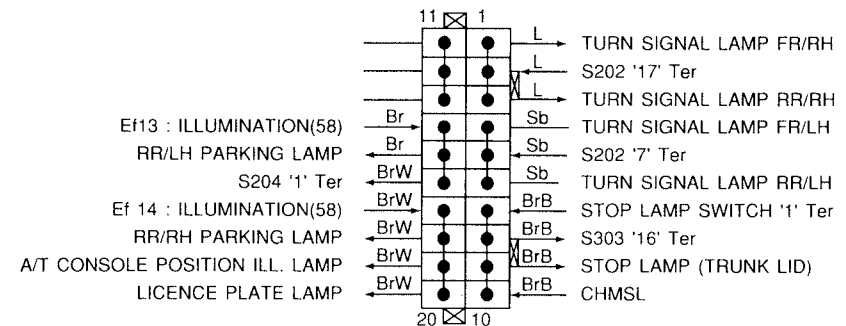
S203(RED)



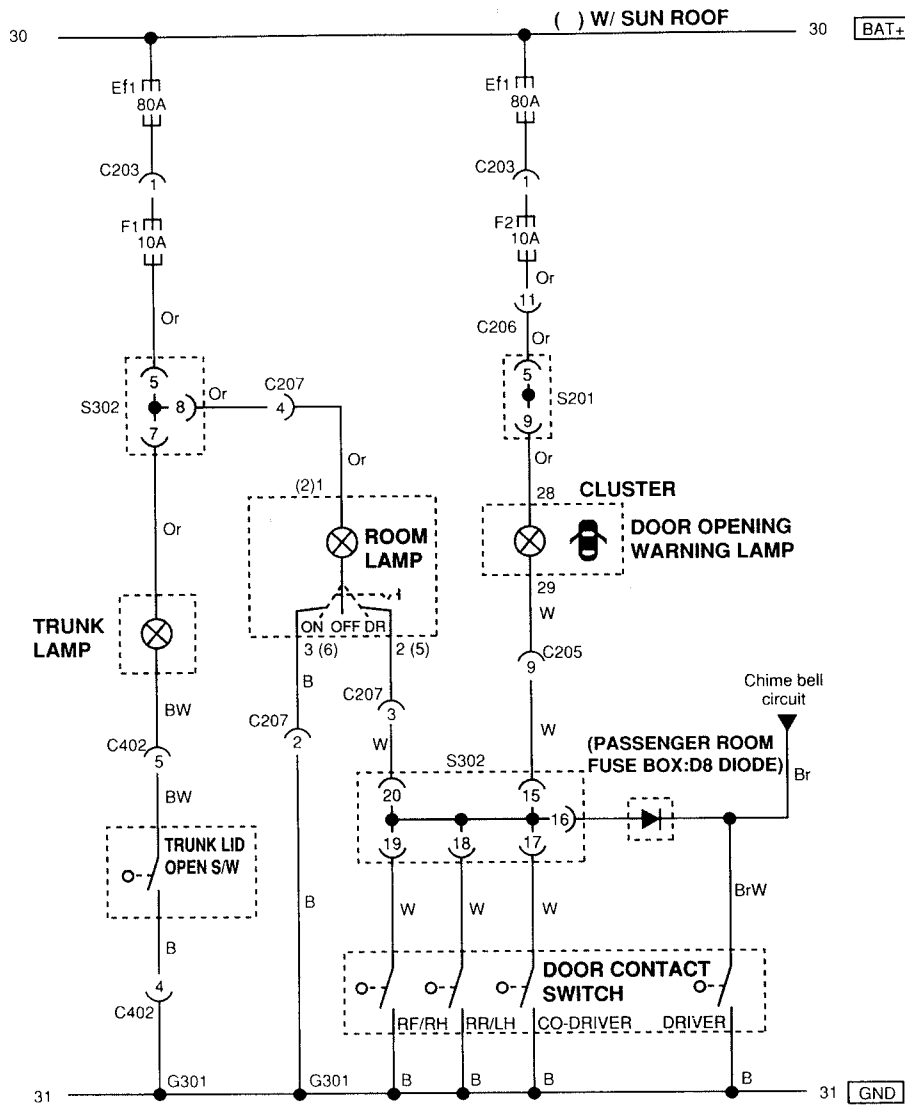
S204(RED)



S301(ORANGE)



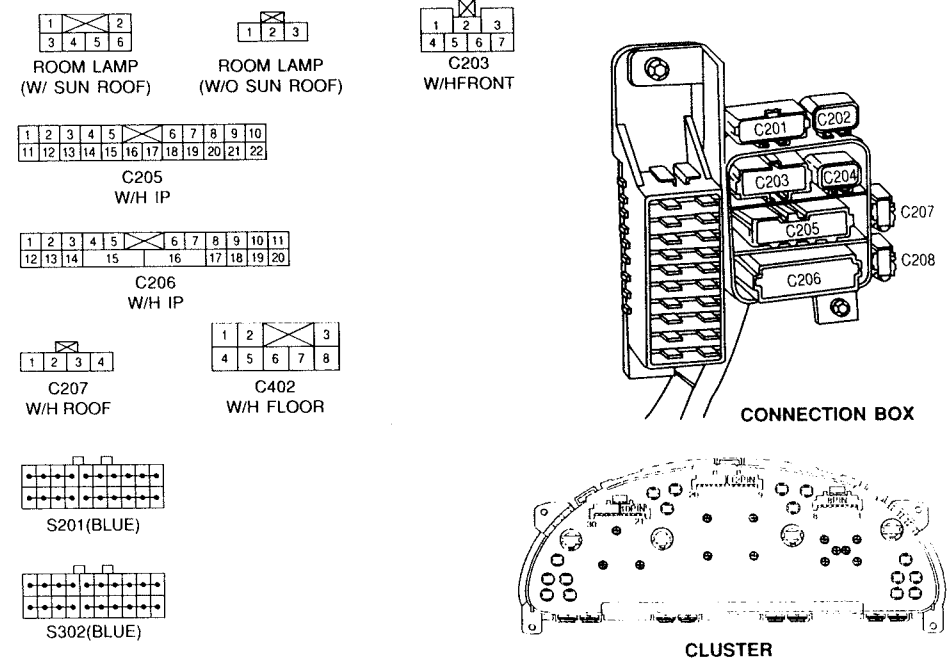
12. TRUNK LAMP. ROOM LAMP. DOOR OPENING WARNING LAMP. CIRCUIT(NB)



a. CONNECTOR INFORMATION

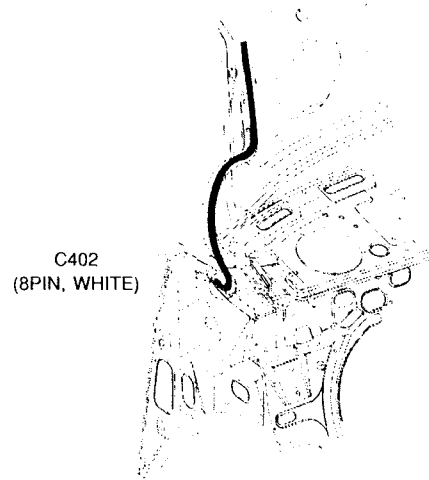
CONNECTOR(NO) (PIN NO. COLOR)	CONNECTING. WIRING HARNESS	CONNECTOR POSITION
C203 (7PIN. BROWN)	W/H Front - Floor	Connection Box Next to Passenger Room Fuse Box
C205 (22PIN. YELLOW)	W/H Floor - IP	Connection Box Next to Passenger Room Fuse Box
C206 (20PIN. COLORLESS)	W/H Floor - IP	Connection Box Next to Passenger Room Fuse Box
C207 (4PIN. WHITE)	W/H Floor - Roof	Connection Box Next to Passenger Room Fuse Box
C402 (8PIN. WHITE)	W/H Floor - Trunk Lid	Above Left Tail Lamp In Trunk
S201 (20PIN. BLUE)	Splice Pack	Next to Passenger Room Relay Box
S302 (20PIN. BLUE)	Splice Pack	Below Driver Seat
G301	Ground	Below Driver Seat

b. CONNECTOR IDENTIFICATION SYMBOL & PIN NUMBER POSITION

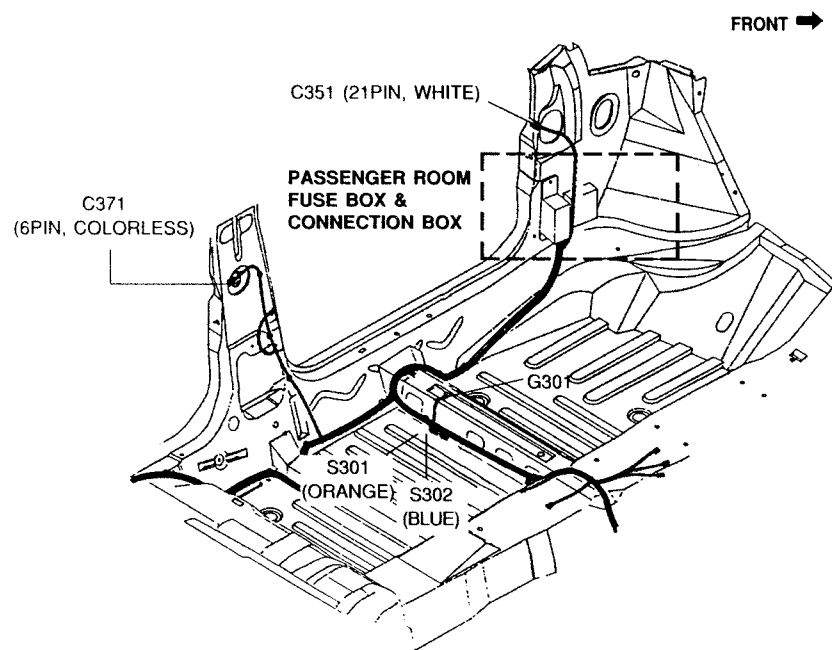


c. POSITION OF CONNECTORS AND GROUNDS

- W/H TRUNK LID
- TRUNK INSIDE LEFT

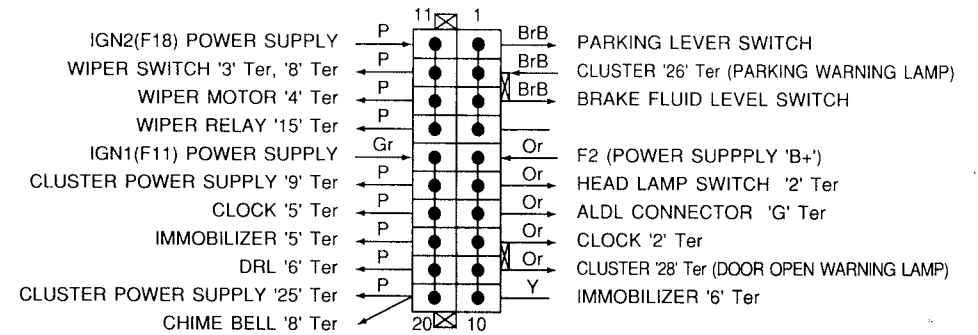


- W/H FLOOR
- FLOOR PANEL LEFT

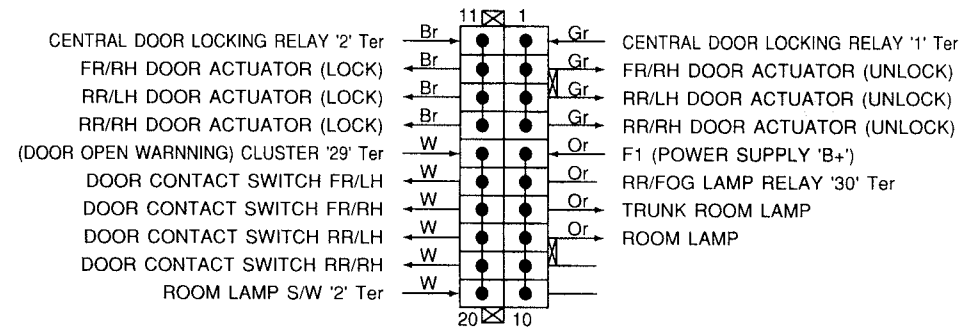


d. SPLICE PACK

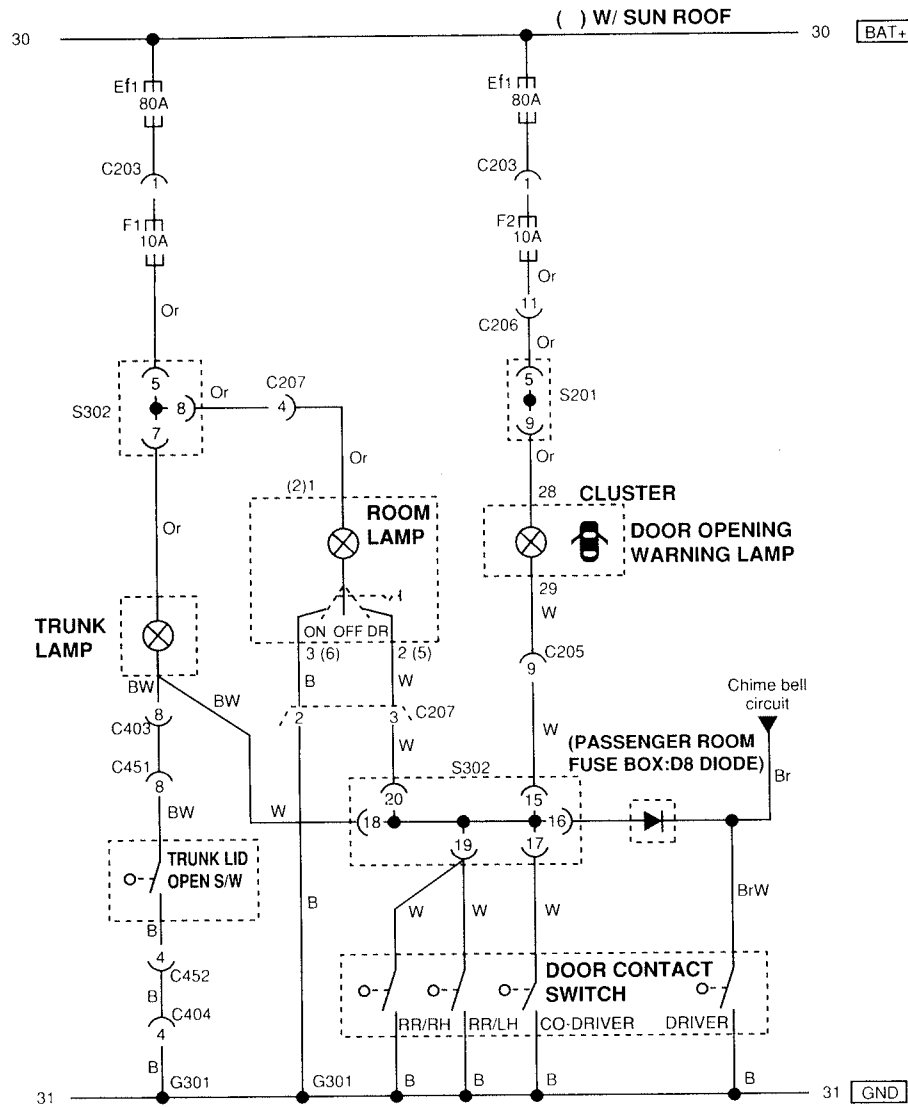
S201(BLUE)



S302(BLUE)



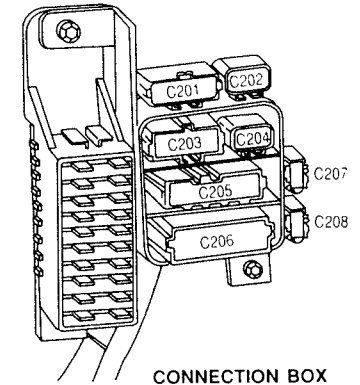
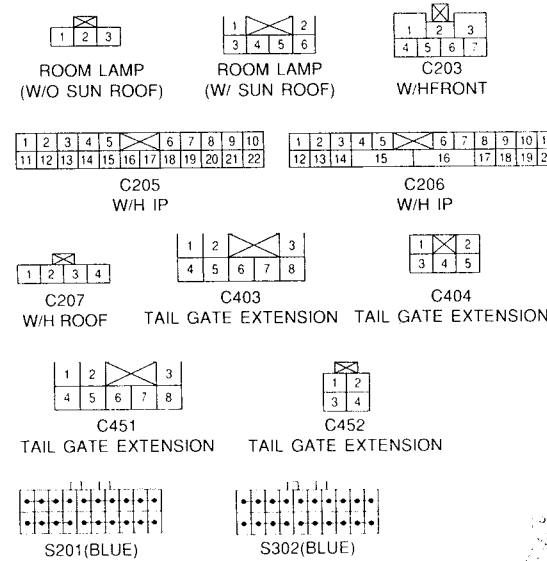
12-1. TRUNK LAMP. ROOM LAMP. DOOR OPENING WARNING LAMP. CIRCUIT (3DOOR ,5DOOR) HB APPLICATION



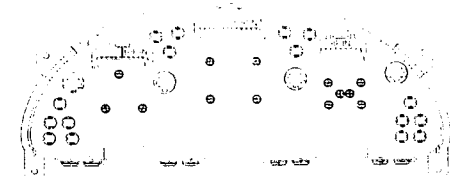
a. CONNECTOR INFORMATION

CONNECTOR(NO) (PIN NO. COLOR)	CONNECTING. WIRING HARNESS	CONNECTOR POSITION
C203 (7PIN. BROWN)	W/H Front - Floor	Connection Box Next to Passenger Room Fuse Box
C205 (22PIN. YELLOW)	W/H Floor - IP	Connection Box Next to Passenger Room Fuse Box
C206 (20PIN. COLORLESS)	W/H Floor - IP	Connection Box Next to Passenger Room Fuse Box
C207 (4PIN. WHITE)	W/H Floor - Roof	Connection Box Next to Passenger Room Fuse Box
C403 (8PIN. WHITE)	W/H Floor - Tail Gate Extension	Inside Trunk
C404 (5PIN WHITE)	W/H Floor - Tail Gate Extension	Inside Trunk
C451 (8PIN WHITE)	W/H Tail Gate Extension - Tail Gate	Inside Tail Gate
C452 (3PIN WHITE)	W/H Tail Gate Extension - Tail Gate	Inside Tail Gate
S201 (20PIN. BLUE)	Splice Pack	Next to Passenger Room Relay Box
S302 (20PIN. BLUE)	Splice Pack	Below Driver Seat
G301	Ground	Below Driver Seat

b. CONNECTOR IDENTIFICATION SYMBOL & PIN NUMBER POSITION



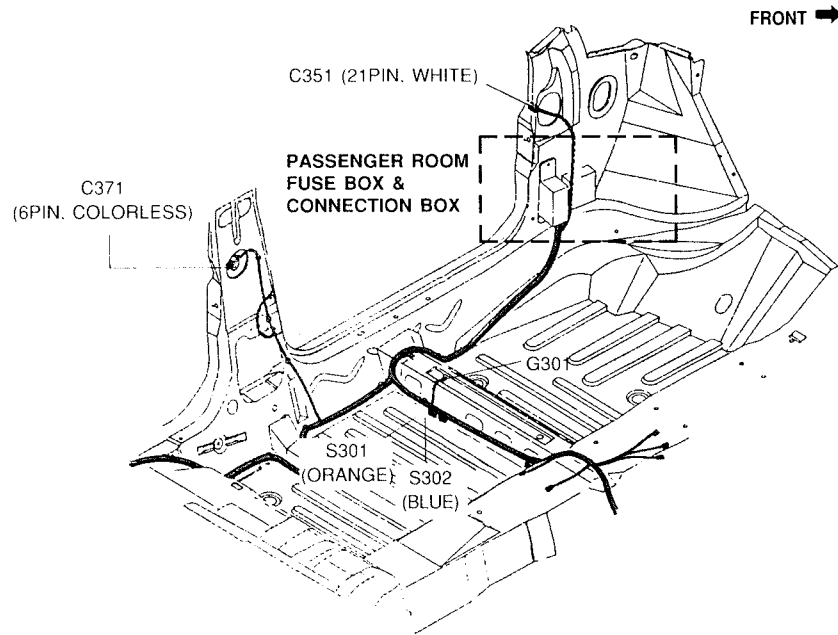
CONNECTION BOX



CLUSTER

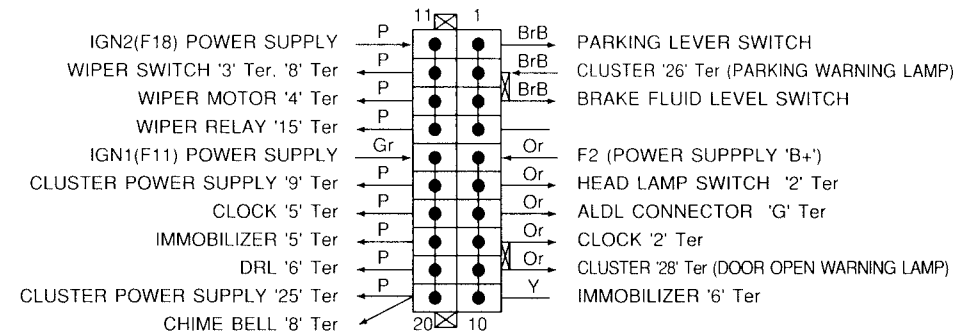
c. POSITION OF CONNECTORS AND GROUNDS

- W/H FLOOR
- FLOOR PANEL LEFT

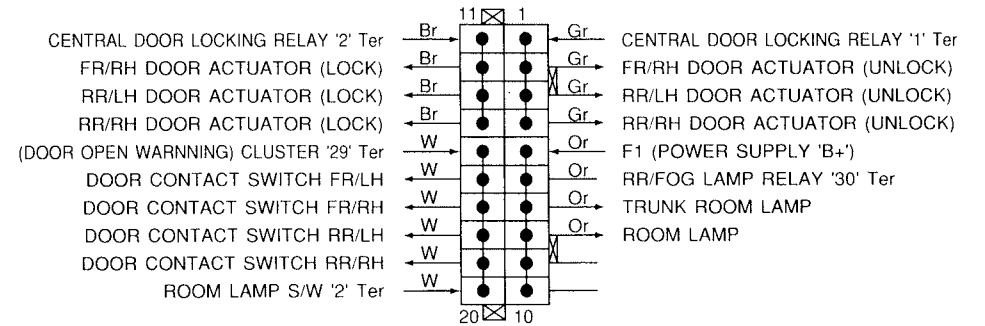


d. SPLICE PACK

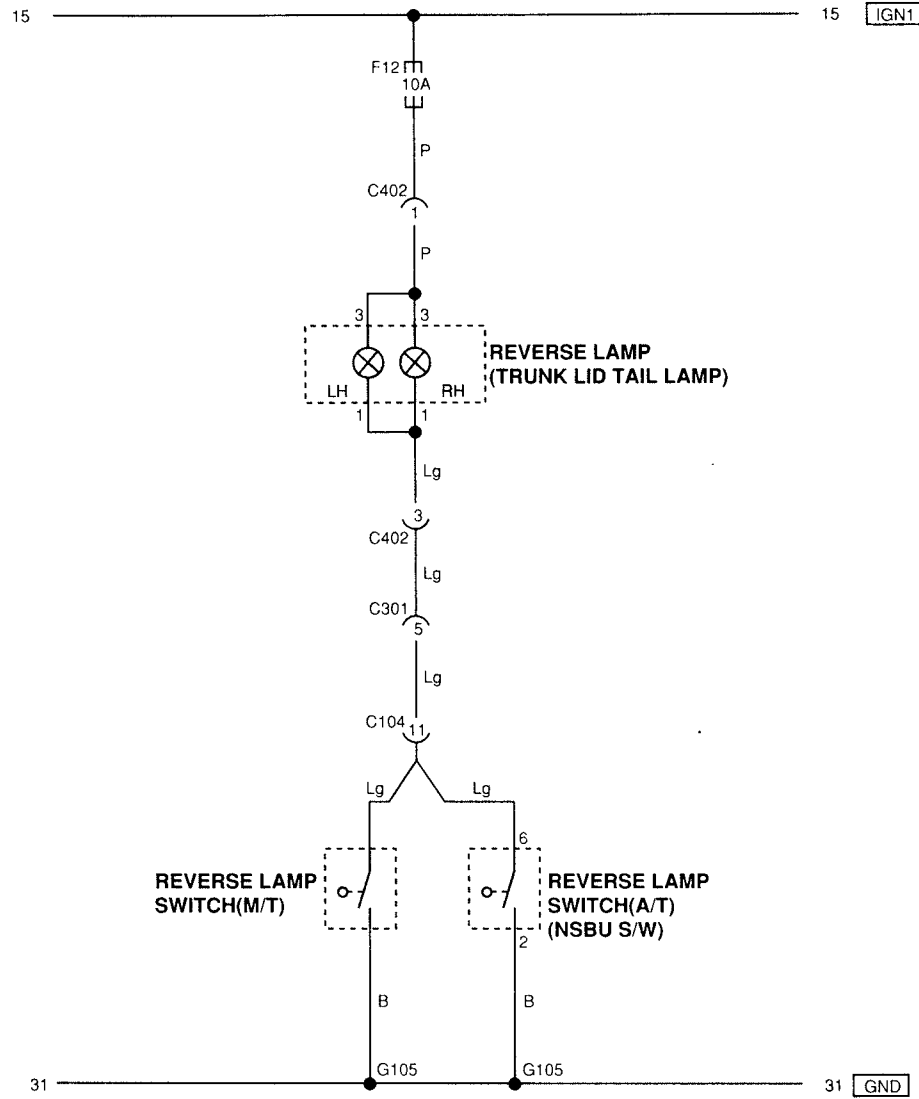
S201(BLUE)



S302(BLUE)



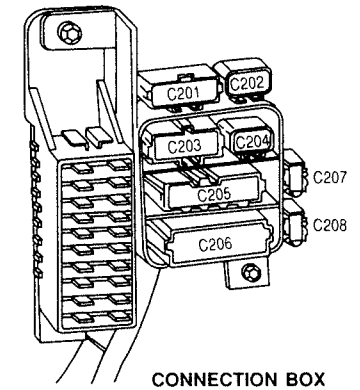
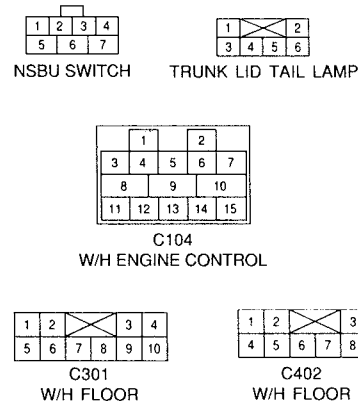
13. REVERSE LAMP CIRCUIT (NB)



a. CONNECTOR INFORMATION

CONNECTOR(No) (PIN NO. COLOR)	CONNECTING. WIRING HARNESS	CONNECTOR POSITION
C104 (15PIN. BLACK)	W/H ECM & ABS - Engine Control	Behind Right Strut Mounting
C301 (10PIN. WHITE)	W/H ECM & ABS - Floor	Below Co-Driver Seat
C402 (8PIN. WHITE)	W/H Floor - Trunk Lid	Above Left Tail Lamp In Trunk
G105	Ground	Above Flywheel Housing

b. CONNECTOR IDENTIFICATION SYMBOL & PIN NUMBER POSITION

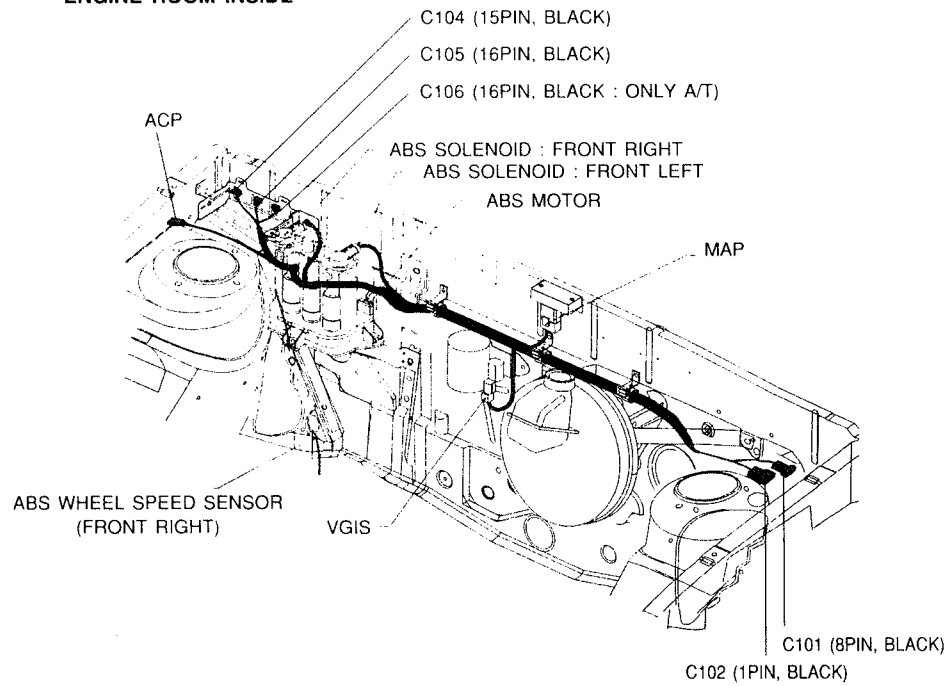


CONNECTION BOX

c. POSITION OF CONNECTORS AND GROUNDS

■ W/H ECM & ABS

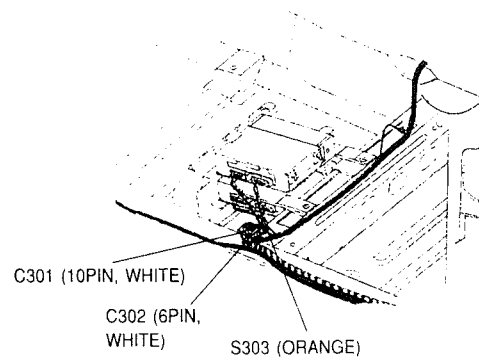
• ENGINE ROOM INSIDE



■ W/H FLOOR

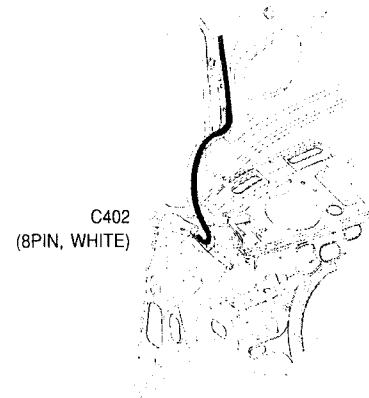
▨ W/H ECM & ABS

• FLOOR PANEL

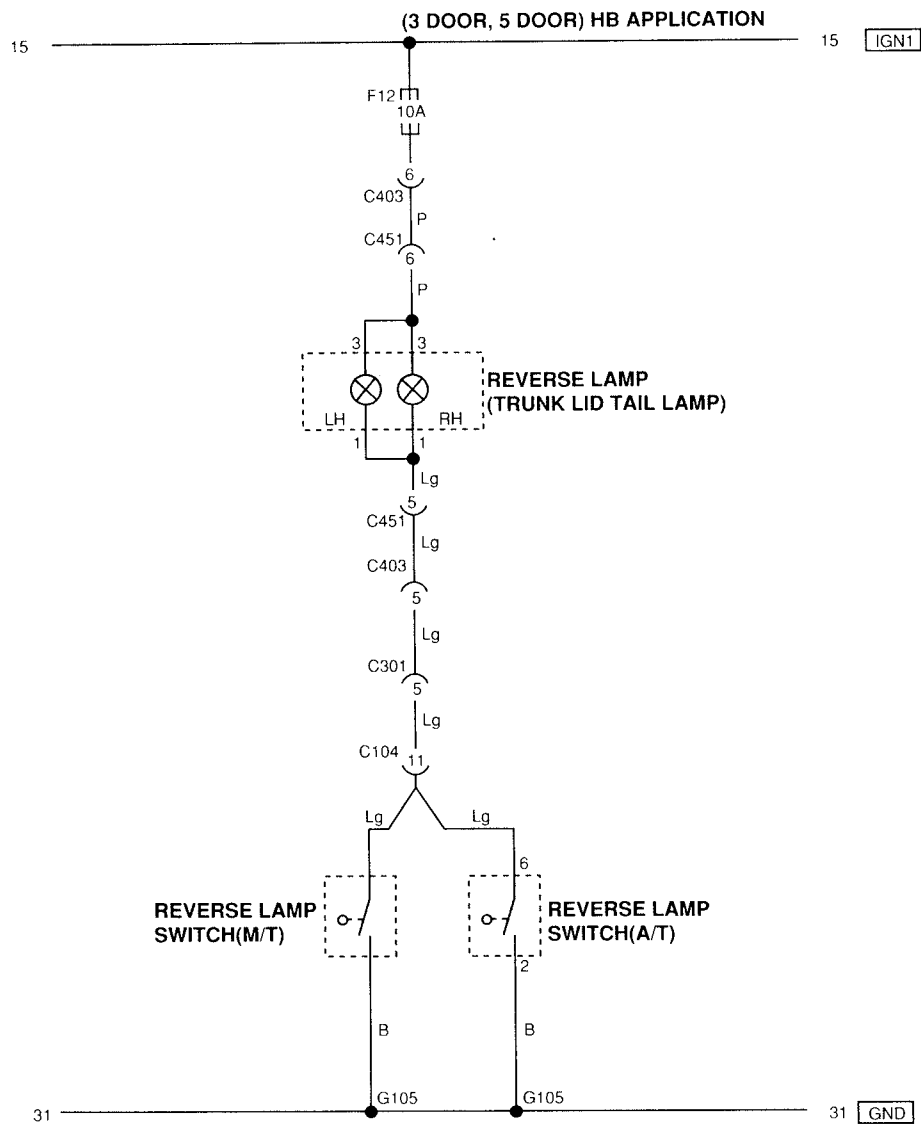


■ W/H TRUNK LID

• TRUNK INSIDE LEFT



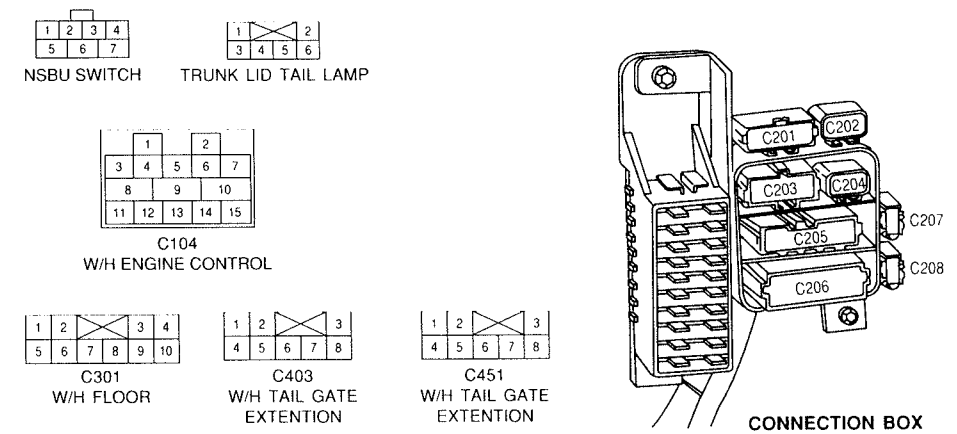
13-1. REVERSE LAMP CIRCUIT (HB)



a. CONNECTOR INFORMATION

CONNECTOR(NO) (PIN NO. COLOR)	CONNECTING. WIRING HARNESS	CONNECTOR POSITION
C104 (15PIN. BLACK)	W/H ECM & ABS - Engine Control	Behind Right Strut Mounting
C301 (10PIN. WHITE)	W/H ECM & ABS - Floor	Below Co-Driver Seat
C403 (8PIN. WHITE)	W/H Floor - Tail Gate Extension	Inside Trunk
C451 (8PIN. WHITE)	W/H Tail Gate Floor Extension - Tail	Inside Tail Gate
G105	Splice Pack	Above Flywheel Housing

b. CONNECTOR IDENTIFICATION SYMBOL & PIN NUMBER POSITION



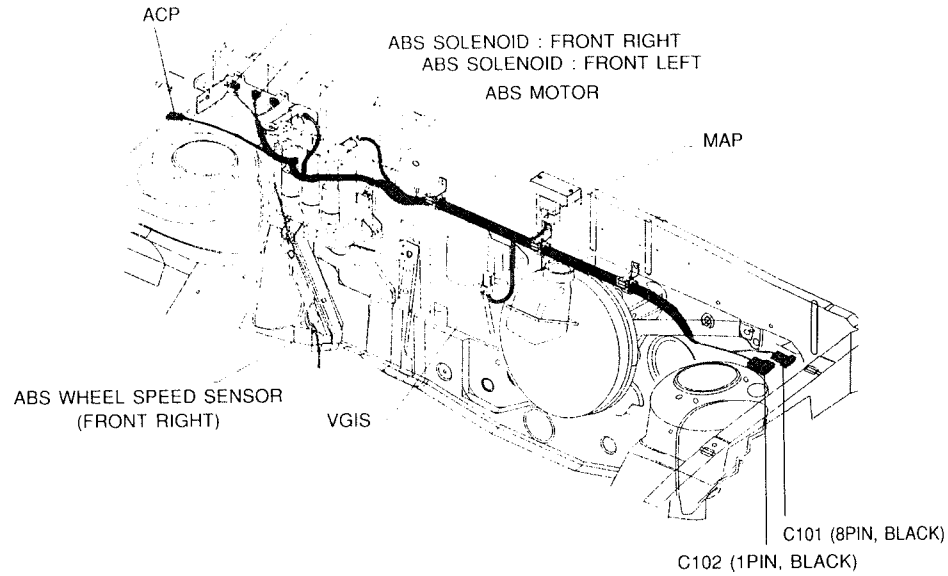
c. POSITION OF CONNECTORS AND GROUNDS

■ W/H ECM & ABS

• ENGINE ROOM INSIDE

- C104 (15PIN, BLACK)
- C105 (16PIN, BLACK)
- C106 (16PIN, BLACK : ONLY A/T)

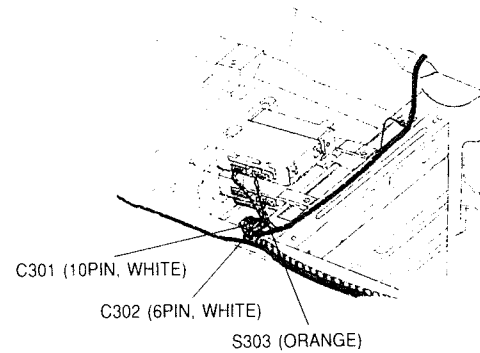
ABS SOLENOID : FRONT RIGHT
 ABS SOLENOID : FRONT LEFT
 ABS MOTOR



■ W/H FLOOR

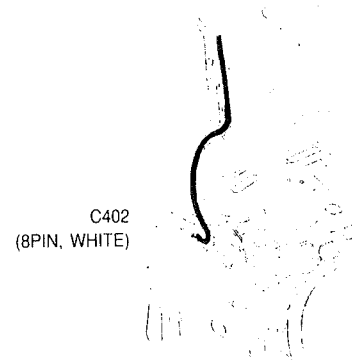
▨ W/H ECM & ABS

• FLOOR PANEL

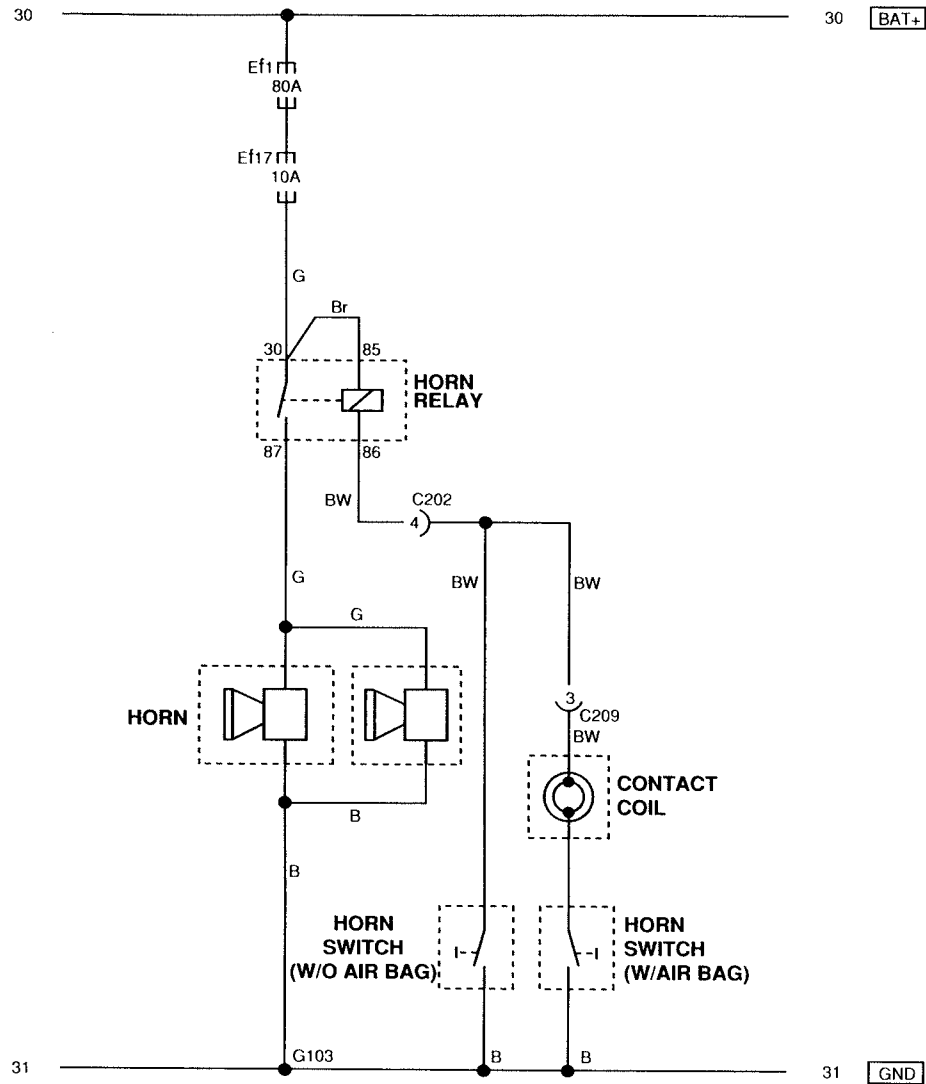


■ W/H TRUNK LID

• TRUNK INSIDE LEFT



14. HORN CIRCUIT



a. CONNECTOR INFORMATION

CONNECTOR(NO) (PIN NO. COLOR)	CONNECTING. WIRING HARNESS	CONNECTOR POSITION
C202 (18PIN. WHITE)	W/H Front - IP	Connection Box Next to Passenger Room Fuse Box
C209 (6PIN. WHITE)	W/H Air Bag - IP	Behind Left Front Console
G103	Ground	Fender Next to Air Cleaner Housing

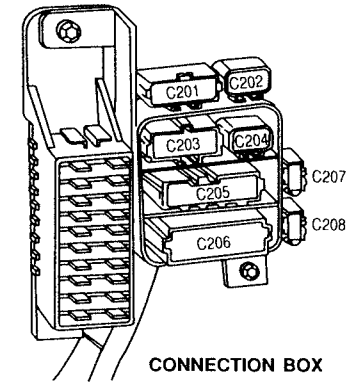
b. CONNECTOR IDENTIFICATION SYMBOL & PIN NUMBER POSITION

1	2	3	4	5	6	7	8		
9	10	11	12	13	14	15	16	17	18

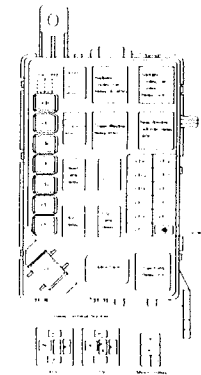
C202
W/H IP

1	2		
3	4	5	6

C209
W/H AIR-BAG



CONNECTION BOX

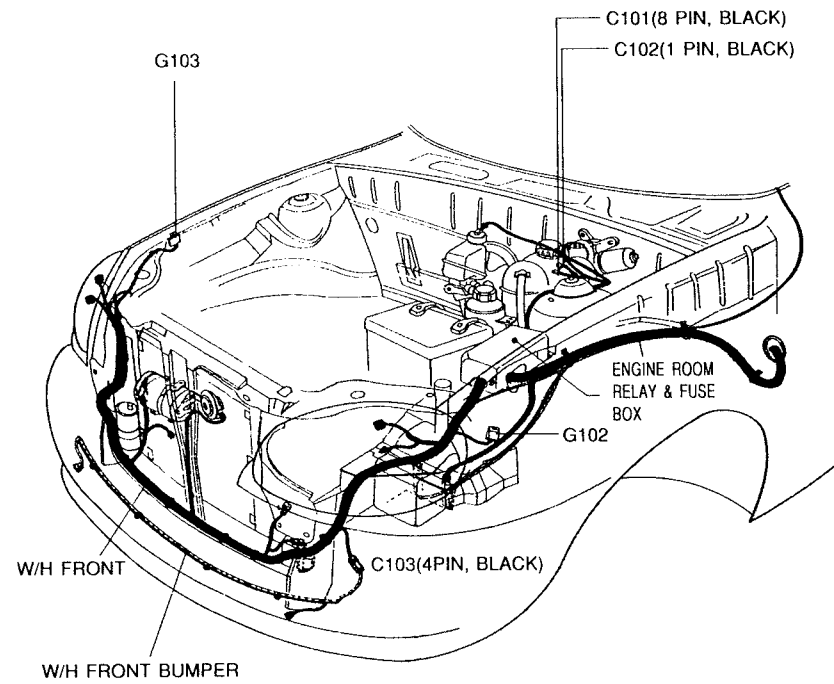


ENGINE ROOM FUSE BOX

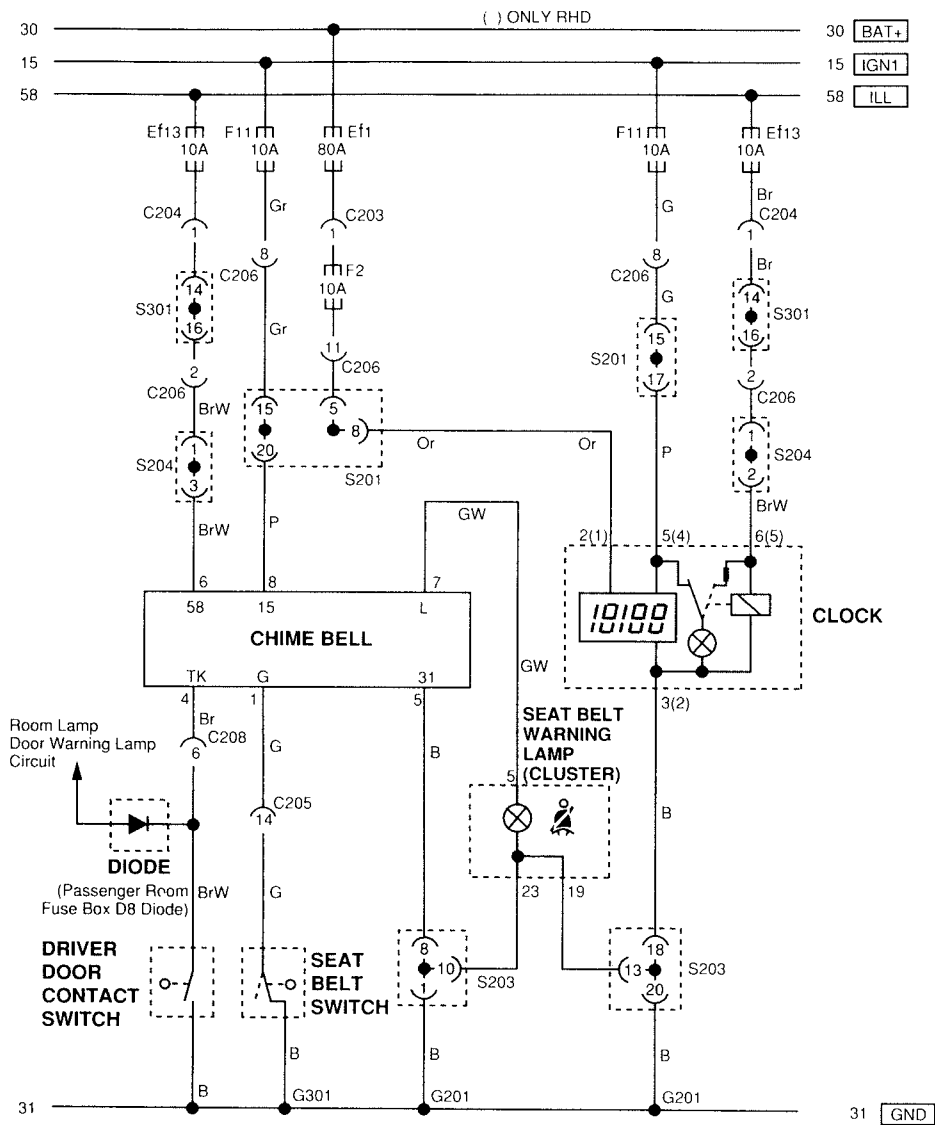
c. POSITION OF CONNECTORS AND GROUNDS

■ W/H FRONT

▣ W/H FRONT BUMPER



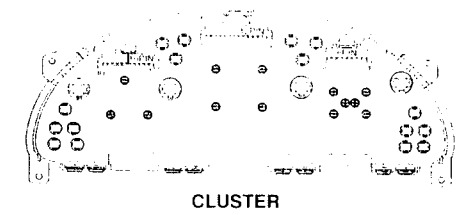
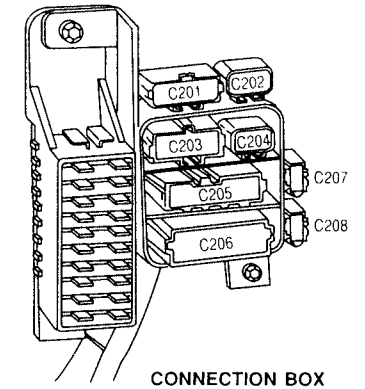
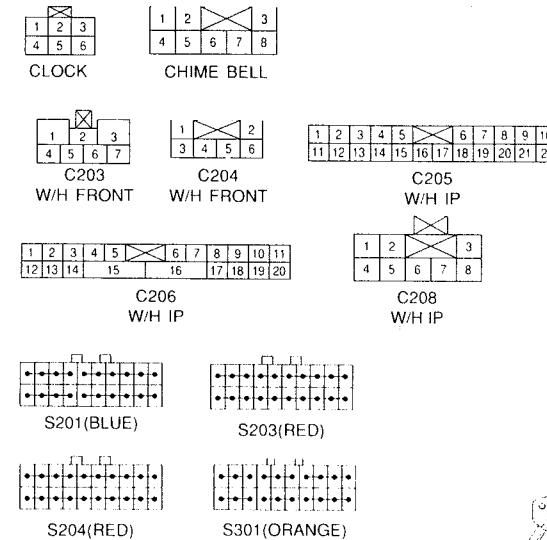
15. CHIME BELL. CLOCK CIRCUIT



a. CONNECTOR INFORMATION

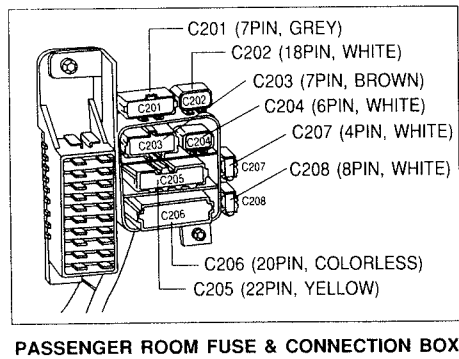
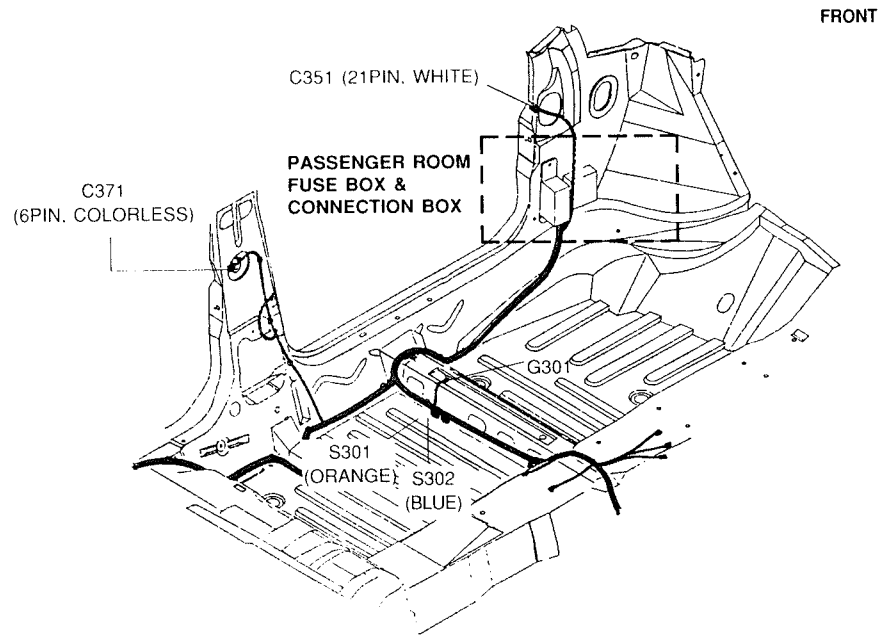
CONNECTOR(NO) (PIN NO. COLOR)	CONNECTING. WIRING HARNESS	CONNECTOR POSITION
C203 (7PIN. BROWN)	W/H Front - Floor	Connection Box Next to Passenger Room Fuse Box
C204 (6PIN. WHITE)	W/H Front - Floor	Connection Box Next to Passenger Room Fuse Box
C205 (22PIN. WHITE)	W/H Floor - IP	Connection Box Next to Passenger Room Fuse Box
C206 (20PIN. COLORLESS)	W/H Floor - IP	Connection Box Next to Passenger Room Fuse Box
C208 (8PIN. WHITE)	W/H Floor - IP	Connection Box Next to Passenger Room Fuse Box
S201 (20PIN. BLUE)	Splice Pack	Next to Passenger Room Relay Box
S203 (20PIN. RED)	Splice Pack	Next to Passenger Room Relay Box
S204 (20PIN. RED)	Splice Pack	Above Glove Box
S301 (20PIN. ORANGE)	Splice Pack	Below Driver Seat
G201	Ground	Below Right Front Console Box
G301	Ground	Below Driver Seat

b. CONNECTOR IDENTIFICATION SYMBOL & PIN NUMBER POSITION



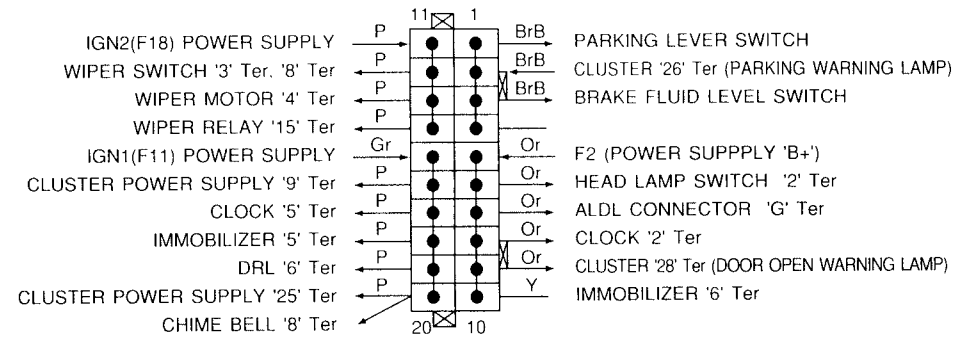
c. POSITION OF CONNECTORS AND GROUNDS

- W/H FLOOR
- FLOOR PANEL LEFT

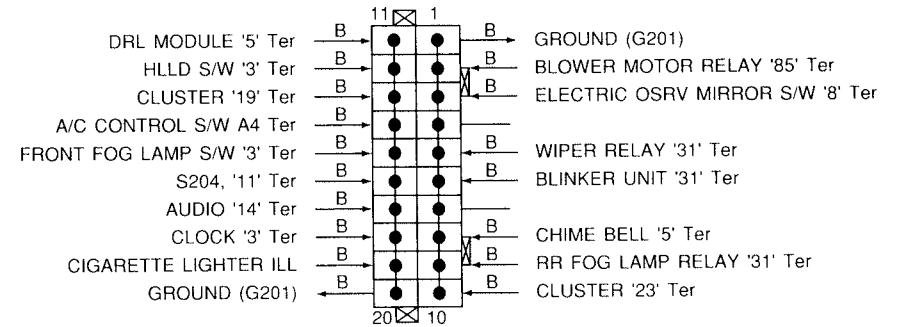


d. SPLICE PACK

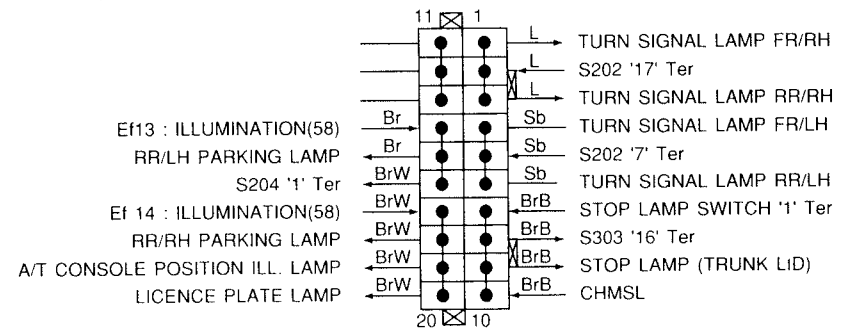
S201(BLUE)



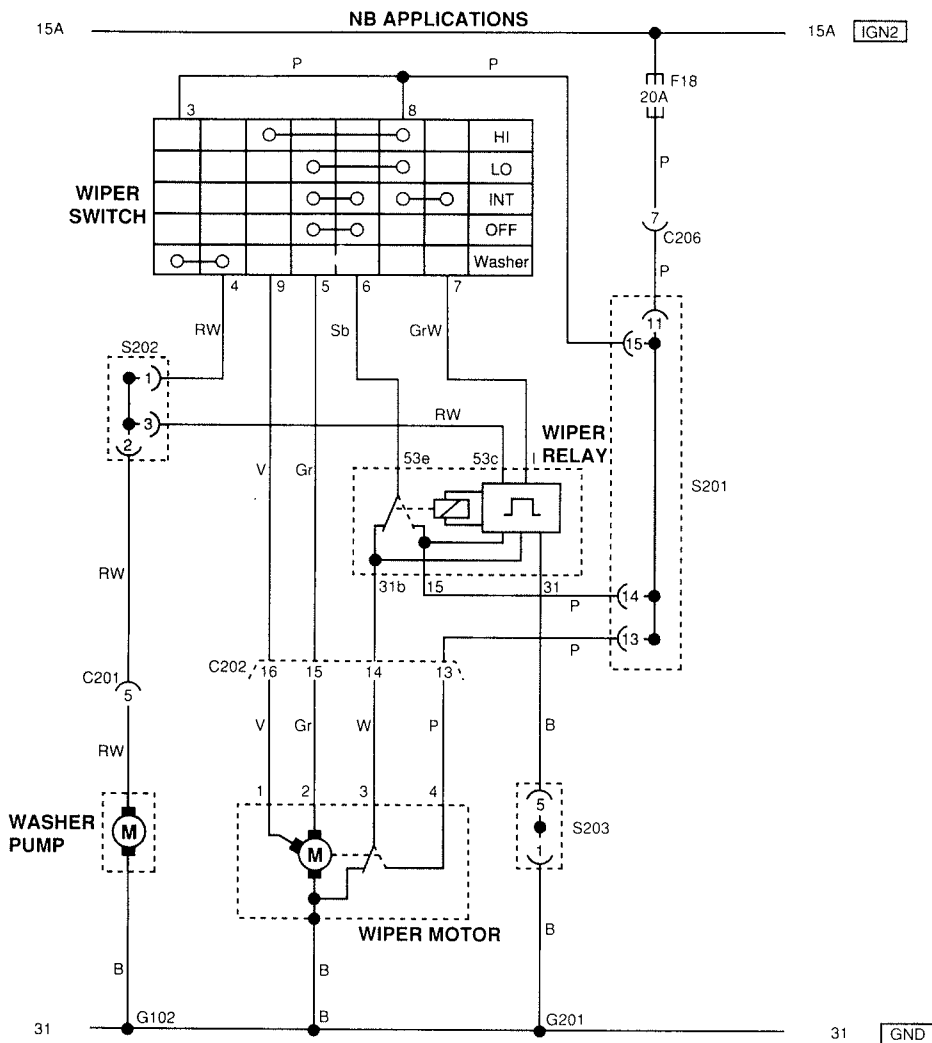
S203(RED)



S301(ORANGE)



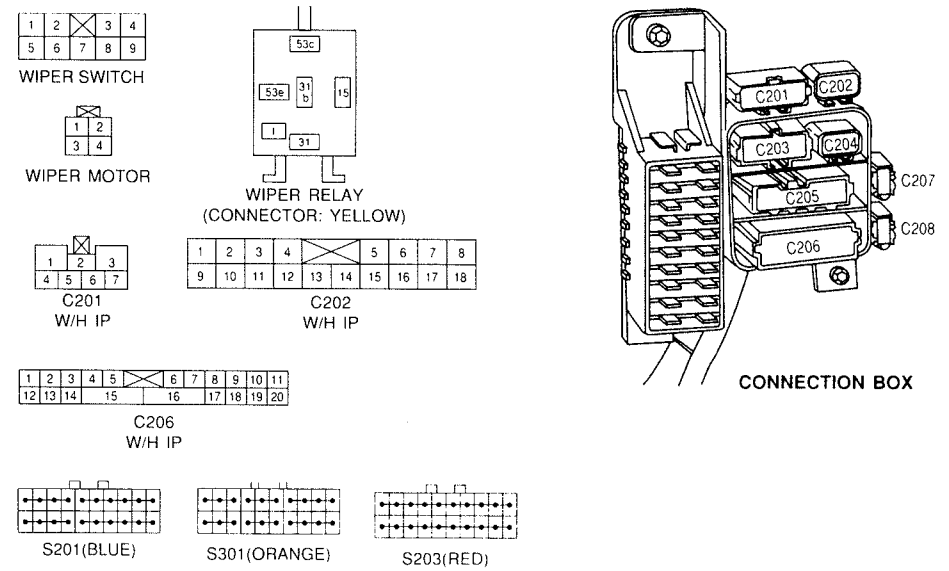
16. WIPER CIRCUIT



a. CONNECTOR INFORMATION

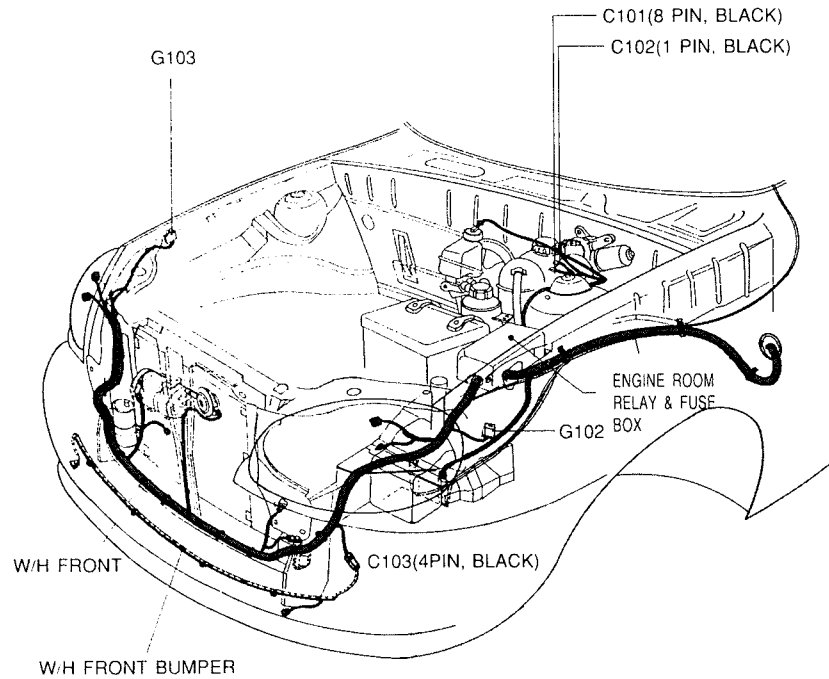
CONNECTOR(No) (PIN NO. COLOR)	CONNECTING. WIRING HARNESS	CONNECTOR POSITION
C201 (7PIN GRAY)	W/H Front - IP	Connection Box Next to Passenger Room Fuse Box
C202 (18PIN WHITE)	W/H Front - IP	Connection Box Next to Passenger Room Fuse Box
C206 (20PIN. COLORLESS)	W/H Floor - IP	Connection Box Next to Passenger Room Fuse Box
S201 (20PIN. BLUE)	Splice Pack	Next to Passenger Room Relay Box
S202 (20PIN. ORNAGE)	Splice Pack	Next to Passenger Room Relay Box
S203 (20PIN. RED)	Splice Pack	Next to Passenger Room Relay Box
G102	Ground	Fender Below Engine Room Fuse Box
G201	Ground	Below Right Front Console Box

b. CONNECTOR IDENTIFICATION SYMBOL & PIN NUMBER POSITION



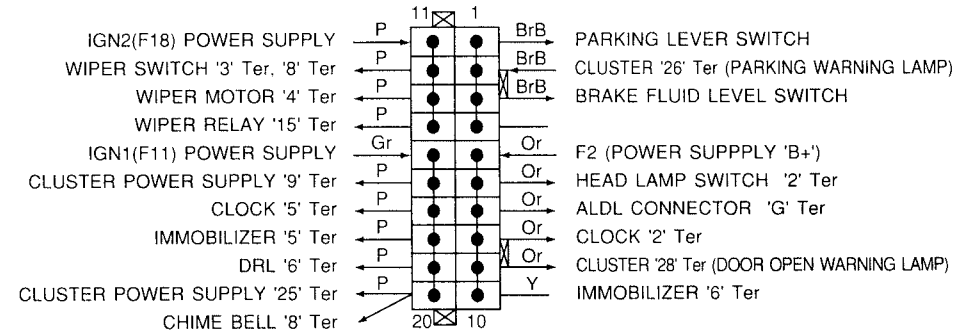
c. POSITION OF CONNECTORS AND GROUNDS

- W/H FRONT
- W/H FRONT BUMPER

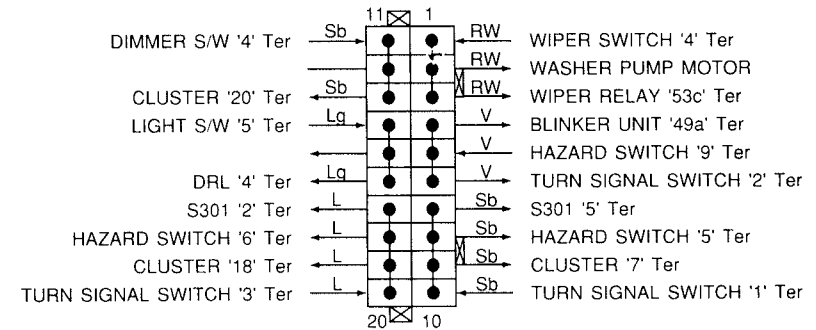


d. SPLICE PACK

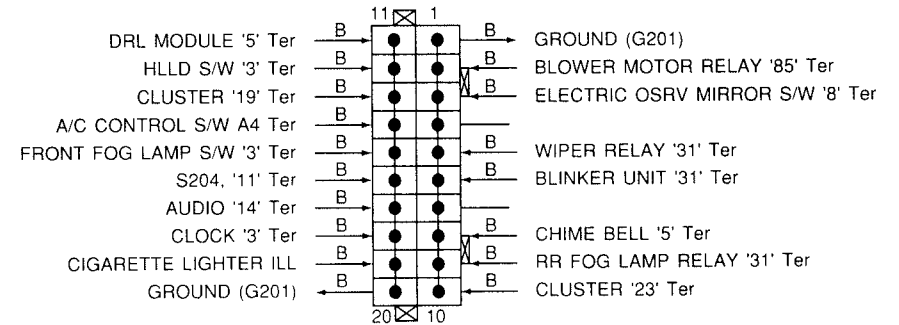
S201(BLUE)



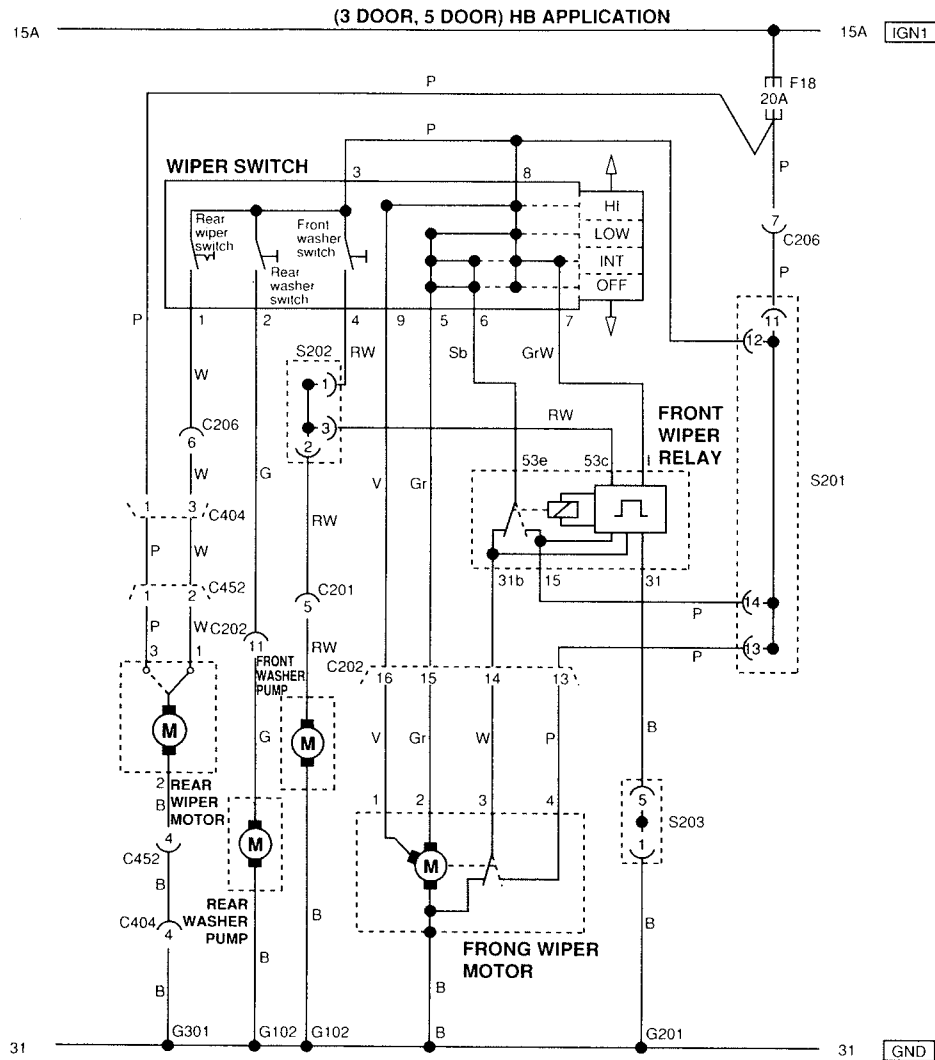
S202(ORANGE)



S203(RED)



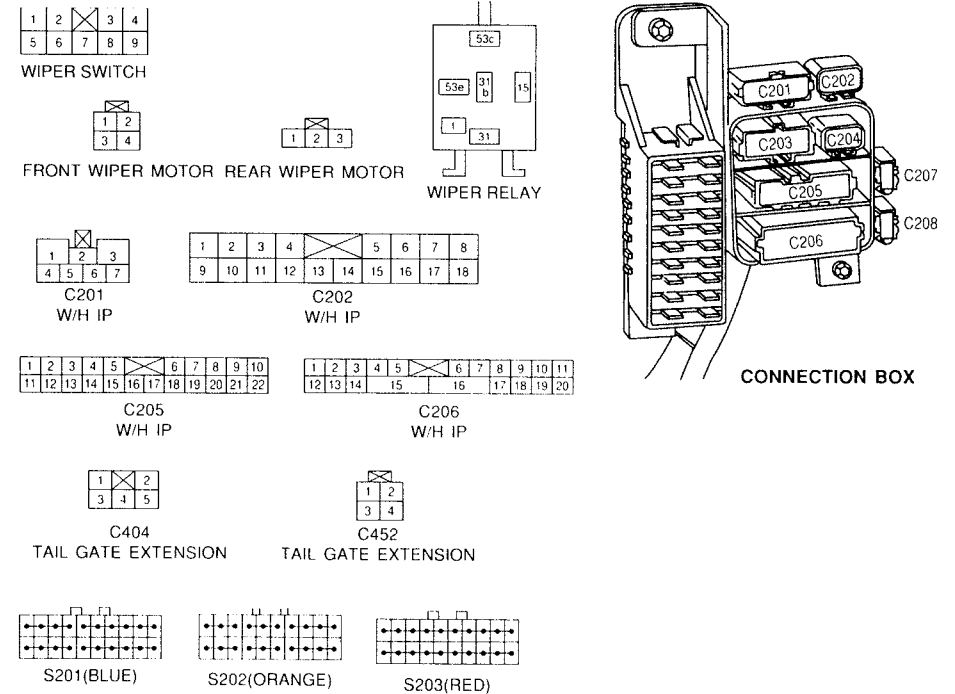
16-1. FRONT WIPER & REAR WIPER CIRCUIT




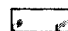
a. CONNECTOR INFORMATION

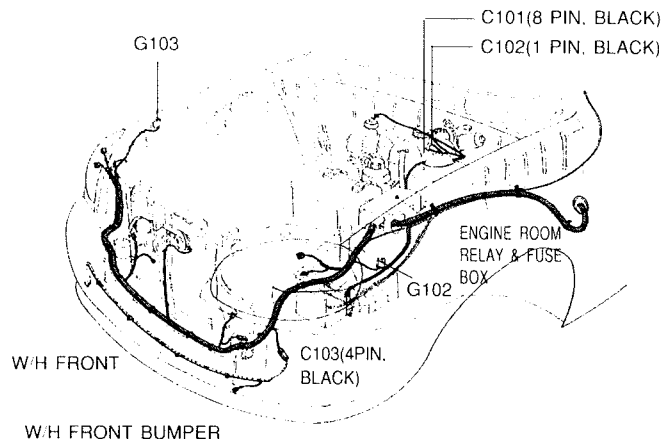
CONNECTOR(NO) (PIN NO. COLOR)	CONNECTING. WIRING HARNESS	CONNECTOR POSITION
C201 (7PIN. GRAY)	W/H Front - IP	Connection Box Next to Passenger Room Fuse Box
C202 (18PIN. WHITE)	W/H Front - IP	Connection Box Next to Passenger Room Fuse Box
C205 (22PIN. YELLOW)	W/H Floor - IP	Connection Box Next to Passenger Room Fuse Box
C206 (20PIN. COLORLESS)	W/H Floor - IP	Connection Box Next to Passenger Room Fuse Box
C404 (5PIN WHITE)	W/H Floor - Tail Gate Extension	Inside Trunk
C452 (3PIN WHITE)	W/H Tail Gate Extension - Tail Gate	Inside Tail Gate
S201 (20PIN. BLUE)	Splice Pack	Next to Passenger Room Relay Box
S202 (20PIN. ORNAGE)	Splice Pack	Next to Passenger Room Relay Box
S203 (20PIN. RED)	Splice Pack	Next to Passenger Room Relay Box
G102	Ground	Fender Below Engine Room Fuse Box
G201	Ground	Below Right Front Console Box
G301	Ground	Below Driver Seat



b. CONNECTOR IDENTIFICATION SYMBOL & PIN NUMBER POSITION

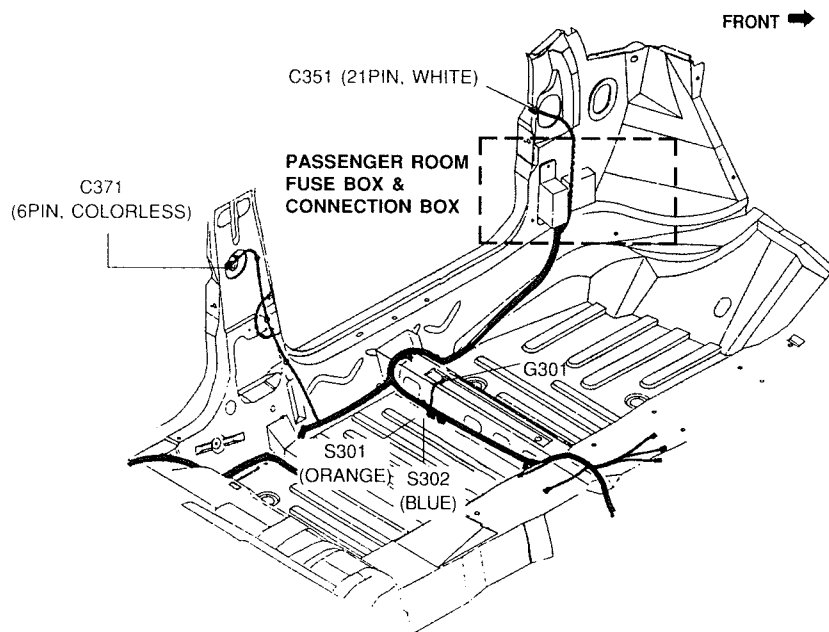


c. POSITION OF CONNECTORS AND GROUNDS

-  W/H FRONT
-  W/H FRONT BUMPER

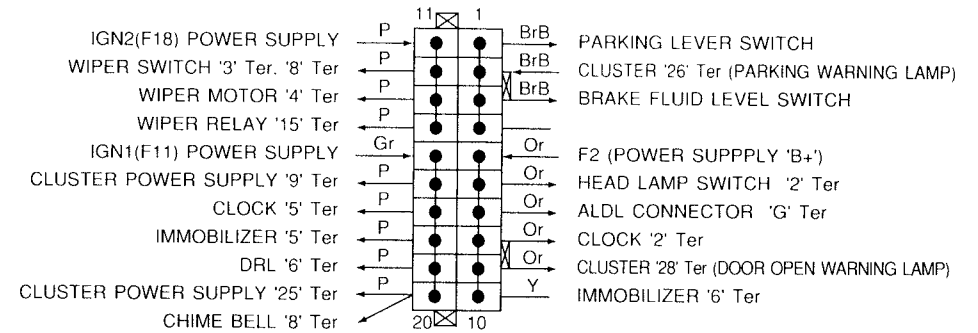


-  W/H FLOOR
-  FLOOR PANEL LEFT

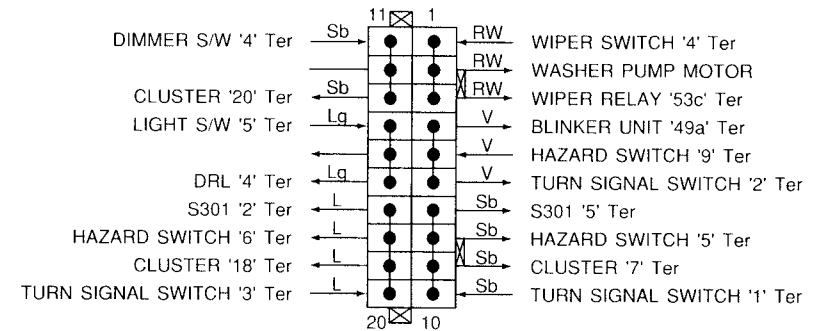


d. SPLICE PACK

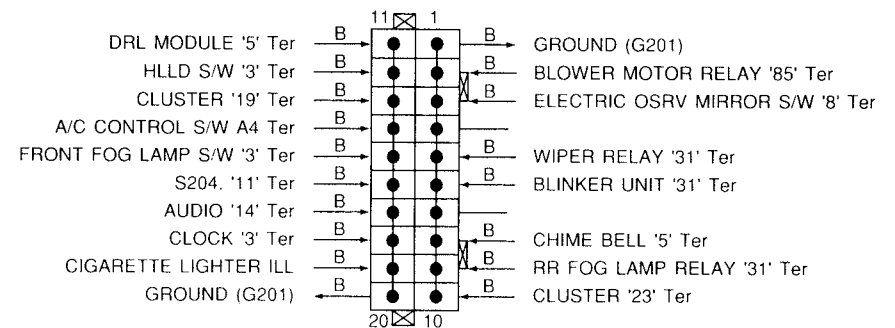
S201(BLUE)



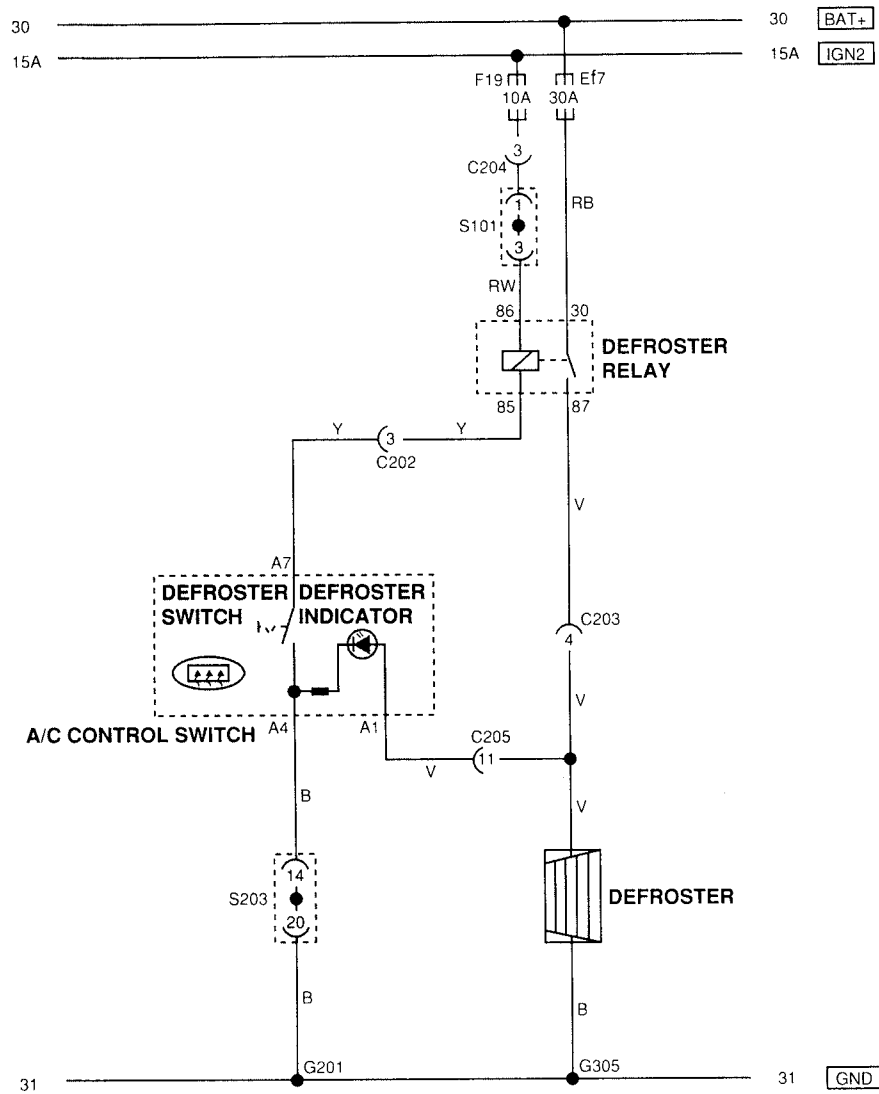
S202(ORANGE)



S203(RED)



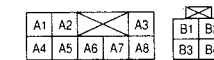
17. REAR WINDOW DEFROSTER CIRCUIT(NB)



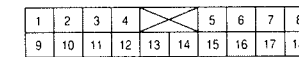
a. CONNECTOR INFORMATION

CONNECTOR(NO) (PIN NO. COLOR)	CONNECTING. WIRING HARNESS	CONNECTOR POSITION
C202 (18PIN. WHITE)	W/H Front - IP	Connection Box Next to Passenger Room Fuse Box
C203 (7PIN. BROWN)	W/H Front - Floor	Connection Box Next to Passenger Room Fuse Box
C204 (6PIN. WHITE)	W/H Front - Floor	Connection Box Next to Passenger Room Fuse Box
C205(22PIN. YELLOW)	W/H Floor - IP	Connection Box Next to Passenger Room Fuse Box
S101 (9PIN. BLACK)	Splice Pack	Engine Room Relay And Fuse Box
S203 (20PIN. RED)	Splice Pack	Next to Passenger Room Relay Box
G201	Ground	Below Right Front Console Box
G305	Ground	Inside Rear Window Right Pillar Trim

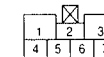
b. CONNECTOR IDENTIFICATION SYMBOL & PIN NUMBER POSITION



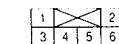
A/C CONTROL SWITCH



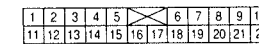
C202
W/H IP



C203
W/H FRONT



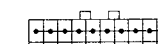
C204
W/H FRONT



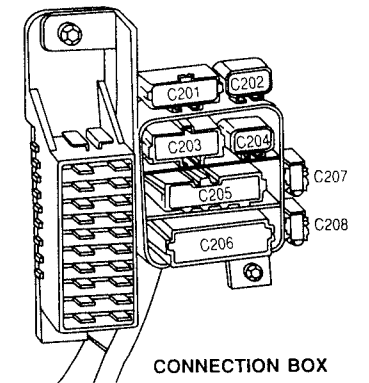
C205
W/H IP



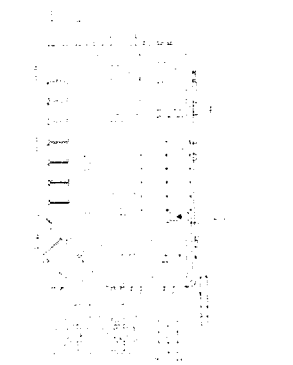
S101
(BLACK)



S203(RED)

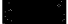



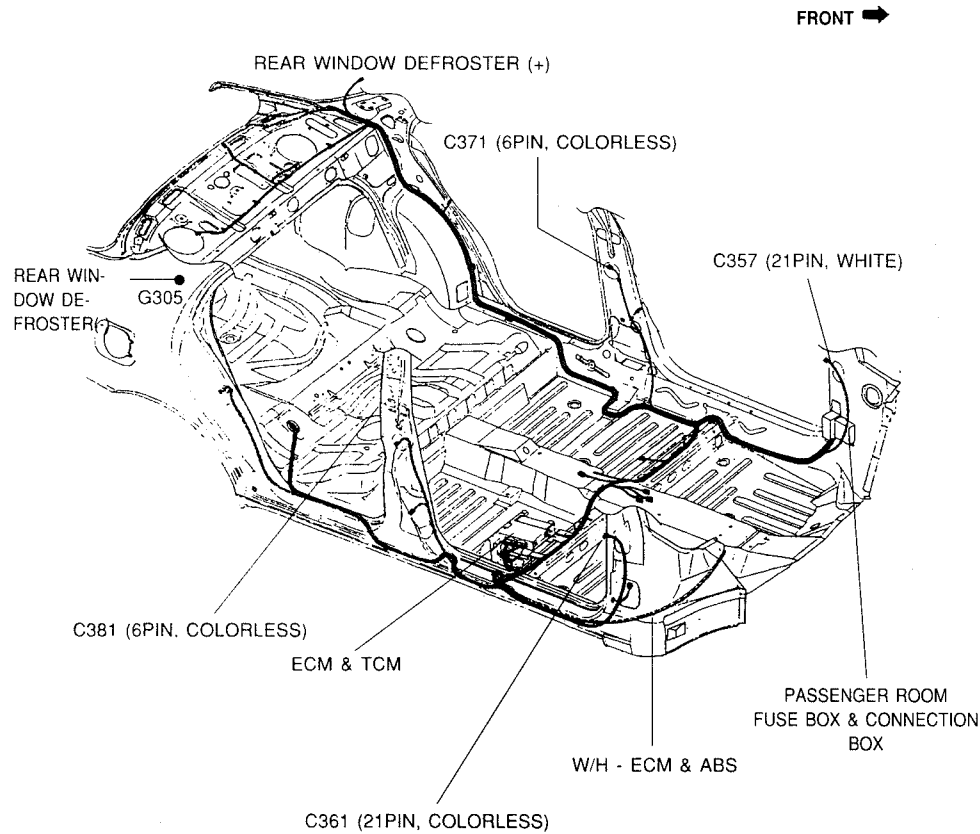
CONNECTION BOX



ENGINE ROOM FUSE BOX

c. POSITION OF CONNECTORS AND GROUNDS

-  W/H FLOOR
-  W/H ECM & ABS
- FLOOR PANEL



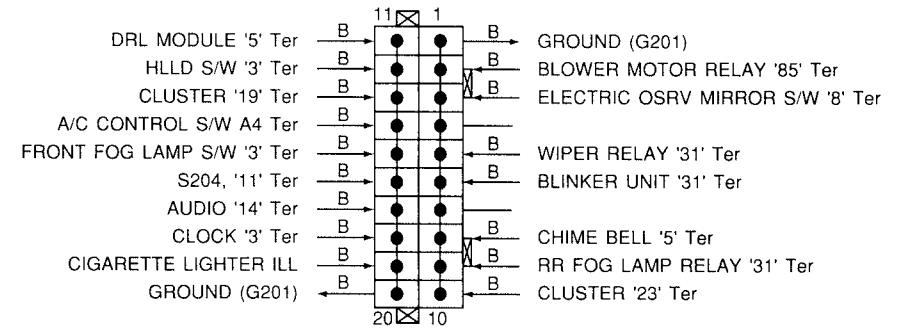
d. SPLICE PACK

S101(BLACK)

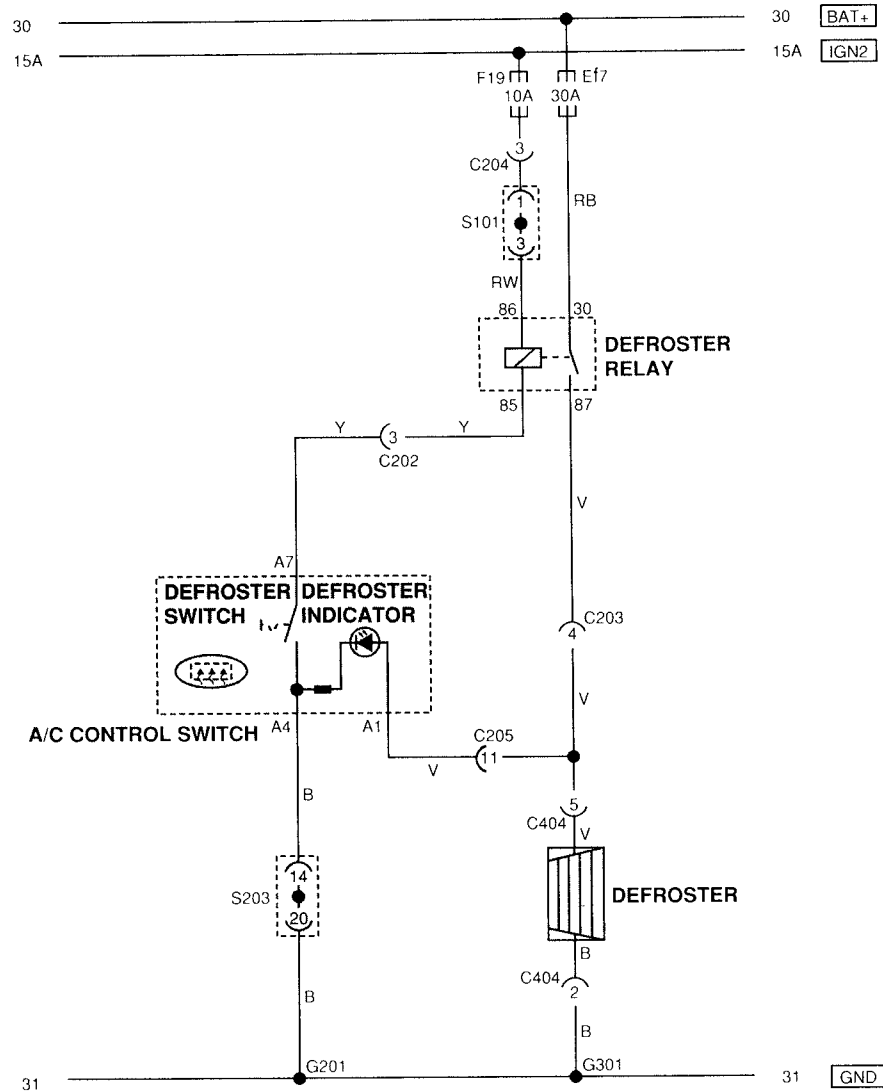
3 (RW)	6 (R)	9 (B)
2 (RW)	5 (R)	8 (B)
1 (RW)	4 (R)	7 (B)

1. IGN2(F19) POWER SUPPLY
A/C COMP. RELAY '86" Ter
COOLING FAN CONTROL RELAY "86" Ter
2. COOLING FAN RELAY A : '86" Ter
 B : '86" Ter
3. REAR WINDOW DEFROSTER RELAY : '86" Ter
POWER WINDOW RELAY : '86" Ter
4. BATTERY POWER SUPPLY(Ef4)
5. COOLING FAN RELAY A : '30" Ter
6. COOLING FAN RELAY B : '30" Ter
7. GROUND(G102)
DIODE (D9)
8. HEAD LAMP & ILL. RELAY '85" Ter
POWER WINDOW RELAY '85" Ter
9. FR/FOG LAMP RELAY '85" Ter

S203(RED)



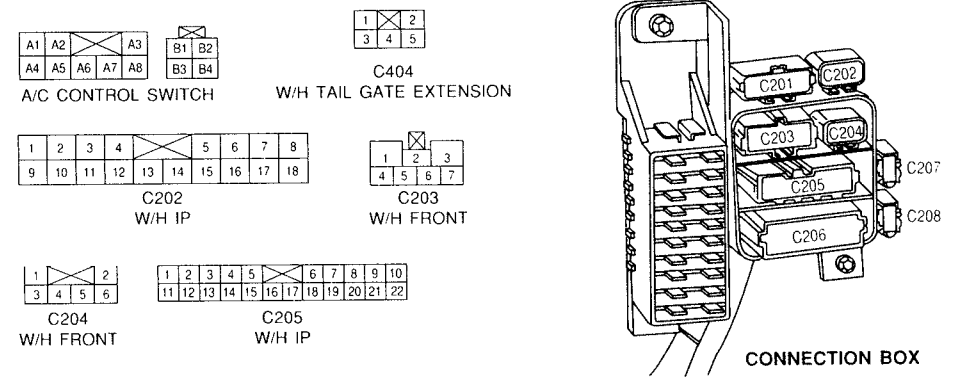
17-1. REAR WINDOW DEFROSTER CIRCUIT(HB)



a. CONNECTOR INFORMATION


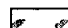
CONNECTOR(NO) (PIN NO. COLOR)	CONNECTING. WIRING HARNESS	CONNECTOR POSITION
C202 (18PIN. WHITE)	W/H Front - IP	Connection Box Next to Passenger Room Fuse Box
C203 (7PIN. BROWN)	W/H Front - Floor	Connection Box Next to Passenger Room Fuse Box
C204 (6PIN. WHITE)	W/H Front - Floor	Connection Box Next to Passenger Room Fuse Box
C205(22PIN. YELLOW)	W/H Floor - IP	Connection Box Next to Passenger Room Fuse Box
C404(5PIN.WHYTE)	W/H Floor Tail Gate Extension	Inside Trunk
S101 (9PIN. BLACK)	Splice Pack	Engine Room Relay And Fuse Box
S203 (20PIN. RED)	Splice Pack	Next to Passenger Room Relay Box
G201	Ground	Below Right Front Console Box
G305	Ground	Inside Rear Window Right Pillar Trim

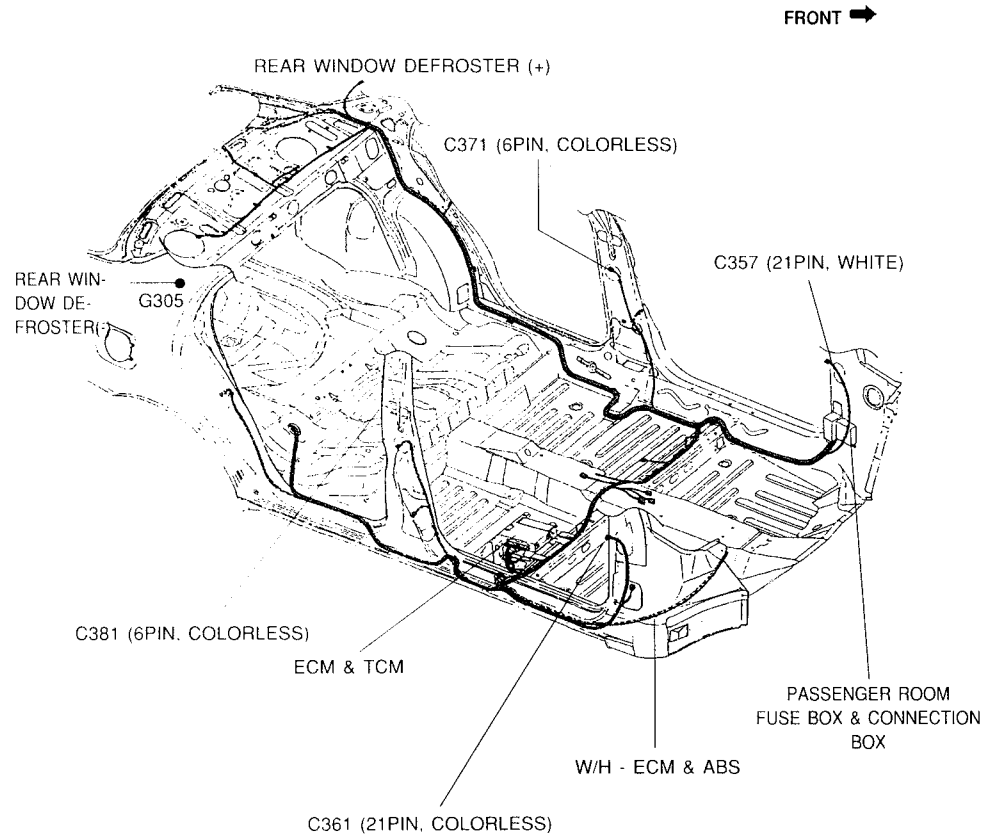
b. CONNECTOR IDENTIFICATION SYMBOL & PIN NUMBER POSITION



ENGINE ROOM FUSE BOX

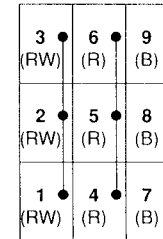
c. POSITION OF CONNECTORS AND GROUNDS

-  W/H FLOOR
-  W/H ECM & ABS
- FLOOR PANEL



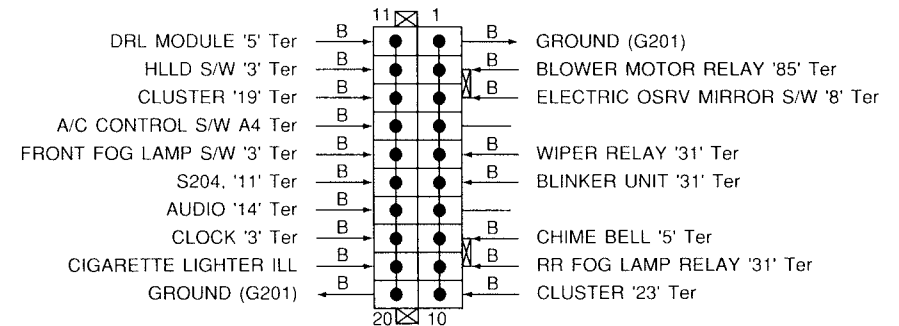
d. SPLICE PACK

S101(BLACK)

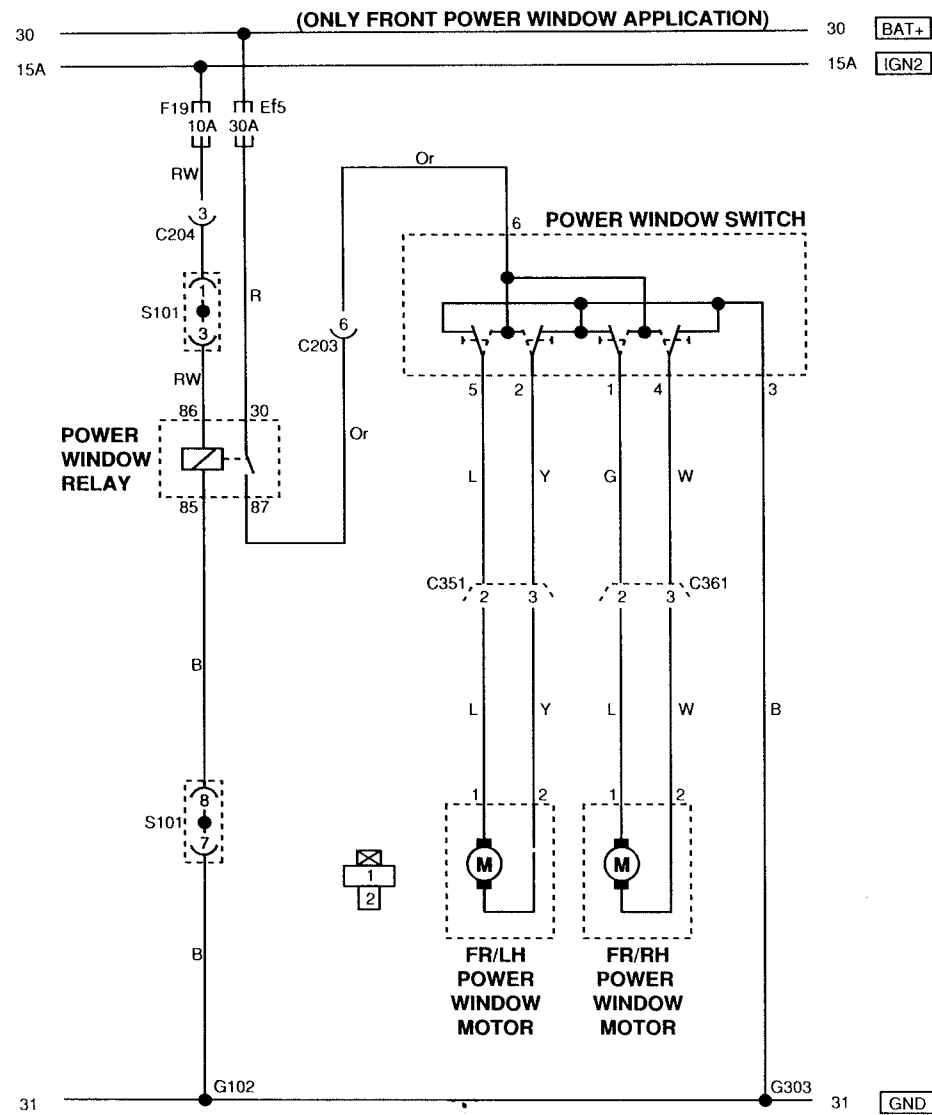


1. IGN2(F19) POWER SUPPLY
A/C COMP. RELAY "86" Ter
COOLING FAN CONTROL RELAY "86" Ter
2. COOLING FAN RELAY A : '86' Ter
B : '86' Ter
3. REAR WINDOW DEFROSTER RELAY : '86' Ter
POWER WINDOW RELAY : '86' Ter
4. BATTERY POWER SUPPLY(Ef4)
5. COOLING FAN RELAY A : '30' Ter
6. COOLING FAN RELAY B : '30' Ter
7. GROUND(G102)
DIODE (D9)
8. HEAD LAMP & ILL. RELAY '85' Ter
POWER WINDOW RELAY '85' Ter
9. FR/FOG LAMP RELAY '85' Ter

S203(RED)



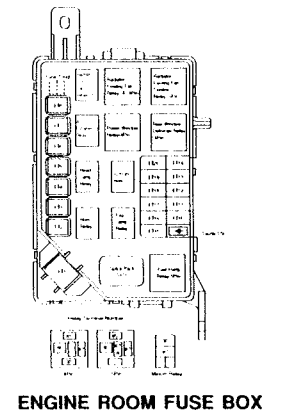
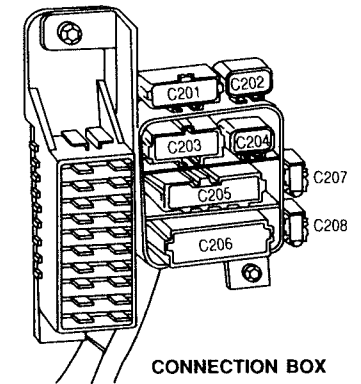
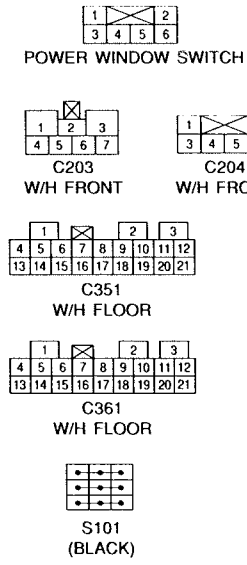
18. POWER WINDOW CIRCUIT





a. CONNECTOR INFORMATION

CONNECTOR(NO) (PIN NO. COLOR)	CONNECTING. WIRING HARNESS	CONNECTOR POSITION
C203 (7PIN. BROWN)	W/H Front - Floor	Connection Box Next to Passenger Room Fuse Box
C204 (6PIN. WHITE)	W/H Front - Floor	Connection Box Next to Passenger Room Fuse Box
C351 (21PIN. WHITE)	W/H Floor - Front Left Door	Below Front left Door Upper Hinge
C361 (21PIN. WHITE)	W/H Floor - Front Right Door	Below Front right Door Upper Hinge
S101 (9PIN. BLACK)	Splice Pack	EngineRoom Relay And Fuse Box
G102	Ground	Fender Below Engine Room Fuse Box
G303	Ground	Below Co-Driver Seat

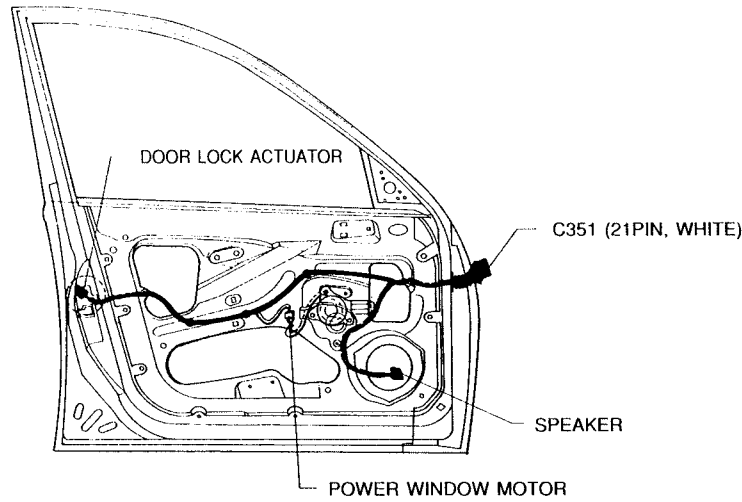
b. CONNECTOR IDENTIFICATION SYMBOL & PIN NUMBER POSITION



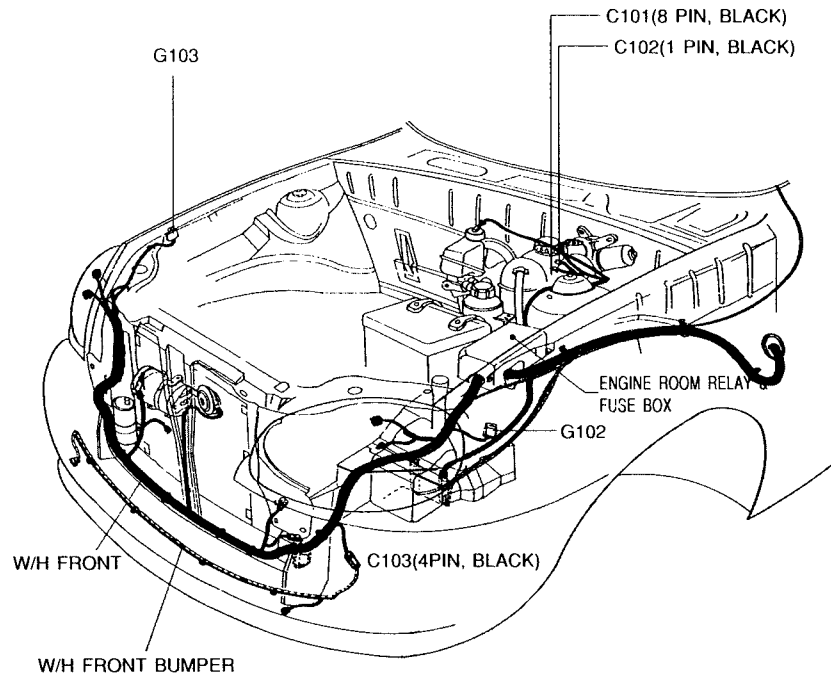
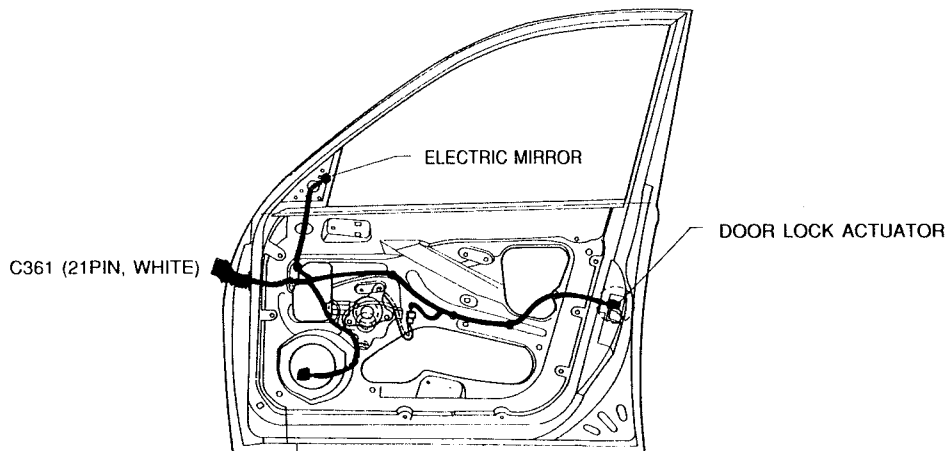
c. POSITION OF CONNECTORS AND GROUNDS

 W/H FRONT
 W/H FRONT BUMPER

 W/H FRONT DOOR LEFT



 W/H FRONT DOOR RIGHT



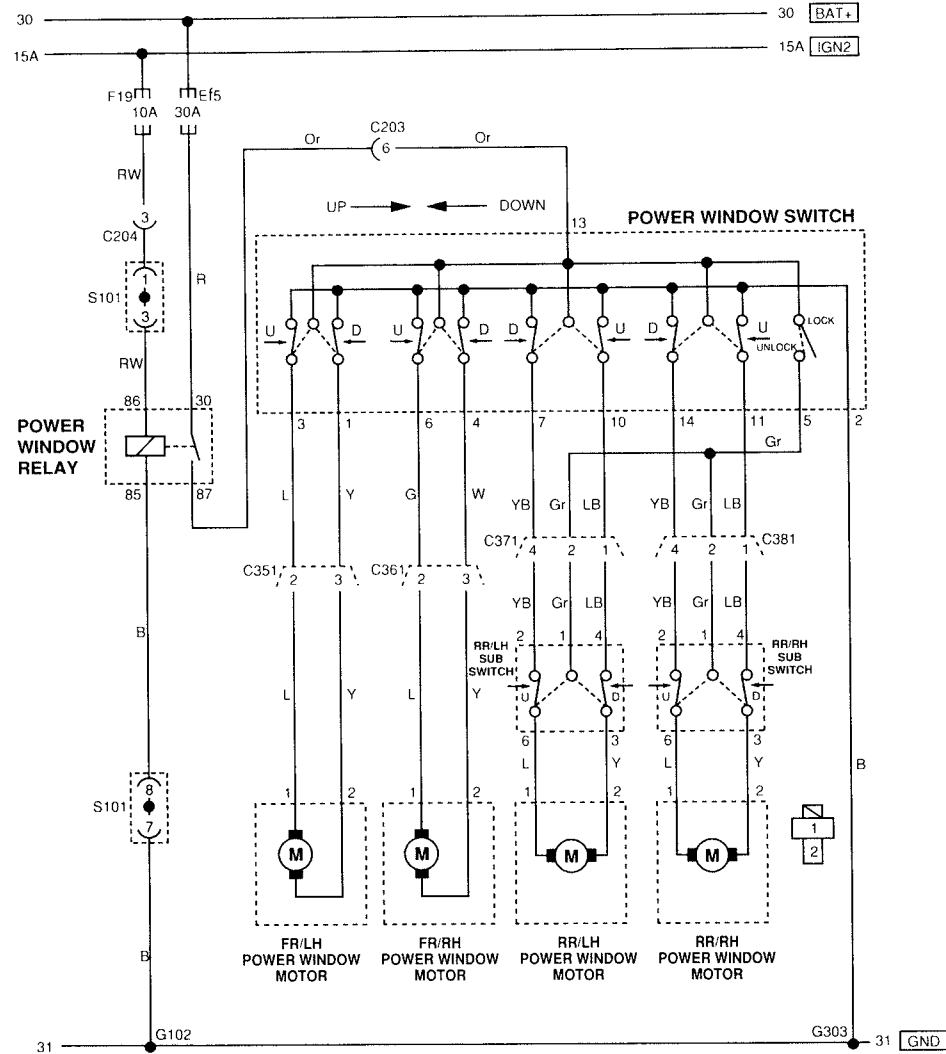
d. SPLICE PACK

S101(BLACK)

3 ● (RW)	6 ● (R)	9 ● (B)
2 ● (RW)	5 ● (R)	8 ● (B)
1 ● (RW)	4 ● (R)	7 ● (B)

1. IGN2(F19) POWER SUPPLY
A/C COMP. RELAY '86" Ter
COOLING FAN CONTROL RELAY "86" Ter
2. COOLING FAN RELAY A : '86' Ter
 B : '86' Ter
3. REAR WINDOW DEFROSTER RELAY : '86' Ter
POWER WINDOW RELAY : '86' Ter
4. BATTERY POWER SUPPLY(Ef4)
5. COOLING FAN RELAY A : '30' Ter
6. COOLING FAN RELAY B : '30' Ter
7. GROUND(G102)
DIODE (D9)
8. HEAD LAMP & ILL. RELAY '85' Ter
POWER WINDOW RELAY '85' Ter
9. FR/FOG LAMP RELAY '85' Ter

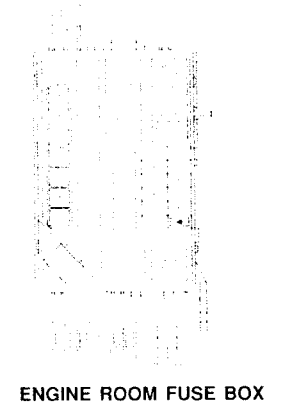
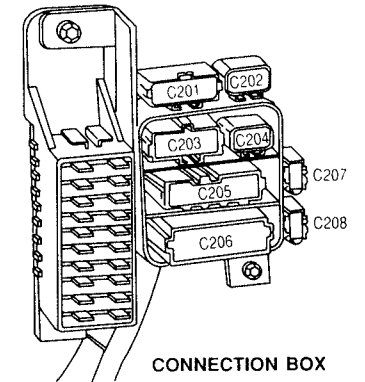
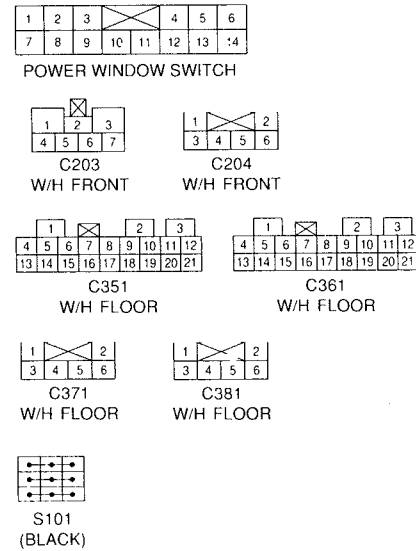
18-1. POWER WINDOW CIRCUIT (FRONT & REAR)



a. CONNECTOR INFORMATION

CONNECTOR(NO) (PIN NO. COLOR)	CONNECTING. WIRING HARNESS	CONNECTOR POSITION
C203 (7PIN. BROWN)	W/H Front - Floor	Connection Box Next to Passenger Room Fuse Box
C204 (6PIN. WHITE)	W/H Front - Floor	Connection Box Next to Passenger Room Fuse Box
C351 (21PIN. WHITE)	W/H Floor - Front Left Door	Below Front Left Door Upper Hinge
C361 (21PIN. WHITE)	W/H Floor - Front Right Door	Below Front Right Door Upper Hinge
C371 (6PIN. COLORLESS)	W/H Floor - Front Left Door	Inside Left Center Pillar
C381 (6PIN. COLORLESS)	W/H Floor - Front Right Door	Inside Right Center Pillar
S101 (9PIN. BLACK)	Splice Pack	EngineRoom relay And Fuse Box
G102	Ground	Fender Below Engine Room Fuse Box
G303	Ground	Below Co-Driver Seat

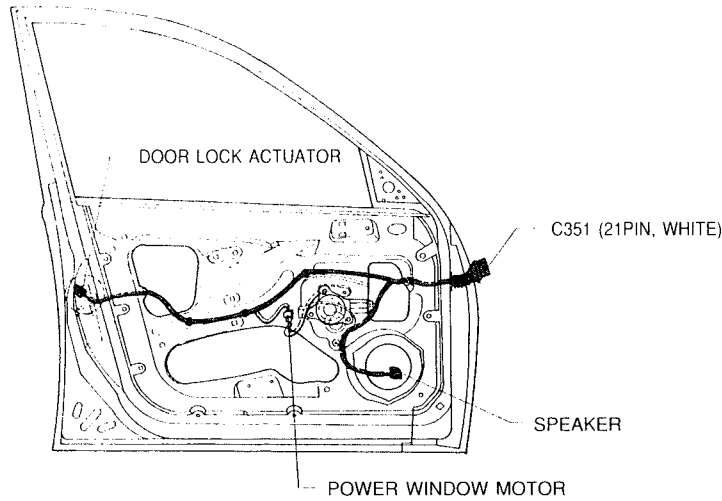
b. CONNECTOR IDENTIFICATION SYMBOL & PIN NUMBER POSITION



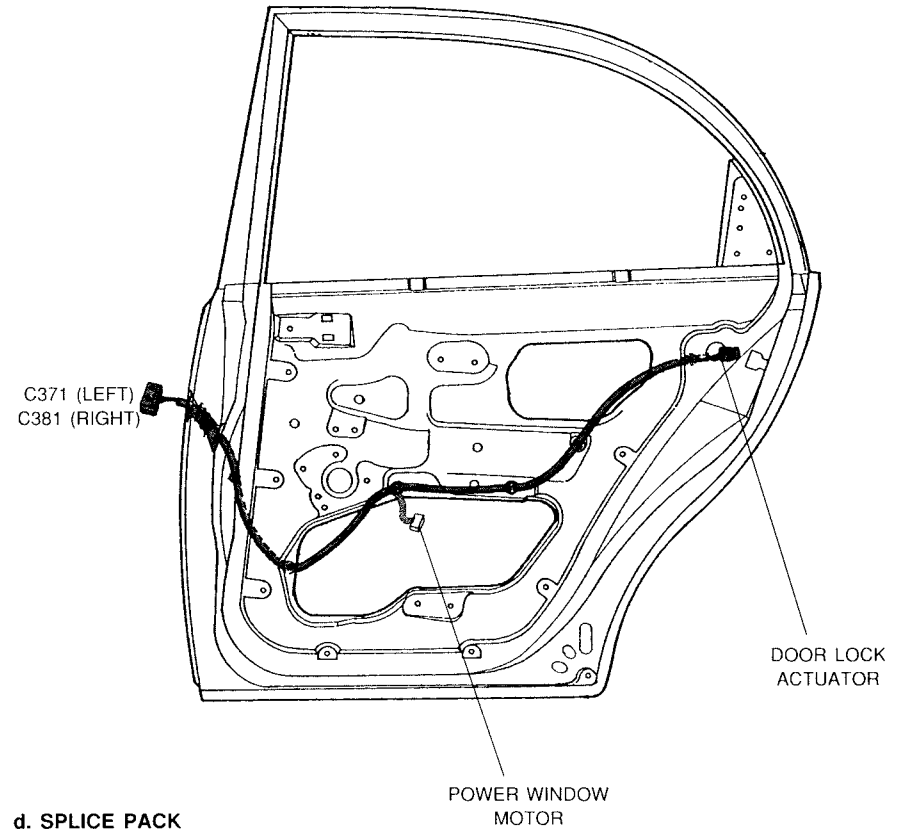
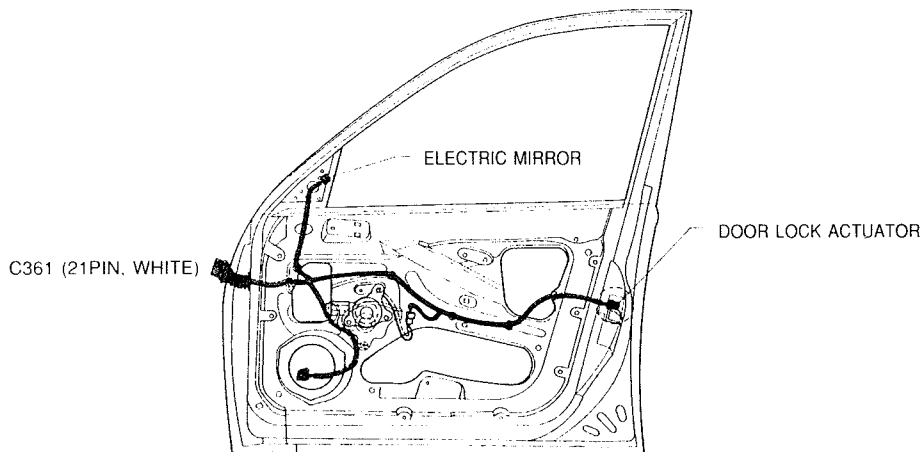
c. POSITION OF CONNECTORS AND GROUNDS

W/H REAR DOOR LEFT/RIGHT

W/H FRONT DOOR LEFT



W/H FRONT DOOR RIGHT



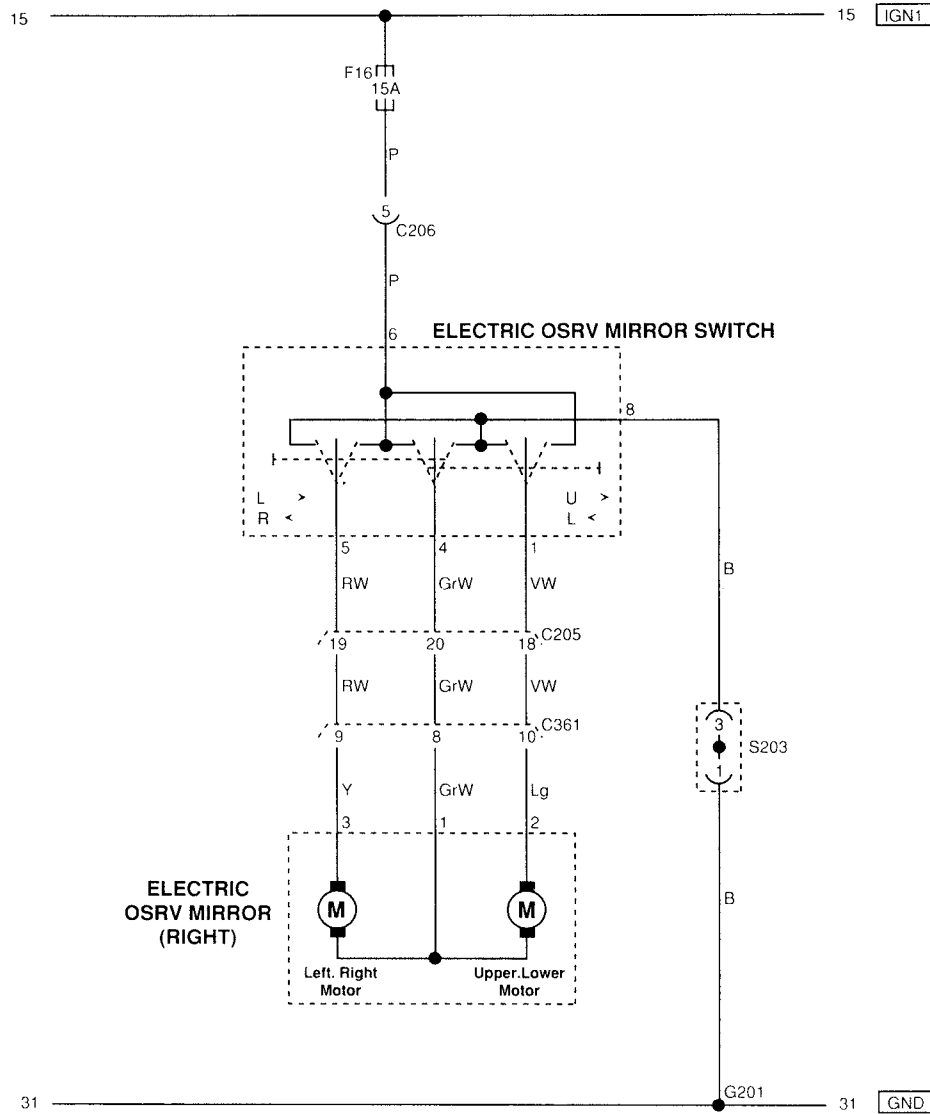
d. SPLICE PACK

S101(BLACK)

3 (RW)	6 (R)	9 (B)
2 (RW)	5 (R)	8 (B)
1 (RW)	4 (R)	7 (B)

- IGN2(F19) POWER SUPPLY
A/C COMP. RELAY '86" Ter
COOLING FAN CONTROL RELAY '86" Ter
- COOLING FAN RELAY A : '86" Ter
B : '86" Ter
- REAR WINDOW DEFROSTER RELAY : '86" Ter
POWER WINDOW RELAY : '86" Ter
- BATTERY POWER SUPPLY(E14)
- COOLING FAN RELAY A : '30" Ter
- COOLING FAN RELAY B : '30" Ter
- GROUND(G102)
DIODE (D9)
- HEAD LAMP & ILL. RELAY '85" Ter
POWER WINDOW RELAY '85" Ter
- FR/FOG LAMP RELAY '85" Ter

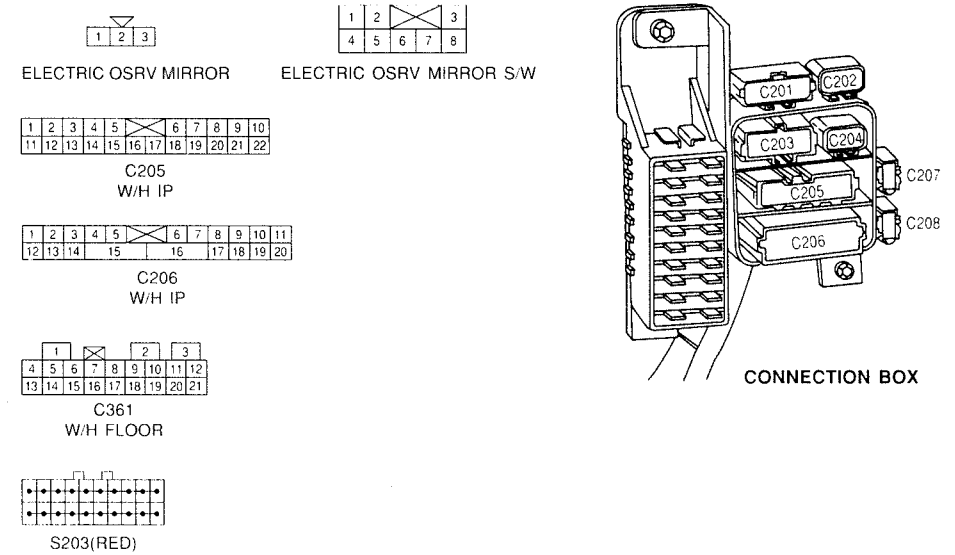
19. ELECTRIC OSRV (OUTSIDE REAR VIEW)MIRROR CIRCUIT (LHD)



a. CONNECTOR INFORMATION

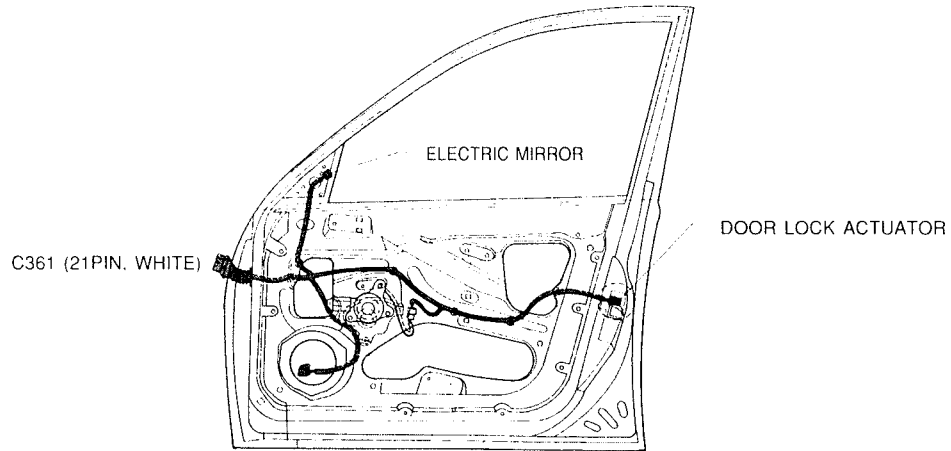
CONNECTOR(NO) (PIN NO. COLOR)	CONNECTING. WIRING HARNESS	CONNECTOR POSITION
C205 (22PIN. YELLOW)	W/H Floor - IP	Connection Box next to Passenger Room Fuse Box
C206 (20PIN. COLORLESS)	W/H Floor - IP	Connection Box next to Passenger Room Fuse Box
C361 (21PIN. WHITE)	W/H Floor - Front Right Door	Below Front Right Door Upper Hinge
S203 (20PIN. RED)	Splice Pack	Next to Passenger Room Relay Box
G201	Ground	Below Right Front Console Box

b. CONNECTOR IDENTIFICATION SYMBOL & PIN NUMBER POSITION



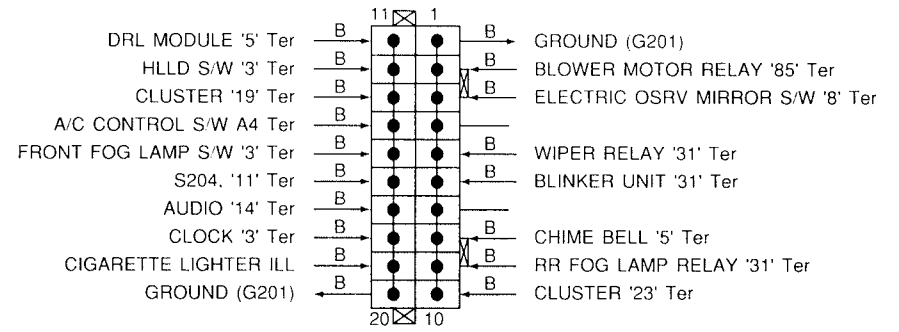
c. POSITION OF CONNECTORS AND GROUNDS

W/H FRONT DOOR RIGHT

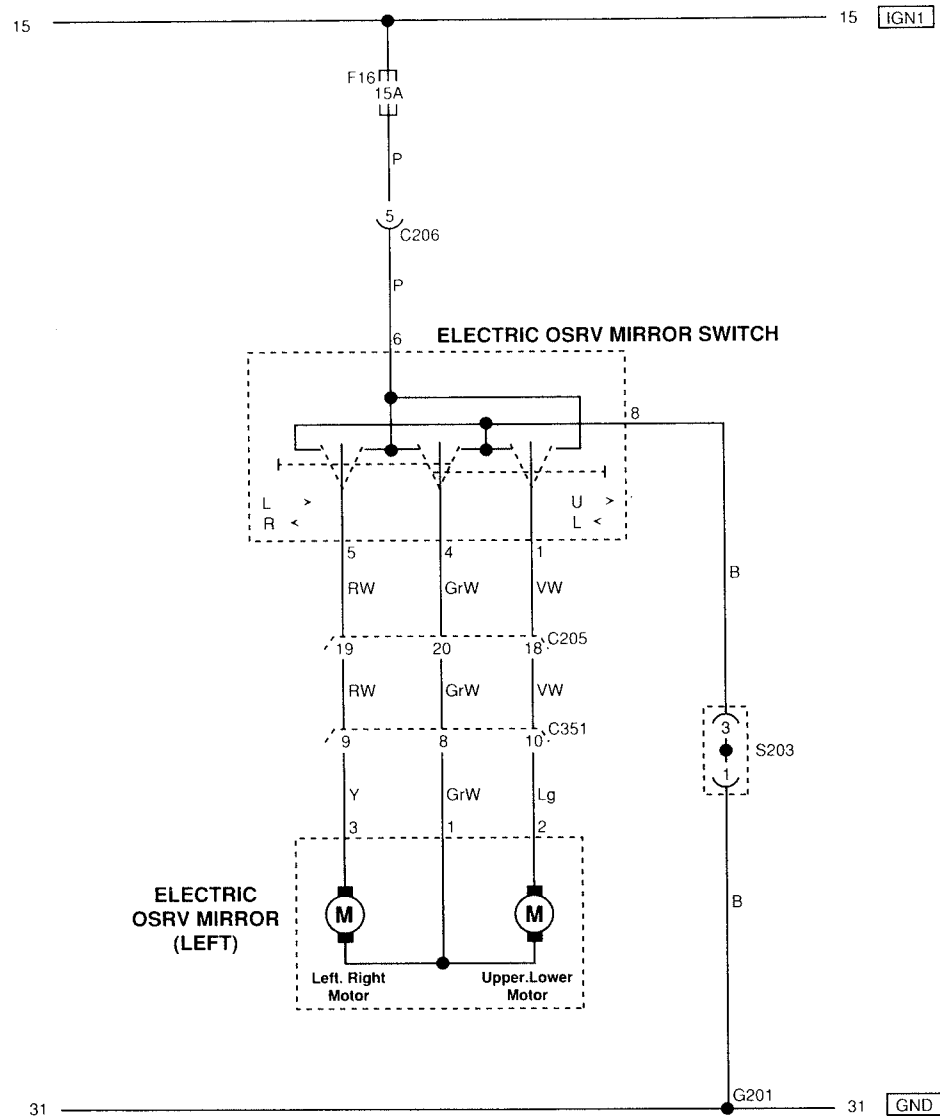


d. SPLICE PACK

S203(RED)



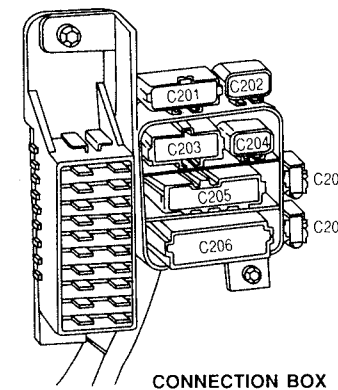
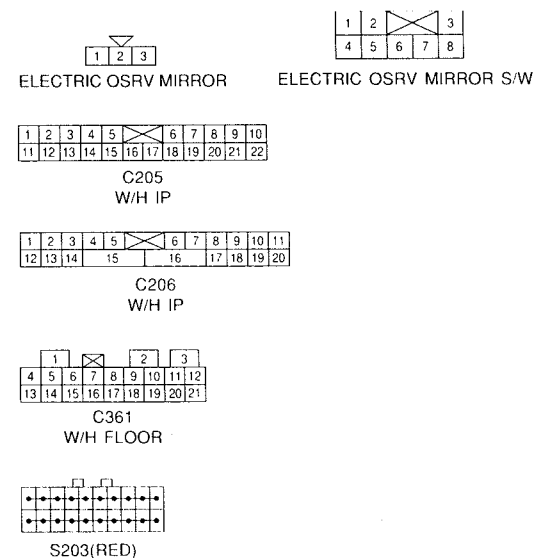
19-1. ELECTRIC OSRV (OUTSIDE REAR VIEW)MIRROR CIRCUIT (RHD)



a. CONNECTOR INFORMATION

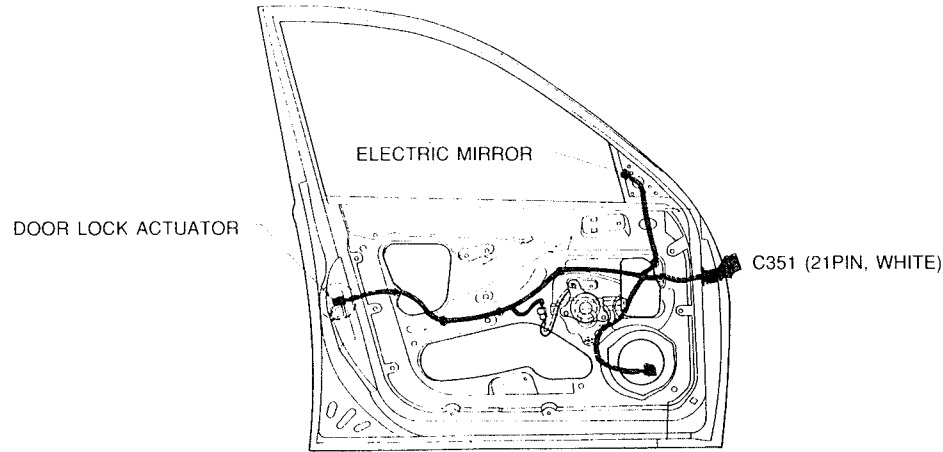
CONNECTOR(NO) (PIN NO. COLOR)	CONNECTING. WIRING HARNESS	CONNECTOR POSITION
C205 (22PIN. YELLOW)	W/H Floor - IP	Connection Box next to Passenger Room Fuse Box
C206 (20PIN. COLORLESS)	W/H Floor - IP	Connection Box next to Passenger Room Fuse Box
C351 (21PIN. WHITE)	W/H Floor - Front Left Door	Below Front Left Door Upper Hinge
S203 (20PIN. RED)	Splice Pack	Next to Passenger Room Relay Box
G201	Ground	Below Right Front Console Box

b. CONNECTOR IDENTIFICATION SYMBOL & PIN NUMBER POSITION



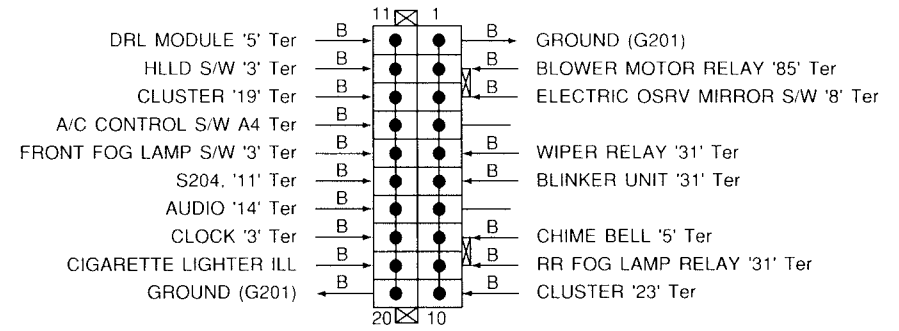
c. POSITION OF CONNECTORS AND GROUNDS

W/H FRONT DOOR LEFT

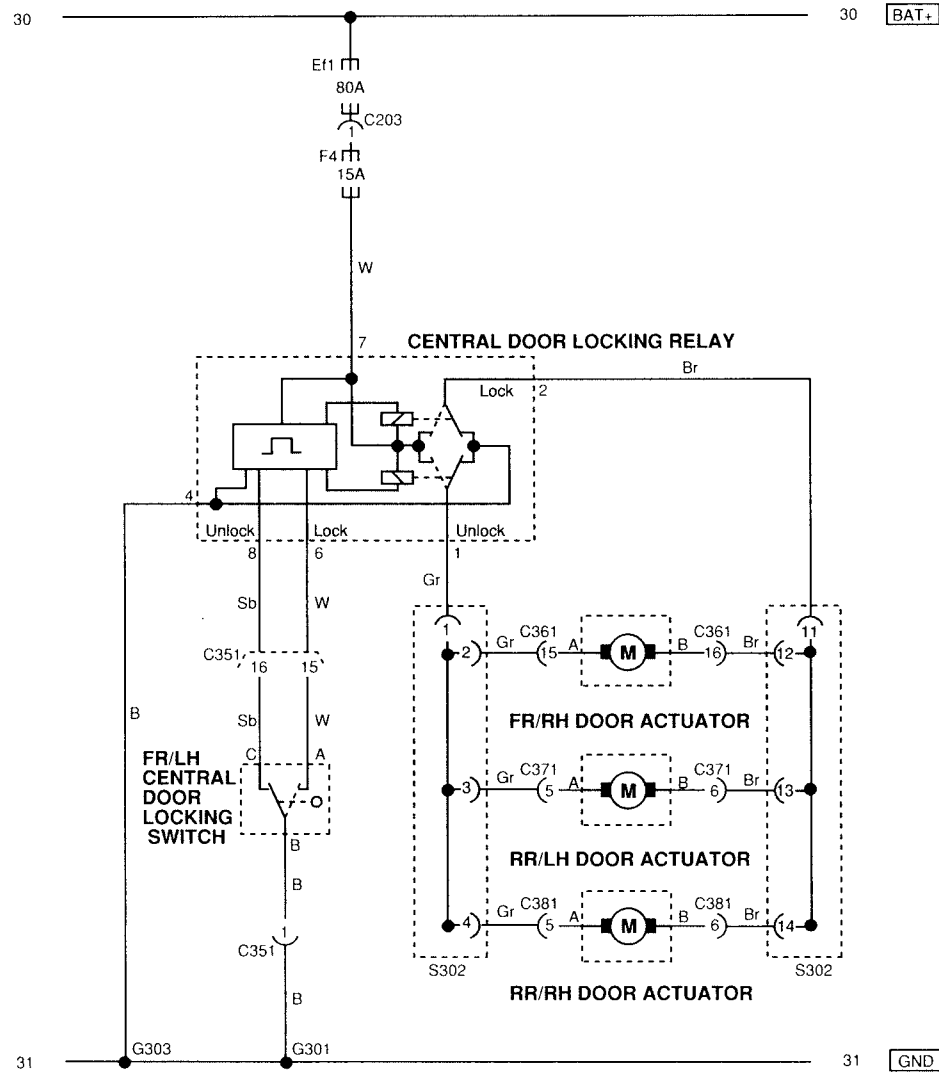


d. SPLICE PACK

S203(RED)



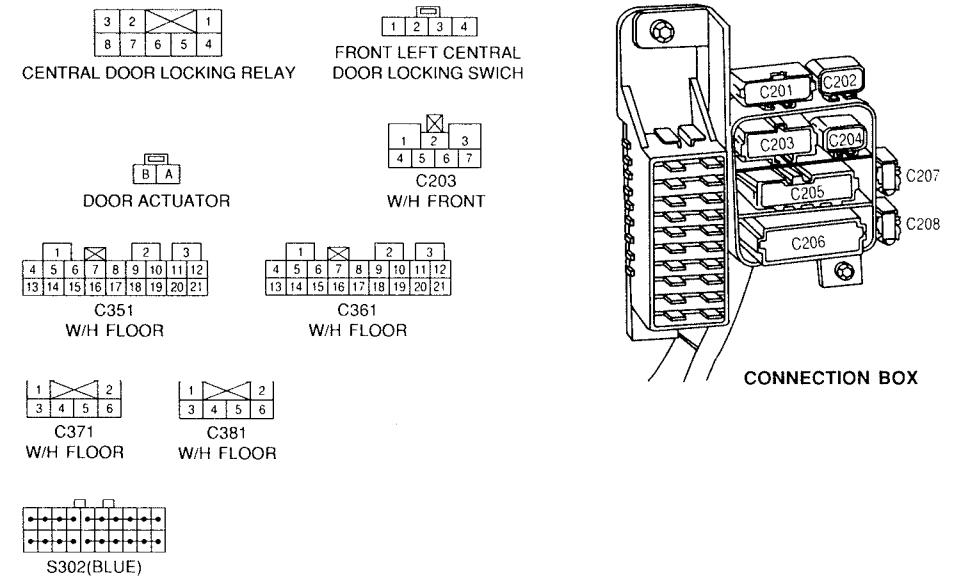
20. CENTRAL DOOR LOCKING CIRCUIT (NB – LHD)



a. CONNECTOR INFORMATION

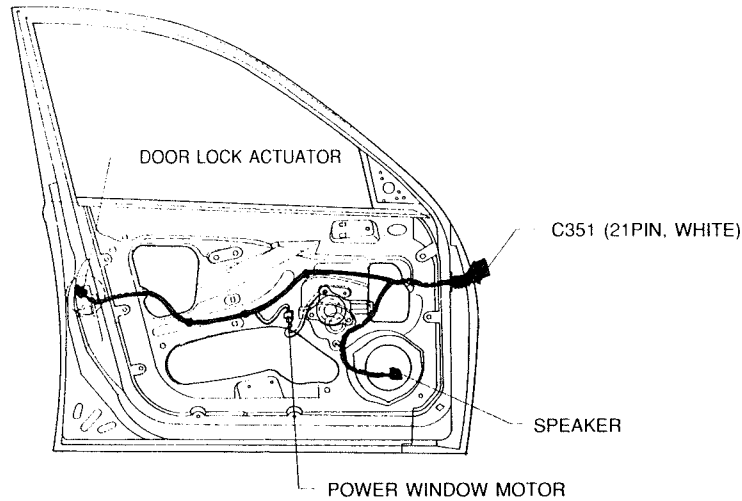
CONNECTOR(NO) (PIN NO. COLOR)	CONNECTING. WIRING HARNESS	CONNECTOR POSITION
C203 (7PIN. BROWN)	W/H Front - Floor	Connection Box Next to Passenger Room Fuse Box
C351 (21PIN. WHITE)	W/H Floor - Front Left Door	Below Front Left Door Upper Hinge
C361 (21PIN. WHITE)	W/H Floor - Front Right Door	Below Front Right Door Upper Hinge
C371 (6PIN. COLORLESS)	W/H Floor - Rear Left Door	Inside Left Center Pillar
C381 (6PIN. COLORLESS)	W/H Floor - Rear Right Door	Inside Right Center Pillar
S302 (20PIN. BLUE)	Splice Pack	Below Driver Seat
G301	Ground	Below Driver Seat
G303	Ground	Below Co-Driver Seat

b. CONNECTOR IDENTIFICATION SYMBOL & PIN NUMBER POSITION

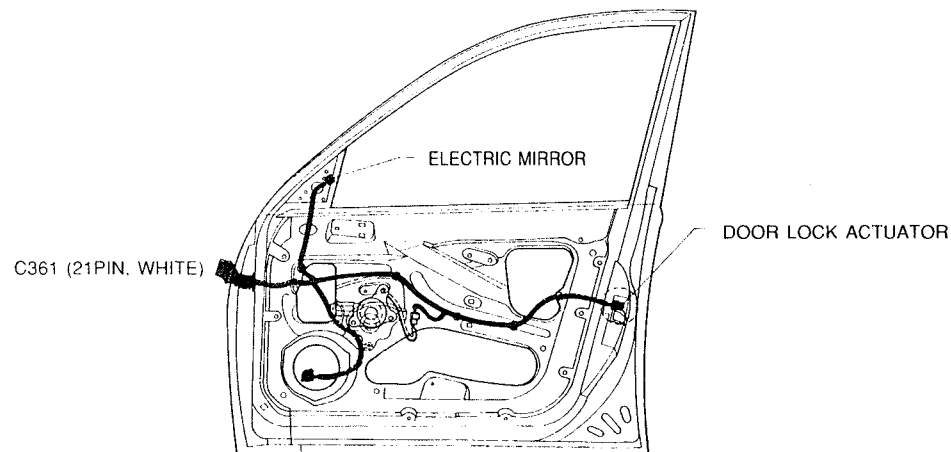


c. POSITION OF CONNECTORS AND GROUNDS

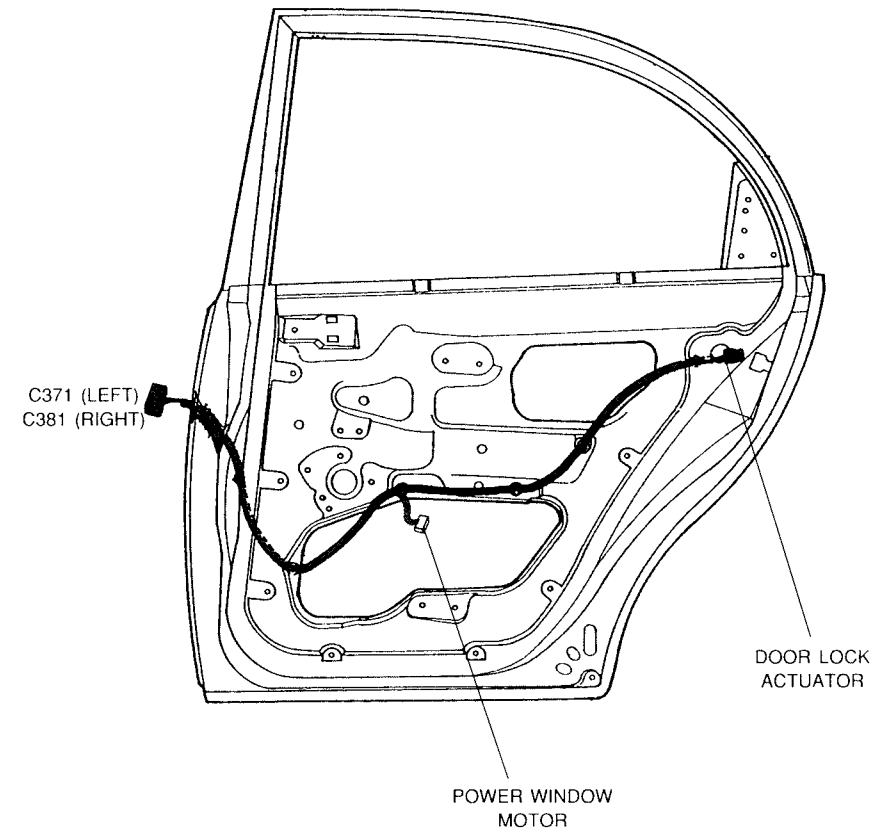
W/H FRONT DOOR LEFT



W/H FRONT DOOR RIGHT

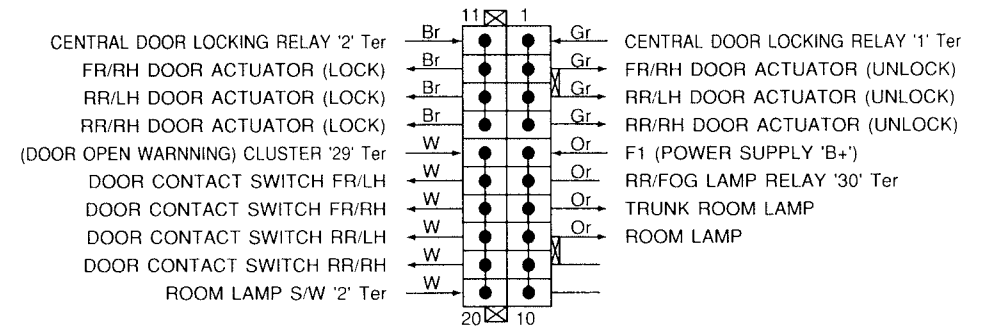


W/H REAR DOOR LEFT/RIGHT

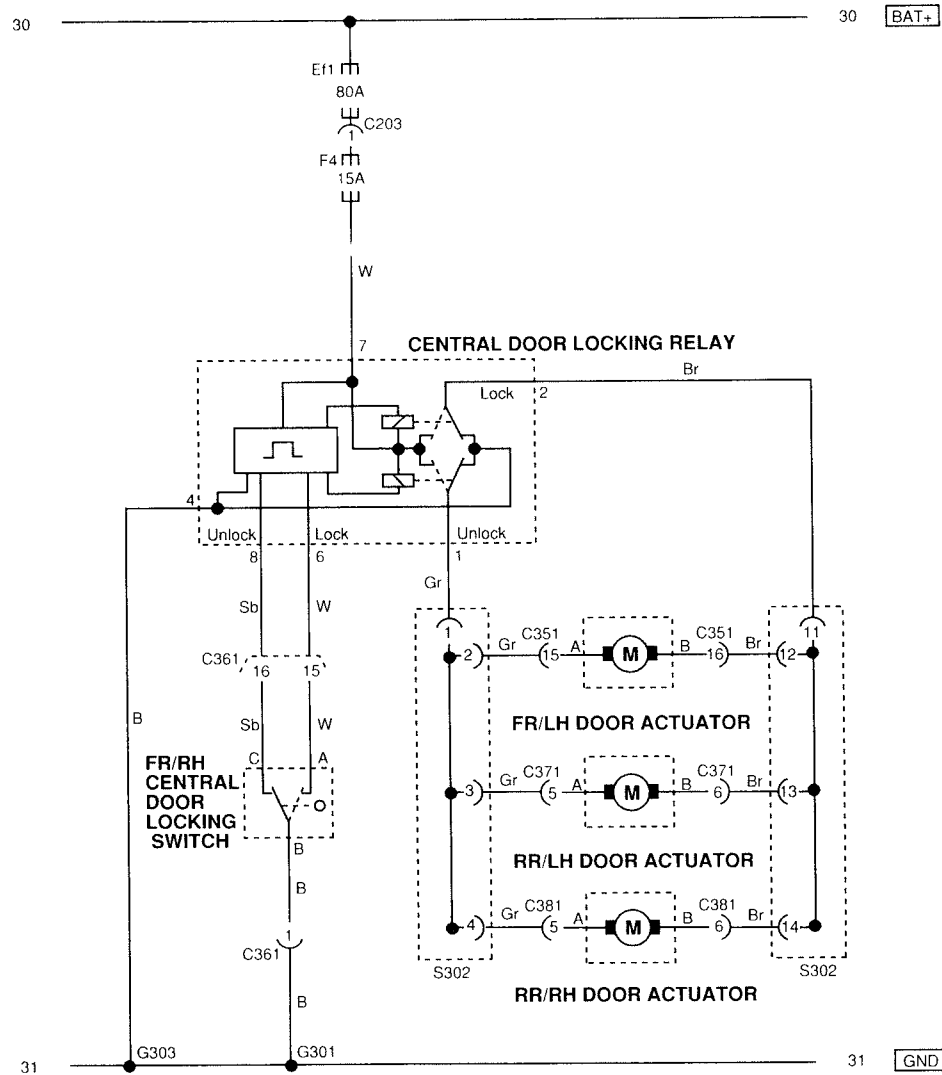


d. SPLICE PACK

S302(BLUE)



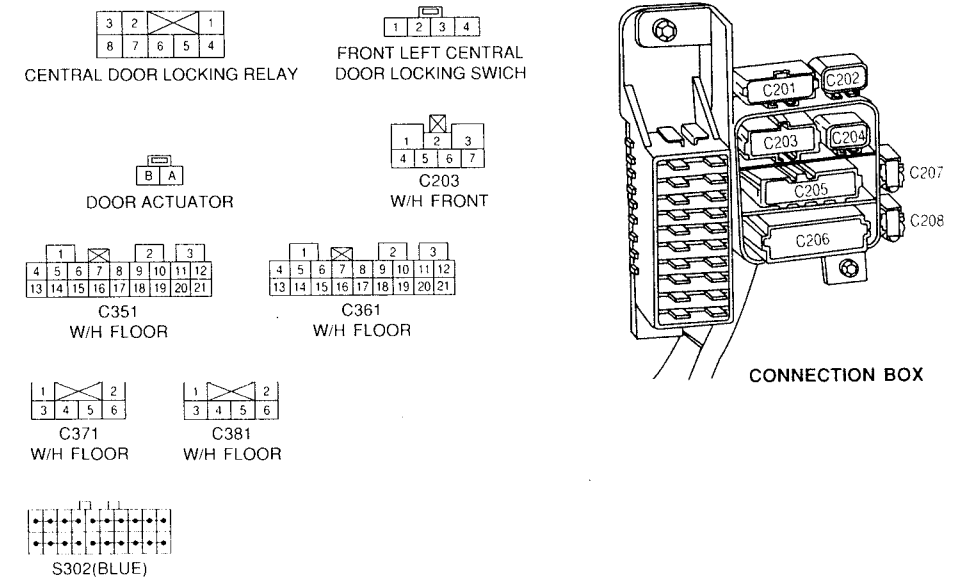
20-1. CENTRAL DOOR LOCKING CIRCUIT (NB – RHD)



a. CONNECTOR INFORMATION

CONNECTOR(NO) (PIN NO. COLOR)	CONNECTING. WIRING HARNESS	CONNECTOR POSITION
C203 (7PIN. BROWN)	W/H Front - Floor	Connection Box Next to Passenger Room Fuse Box
C351 (21PIN. WHITE)	W/H Floor - Front Left Door	Below Front Left Door Upper Hinge
C361 (21PIN. WHITE)	W/H Floor - Front Right Door	Below Front Right Door Upper Hinge
C371 (6PIN. COLORLESS)	W/H Floor - Rear Left Door	Inside Left Center Pillar
C381 (6PIN. COLORLESS)	W/H Floor - Rear Right Door	Inside Right Center Pillar
S302 (20PIN. BLUE)	Splice Pack	Below Driver Seat
G301	Ground	Below Driver Seat
G303	Ground	Below Co-Driver Seat

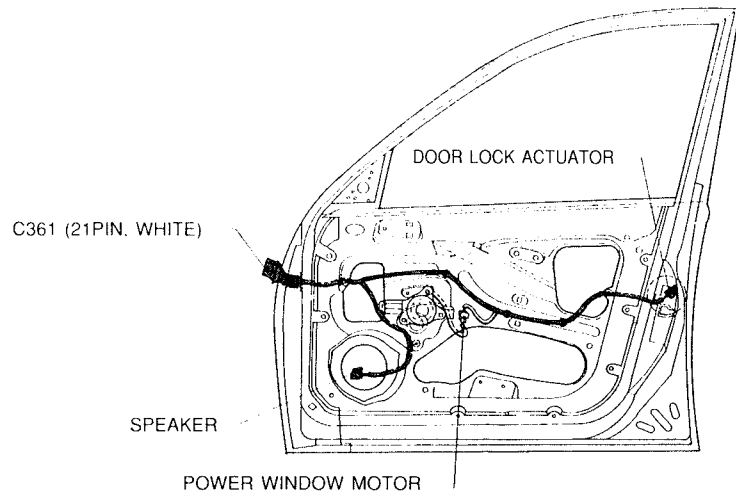
b. CONNECTOR IDENTIFICATION SYMBOL & PIN NUMBER POSITION



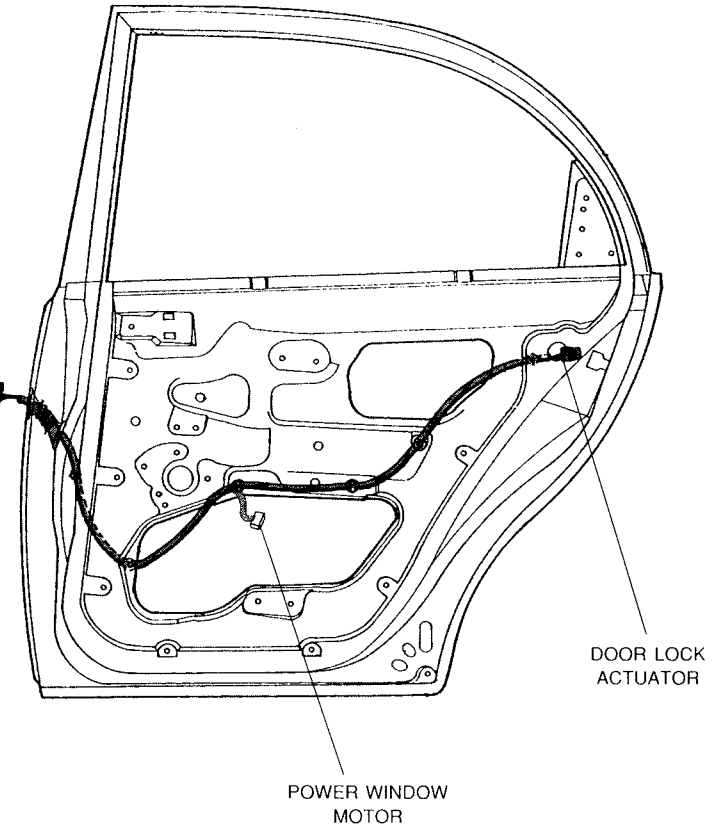
c. POSITION OF CONNECTORS AND GROUNDS

■ W/H REAR DOOR LEFT/RIGHT

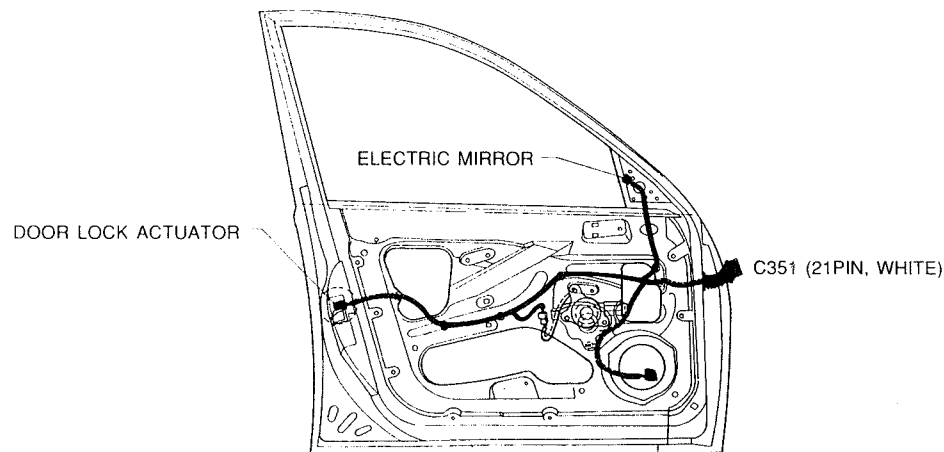
■ W/H FRONT DOOR RIGHT



C371 (LEFT)
C381 (RIGHT)

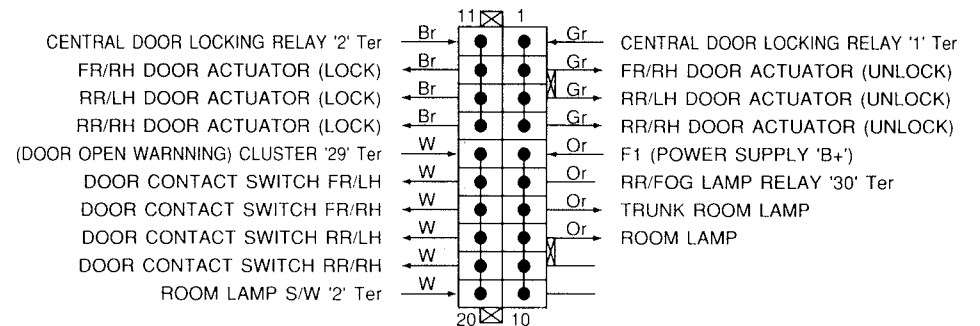


■ W/H FRONT DOOR LEFT

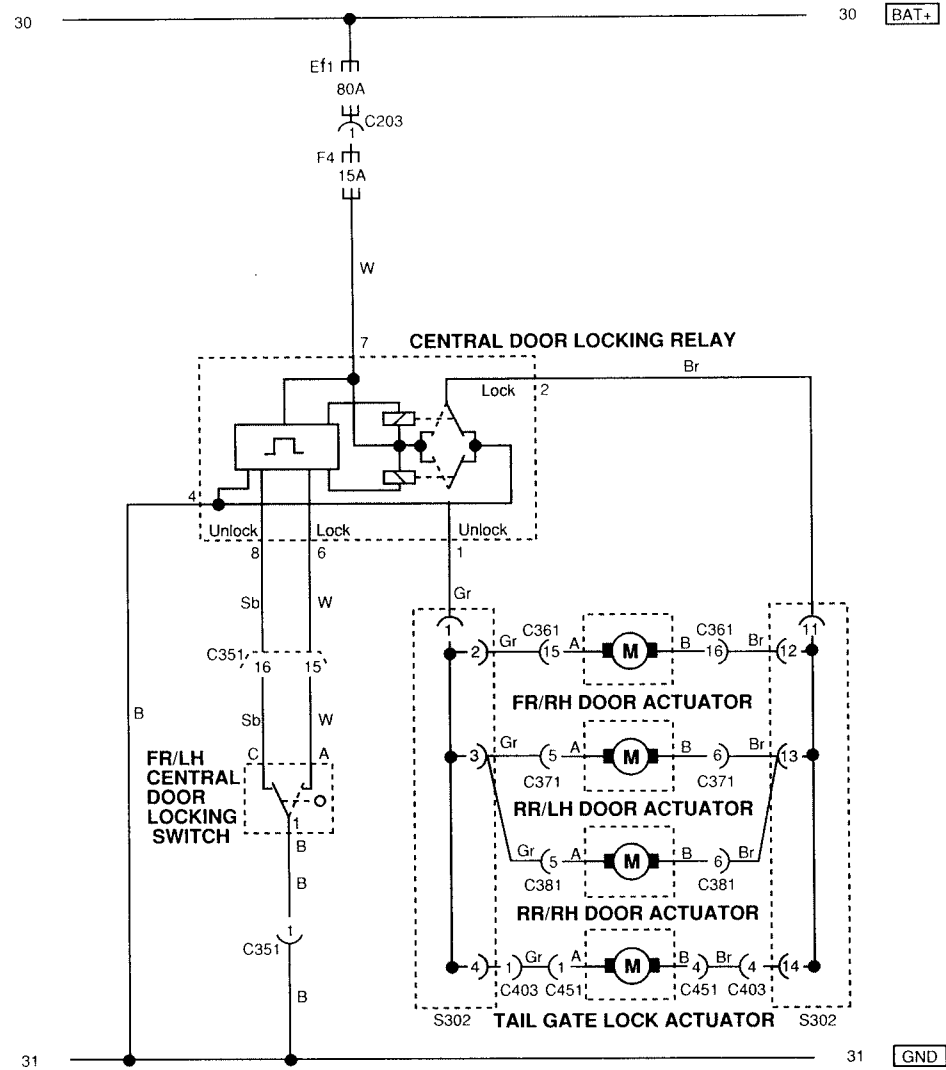


d. SPLICE PACK

S302(BLUE)



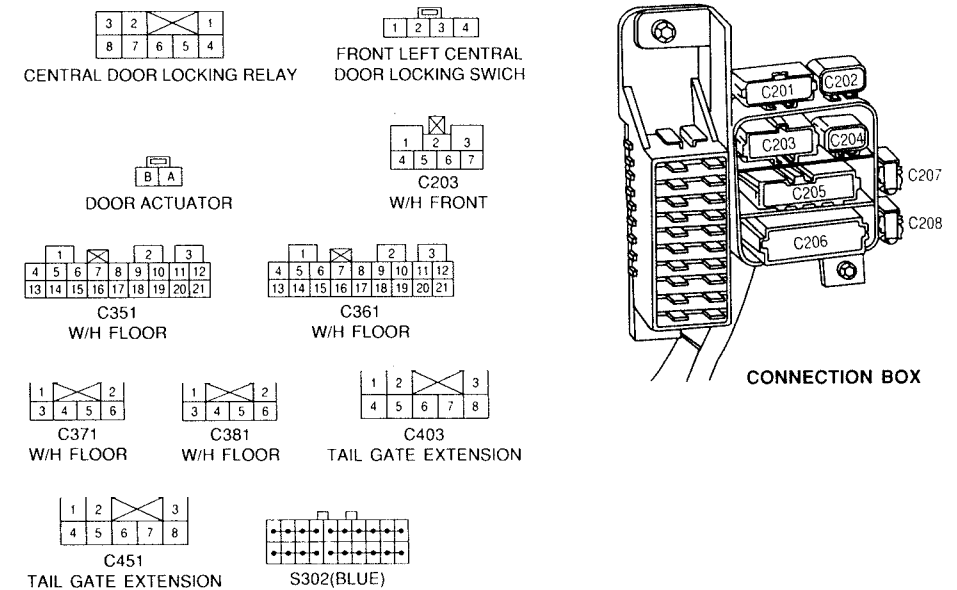
20-2. CENTRAL DOOR LOCKING CIRCUIT (HB 5 DOOR – LHD)



a. CONNECTOR INFORMATION

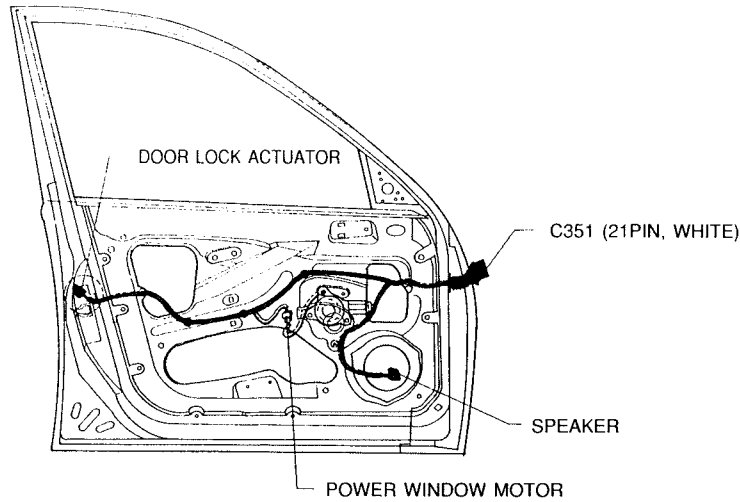
CONNECTOR(NO) (PIN NO. COLOR)	CONNECTING. WIRING HARNESS	CONNECTOR POSITION
C203 (7PIN. BROWN)	W/H Front - Floor	Connection Box Next to Passenger Room Fuse Box
C351 (21PIN. WHITE)	W/H Floor - Front Left Door	Below Front Left Door Upper Hinge
C361 (21PIN. WHITE)	W/H Floor - Front Right Door	Below Front Right Door Upper Hinge
C371 (6PIN. COLORLESS)	W/H Floor - Rear Left Door	InsideLeft Center Pillar
C381 (6PIN. COLORLESS)	W/H Floor - Rear Right Door	InsideRight Center Pillar
C403 (8PIN. WHITE)	W/H Floor -Tail Gate Extension	InsideTrunk
C451 (8PIN. WHITE)	W/H Tail Gate Extension -Tail Gate	InsideTail Gate
S302 (20PIN. BLUE)	Splice Pack	Below Driver Seat
G301	Ground	Below Driver Seat
G303	Ground	Below Co-Driver Seat

b. CONNECTOR IDENTIFICATION SYMBOL & PIN NUMBER POSITION

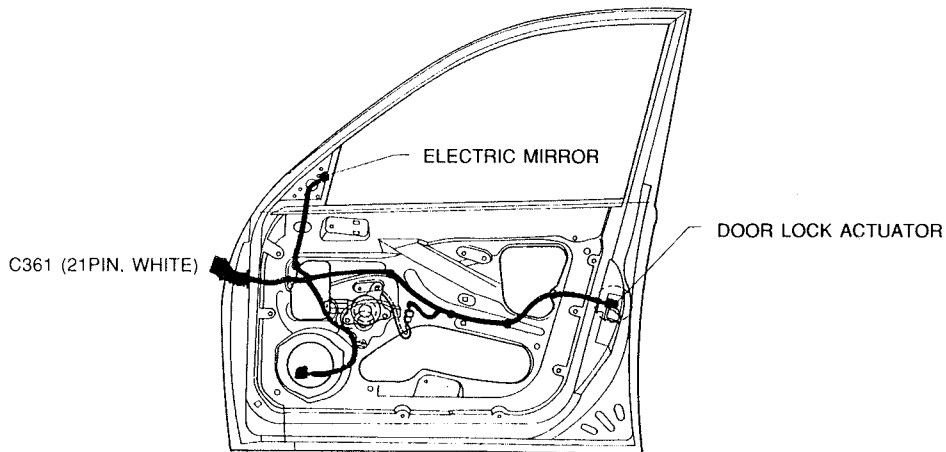


c. POSITION OF CONNECTORS AND GROUNDS

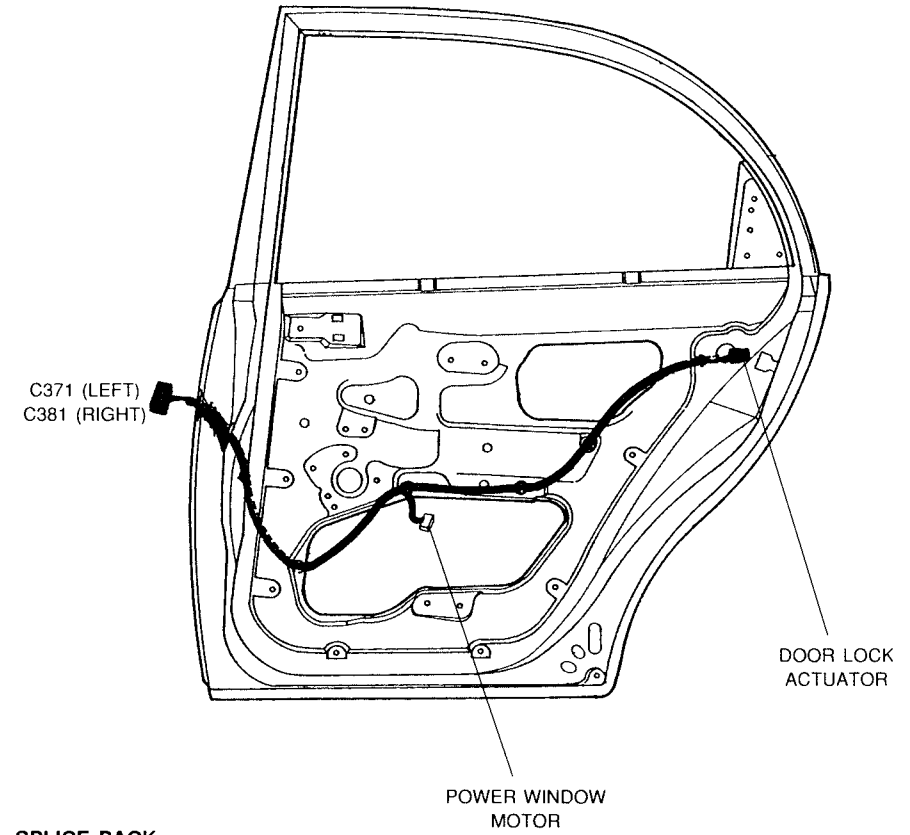
W/H FRONT DOOR LEFT



W/H FRONT DOOR RIGHT

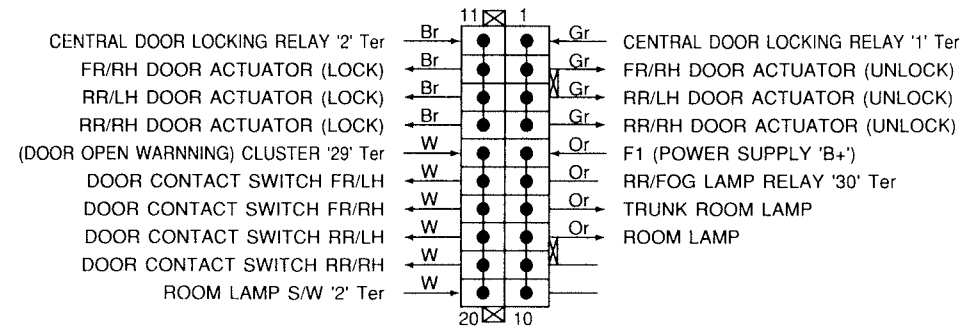


W/H REAR DOOR LEFT/RIGHT

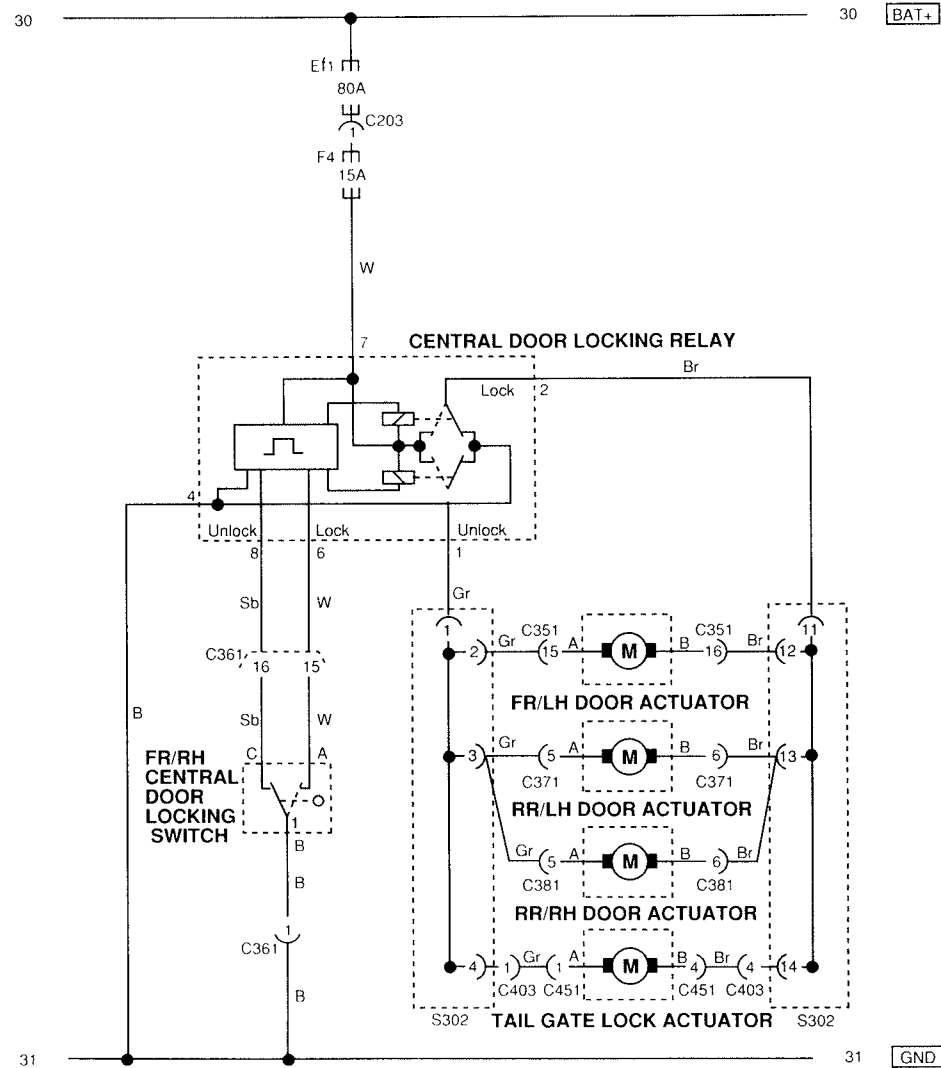


d. SPLICE PACK

S302(BLUE)



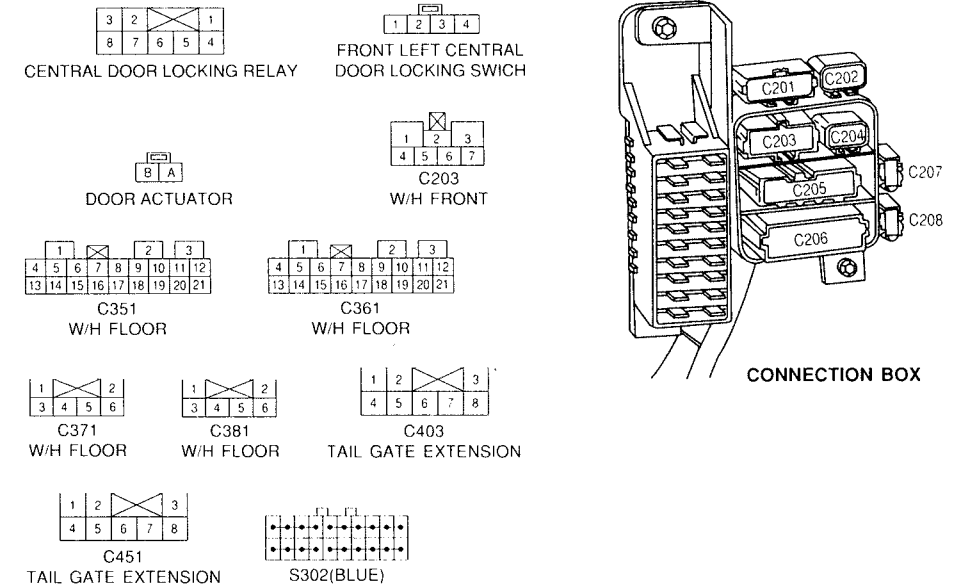
20-3. CENTRAL DOOR LOCKING CIRCUIT(HB 5 DOOR – RHD)



a. CONNECTOR INFORMATION

CONNECTOR(NO) (PIN NO. COLOR)	CONNECTING. WIRING HARNESS	CONNECTOR POSITION
C203 (7PIN. BROWN)	W/H Front - Floor	Connection Box Next to Passenger Room Fuse Box
C351 (21PIN. WHITE)	W/H Floor - Front Left Door	Below Front Left Door Upper Hinge
C361 (21PIN. WHITE)	W/H Floor - Front Right Door	Below Front Right Door Upper Hinge
C371 (6PIN. COLORLESS)	W/H Floor - Rear Left Door	InsideLeft Center Pillar
C381 (6PIN. COLORLESS)	W/H Floor - Rear Right Door	InsideRight Center Pillar
C403 (8PIN. WHITE)	W/H Floor -Tail Gate Extension	InsideTrunk
C451 (8PIN. WHITE)	W/H Tail Gate Extension -Tail Gate	InsideTail Gate
S302 (20PIN. BLUE)	Splice Pack	Below Driver Seat
G301	Ground	Below Driver Seat
G303	Ground	Below Co-Driver Seat

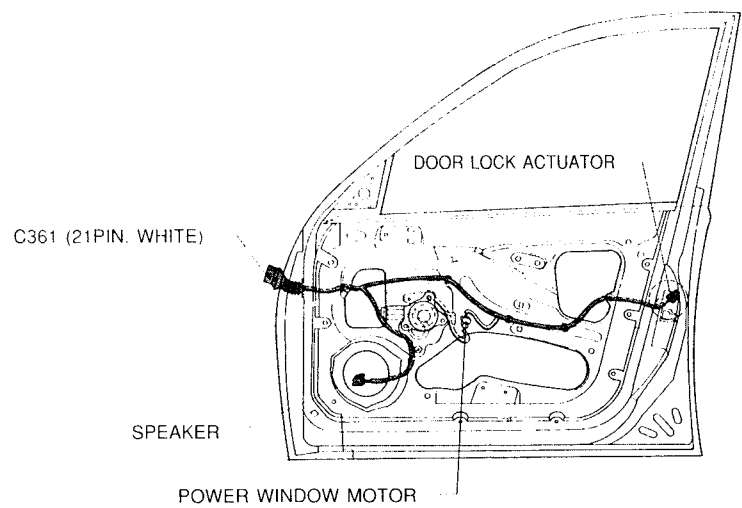
b. CONNECTOR IDENTIFICATION SYMBOL & PIN NUMBER POSITION



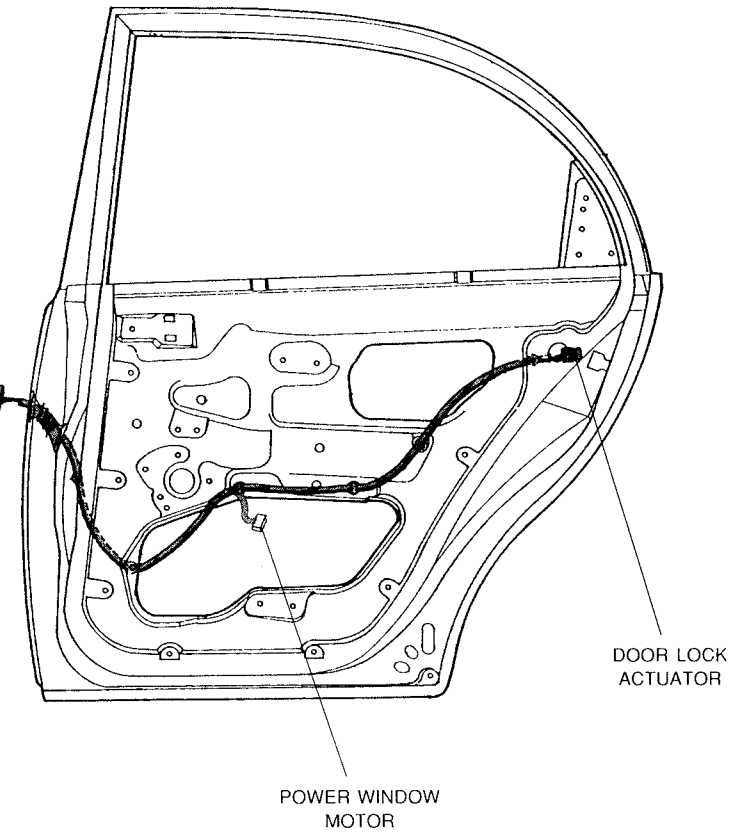
c. POSITION OF CONNECTORS AND GROUNDS

■ W/H REAR DOOR LEFT/RIGHT

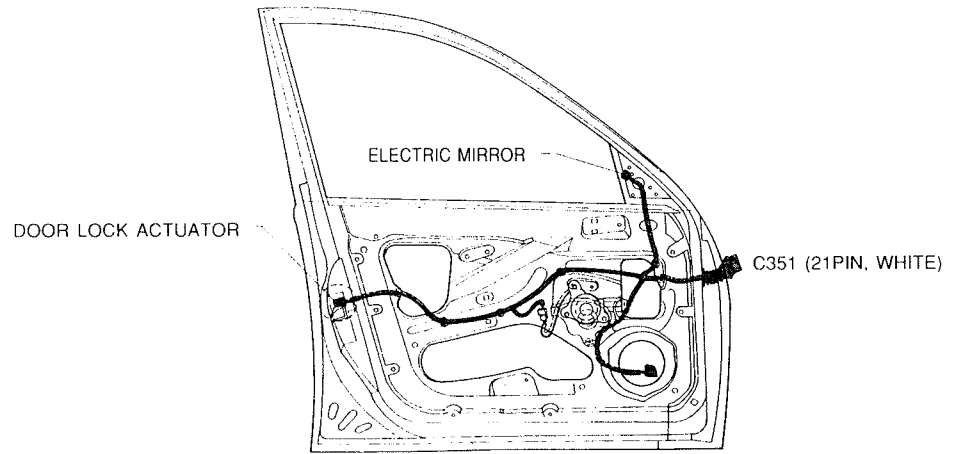
■ W/H FRONT DOOR RIGHT



C371 (LEFT)
C381 (RIGHT)

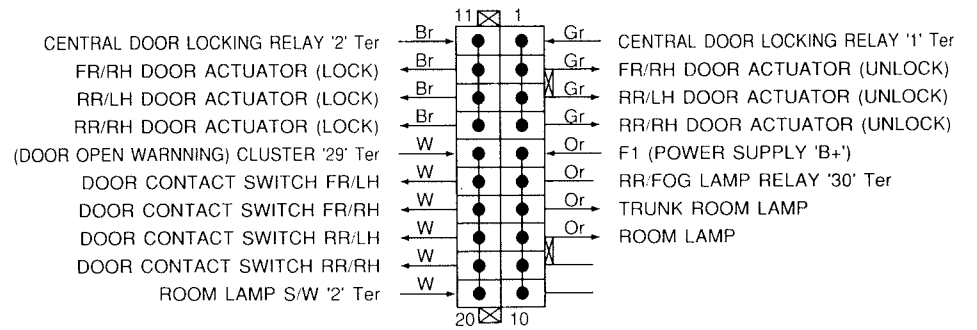


■ W/H FRONT DOOR LEFT

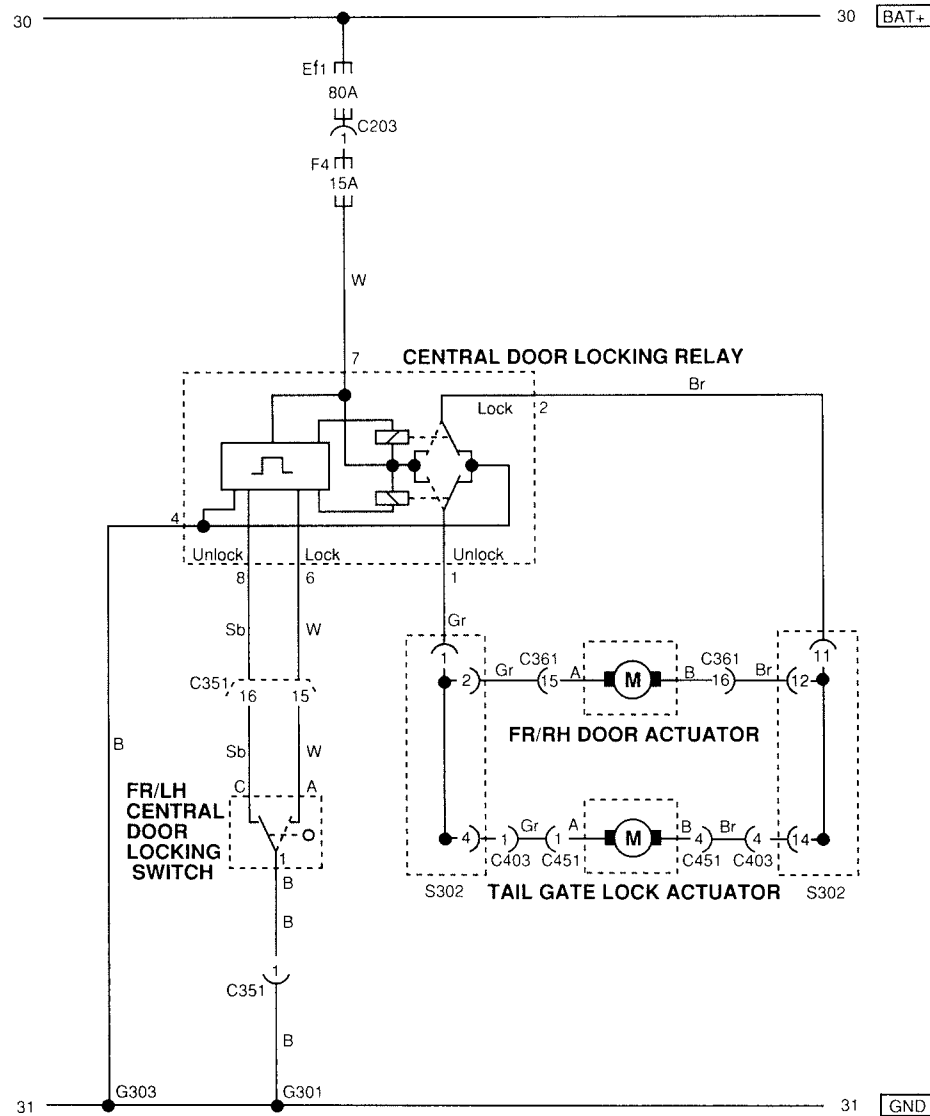


d. SPLICE PACK

S302(BLUE)



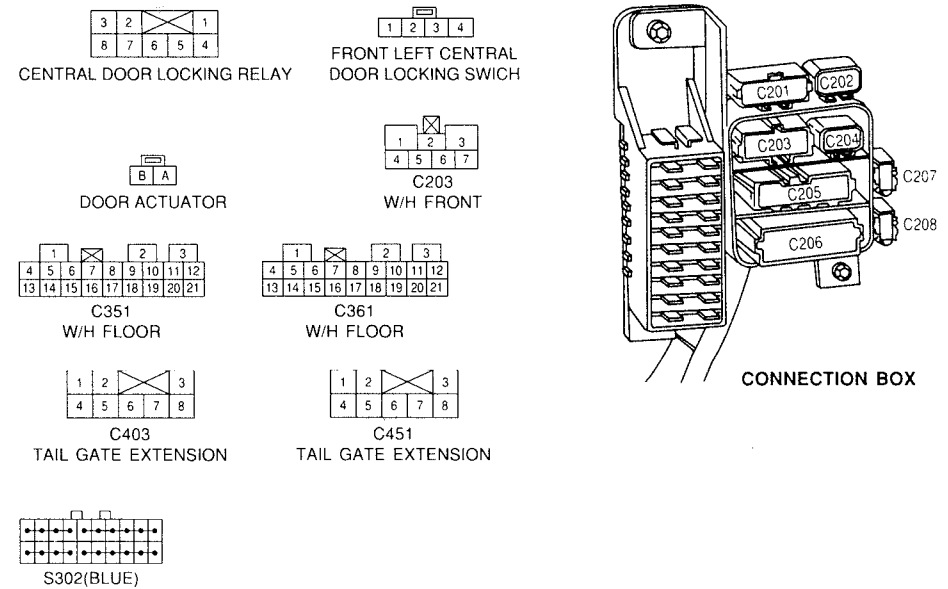
20-4. CENTRAL DOOR LOCKING CIRCUIT(HB 3 DOOR – LHD)



a. CONNECTOR INFORMATION

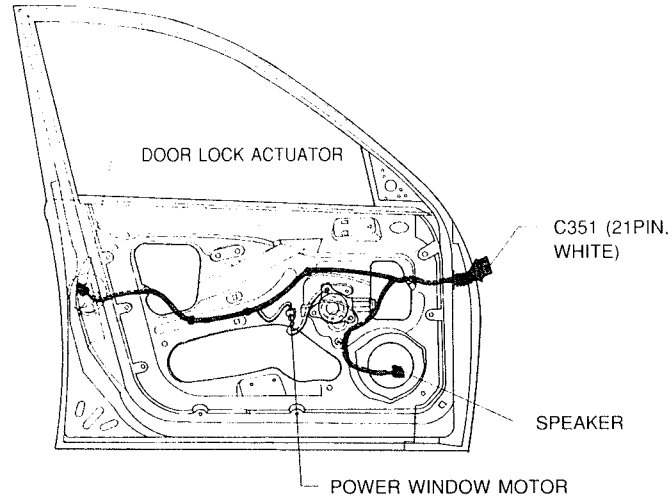
CONNECTOR(NO) (PIN NO. COLOR)	CONNECTING. WIRING HARNESS	CONNECTOR POSITION
C203 (7PIN. BROWN)	W/H Front - Floor	Connection Box Next to Passenger Room Fuse Box
C351 (21PIN. WHITE)	W/H Floor - Front Left Door	Below Front Left Door Upper Hinge
C361 (21PIN. WHITE)	W/H Floor - Front Right Door	Below Front Right Door Upper Hinge
C403 (8PIN. WHITE)	W/H Floor-tail gate extension	Inside Trunk
C451 (8PIN. WHITE)	W/H Tail Gate Extension-tail Gate	Inside Tail Gate
S302 (20PIN. BLUE)	Splice Pack	Below Driver Seat
G301	Ground	Below Driver Seat
G303	Ground	Below Co-Driver Seat

b. CONNECTOR IDENTIFICATION SYMBOL & PIN NUMBER POSITION

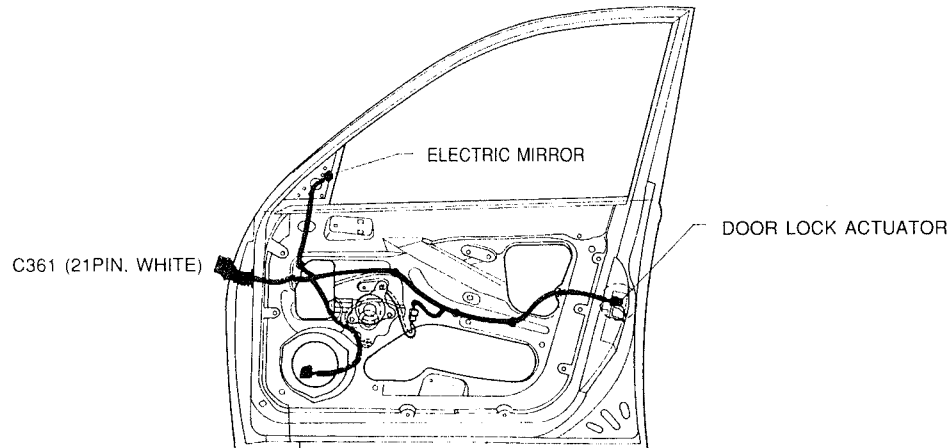


c. POSITION OF CONNECTORS AND GROUNDS

W/H FRONT DOOR LEFT

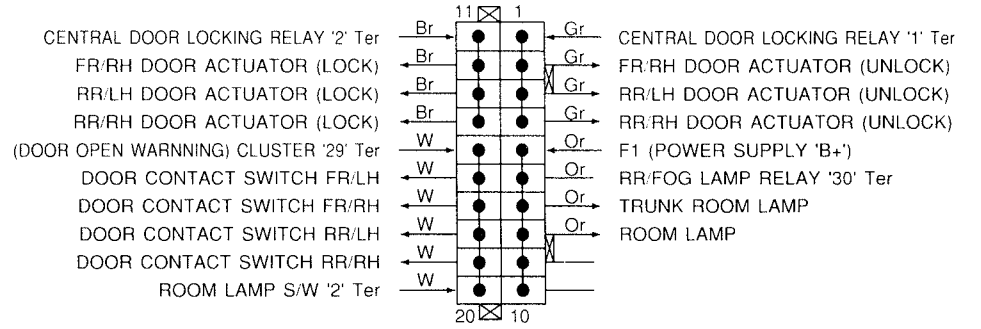


W/H FRONT DOOR RIGHT

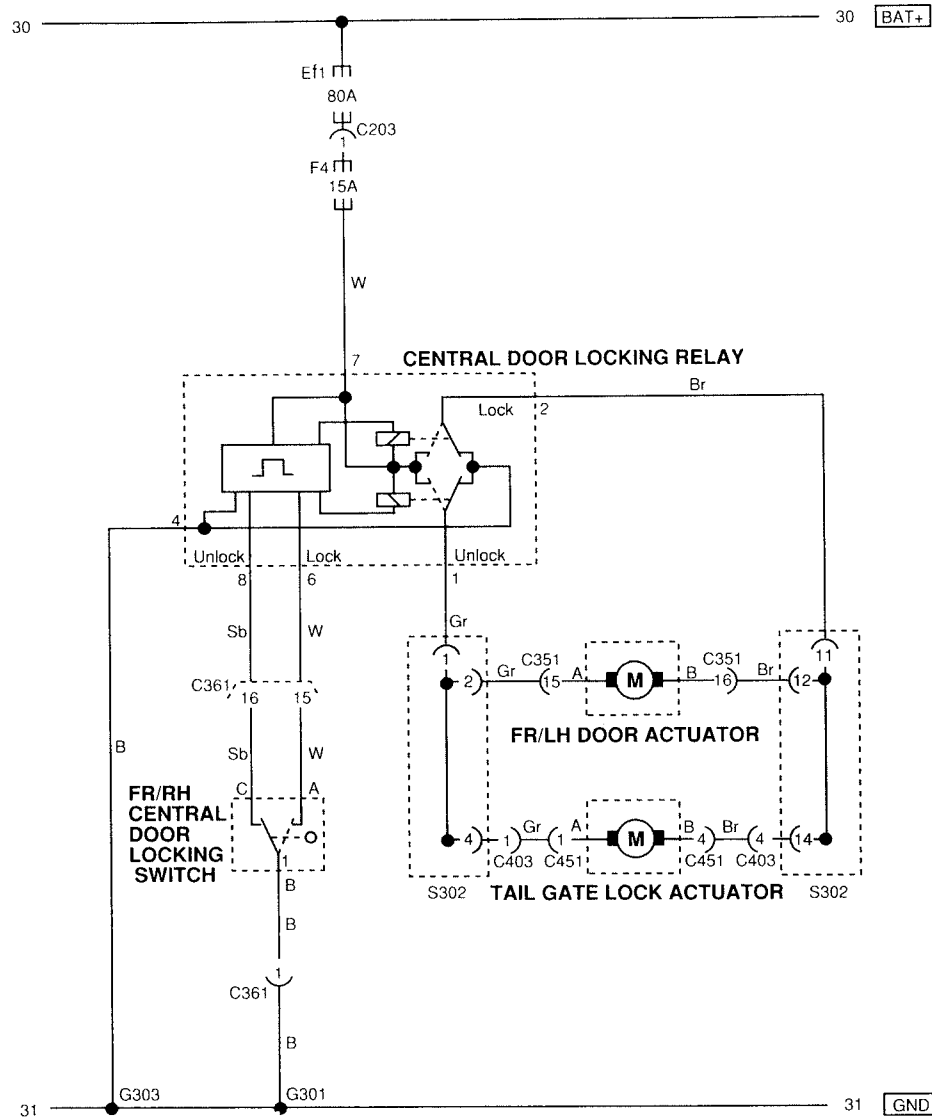


d. SPLICE PACK

S302(BLUE)



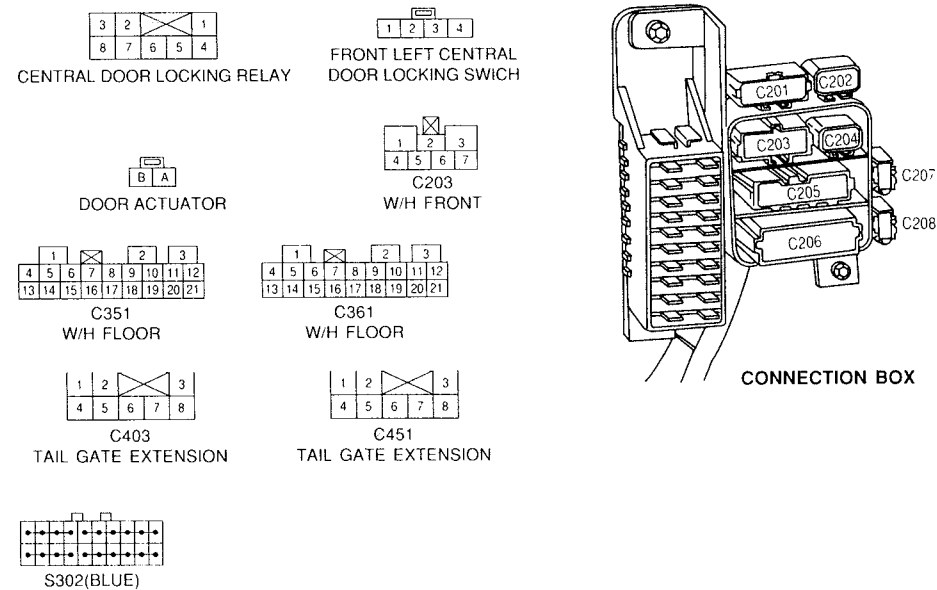
20-5. CENTRAL DOOR LOCKING CIRCUIT(HB 3 DOOR – RHD)



a. CONNECTOR INFORMATION

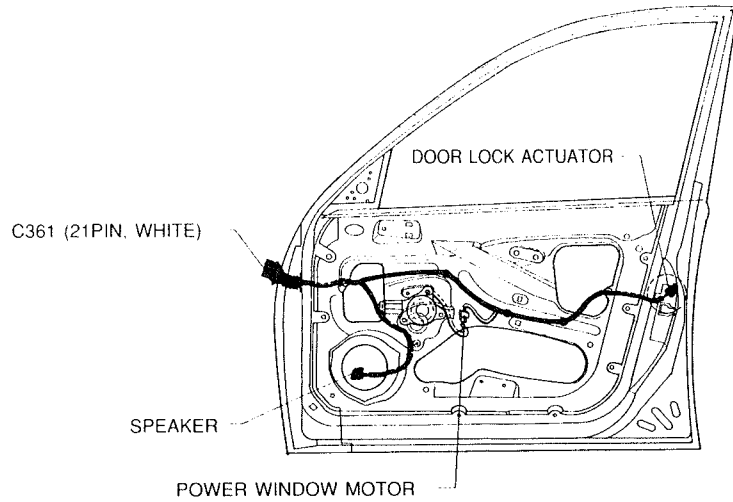
CONNECTOR(NO) (PIN NO. COLOR)	CONNECTING. WIRING HARNESS	CONNECTOR POSITION
C203 (7PIN. BROWN)	W/H Front - Floor	Connection Box Next to Passenger Room Fuse Box
C351 (21PIN. WHITE)	W/H Floor - Front Left Door	Below Front Left Door Upper Hinge
C361 (21PIN. WHITE)	W/H Floor - Front Right Door	Below Front Right Door Upper Hinge
C403 (8PIN. WHITE)	W/H Floor-tail gate extension	Inside Trunk
C451 (8PIN. WHITE)	W/H Tail Gate Extension-tail Gate	Inside Tail Gate
S302 (20PIN. BLUE)	Splice Pack	Below Driver Seat
G301	Ground	Below Driver Seat
G303	Ground	Below Co-Driver Seat

b. CONNECTOR IDENTIFICATION SYMBOL & PIN NUMBER POSITION

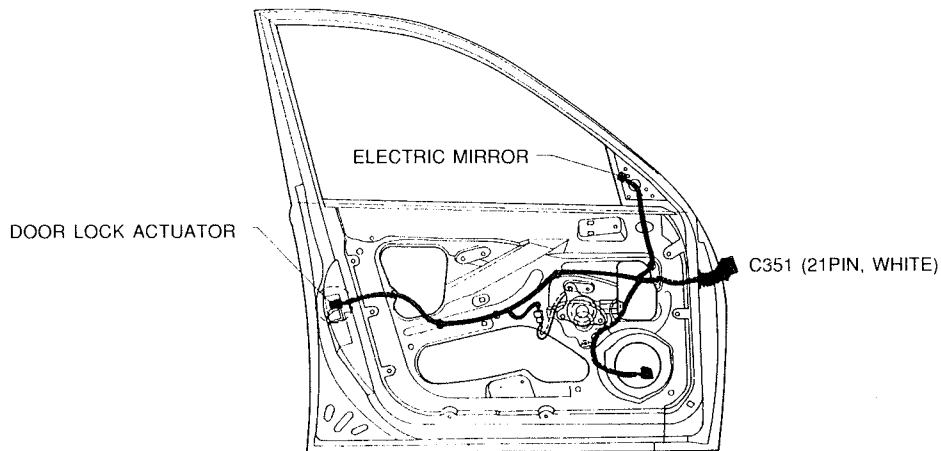


c. POSITION OF CONNECTORS AND GROUNDS

W/H FRONT DOOR RIGHT

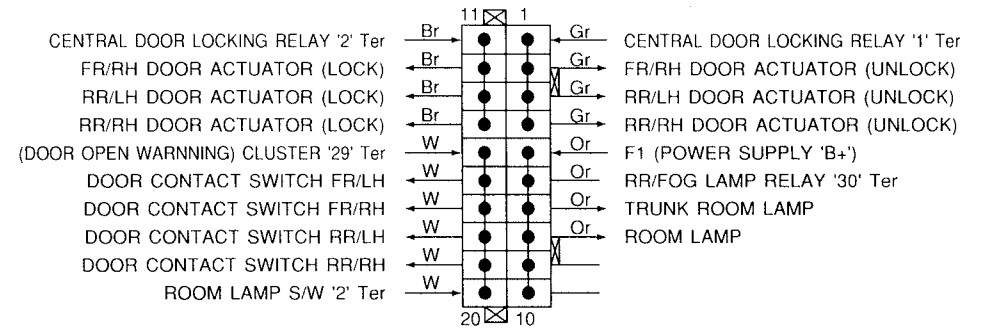


W/H FRONT DOOR LEFT



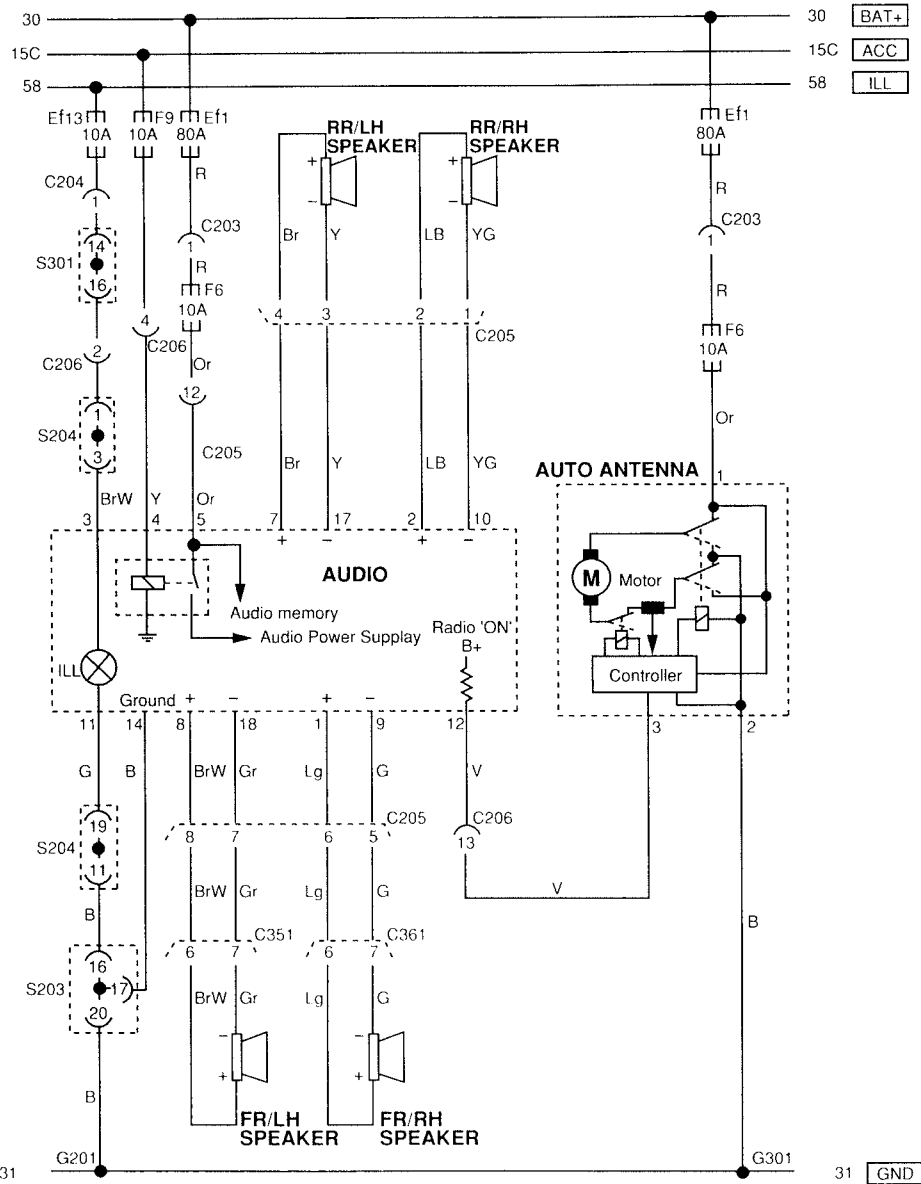
d. SPLICE PACK

S302(BLUE)



21. AUDIO (NB)

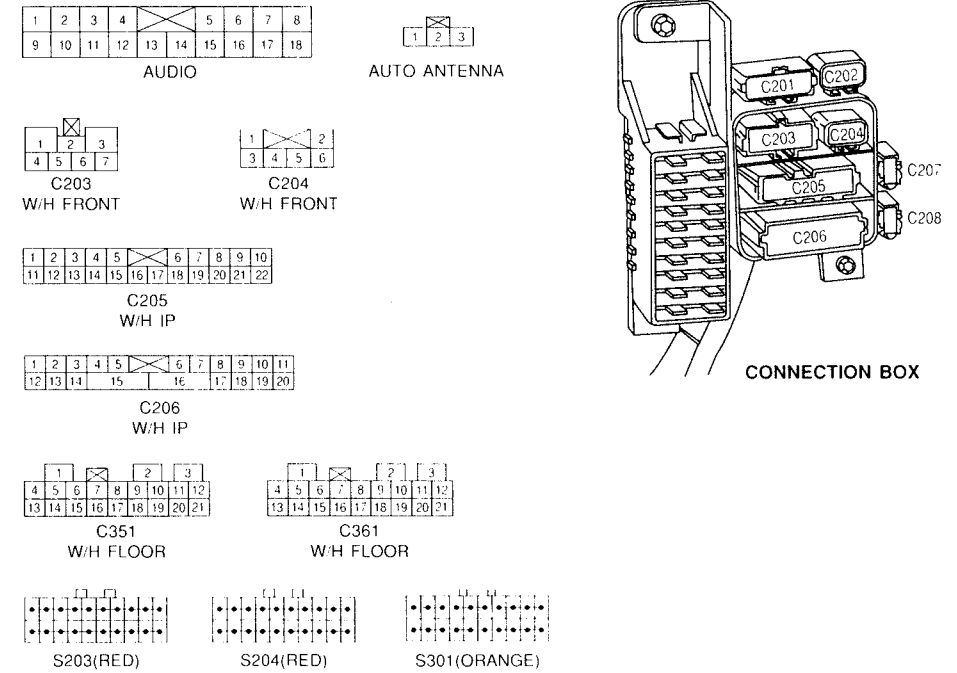
1) AUDIO. AUTO ANTENNA CIRCUIT



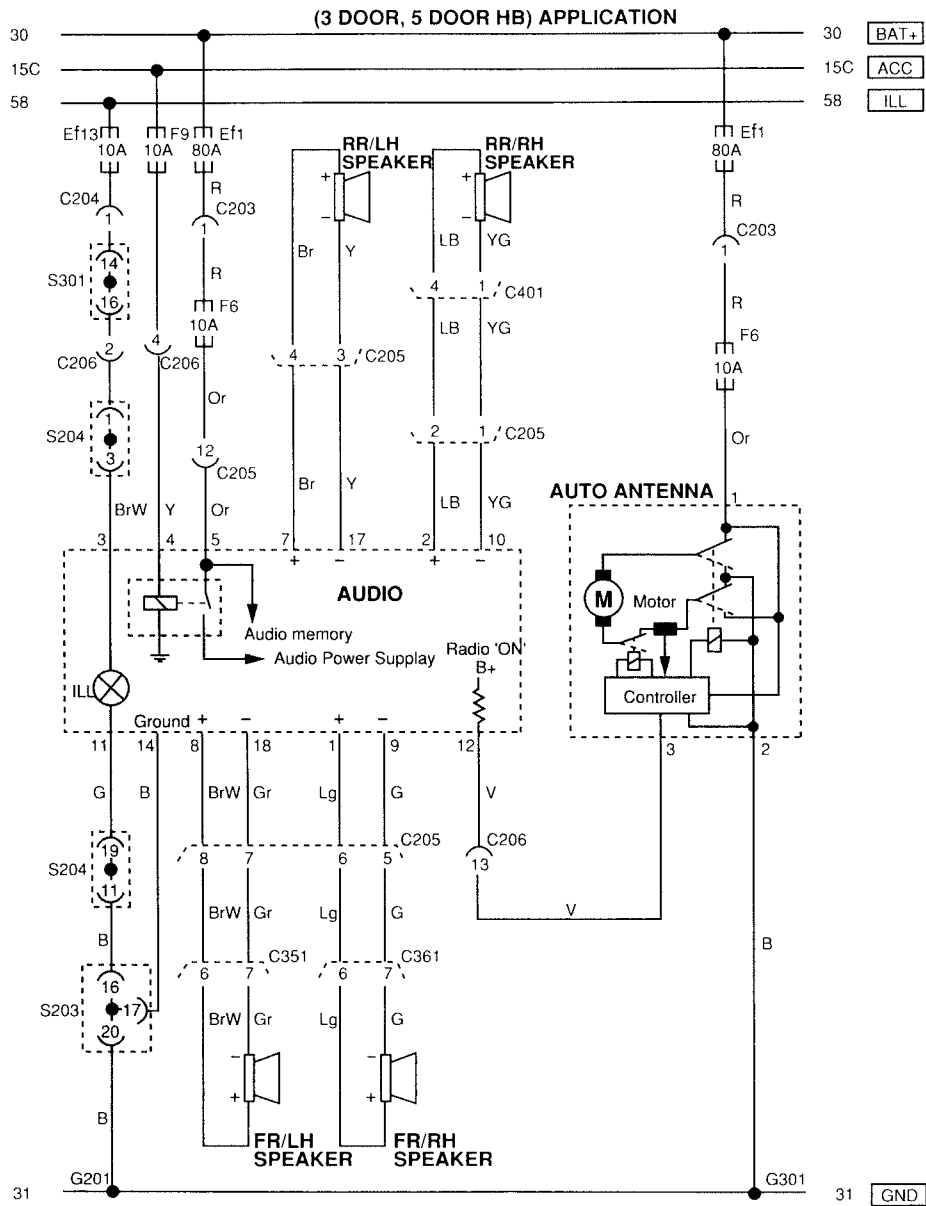
a. CONNECTOR INFORMATION

CONNECTOR(NO) (PIN NO. COLOR)	CONNECTING. WIRING HARNESS	CONNECTOR POSITION
C203 (7PIN. BROWN)	W/H Front - Floor	Connection Box next to PassengerRoom Fuse Box
C204 (6PIN. WHITE)	W/H Front - Floor	Connection Box Next to PassengerRoom Fuse Box
C205 (22PIN. YELLOW)	W/H Floor - IP	Connection Box Next to Passenger Room Fuse Box
C206 (20PIN. COLORLESS)	W/H Floor - IP	Connection Box Next to Passenger Room Fuse Box
C351 (21PIN. WHITE)	W/H Floor - Front Left Door	Below Front Left Door Upper Hinge
C361 (21PIN. WHITE)	W/H Floor - Front Right Door	Below Front Right Door Upper Hinge
S203 (20PIN. RED)	Splice Pack	Next to Passenger Room Relay Box
S204 (20PIN. RED)	Splice Pack	Above Glove Box
S301 (20PIN. ORANGE)	Splice Pack	Below Driver Seat
G201	Ground	Below Right Front Console Box
G301	Ground	Below Driver Seat

b. CONNECTOR IDENTIFICATION SYMBOL & PIN NUMBER POSITION



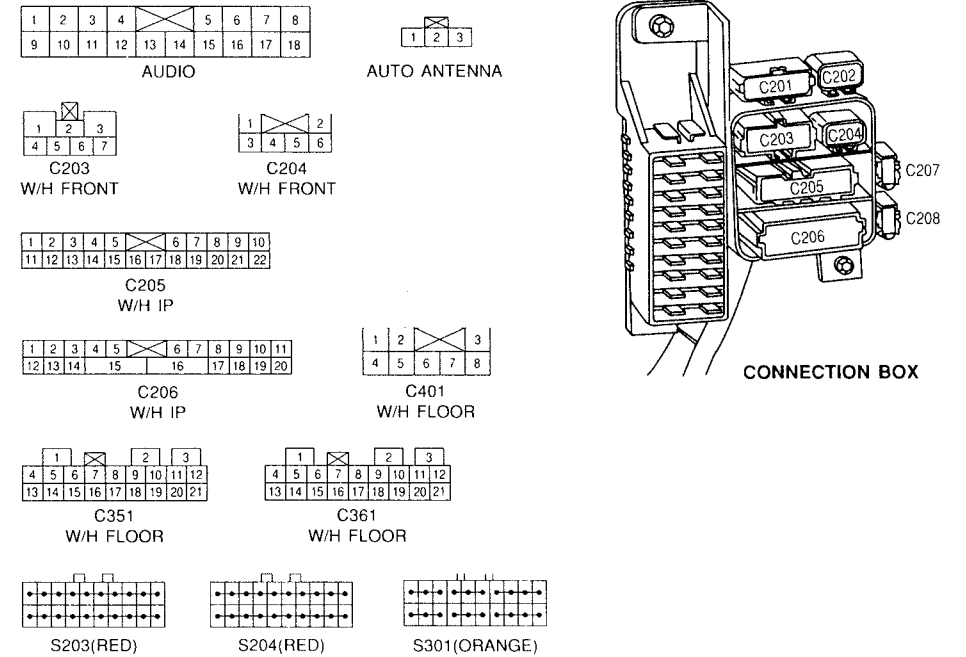
2) AUDIO. AUTO ANTENNA CIRCUIT (HB)



a. CONNECTOR INFORMATION

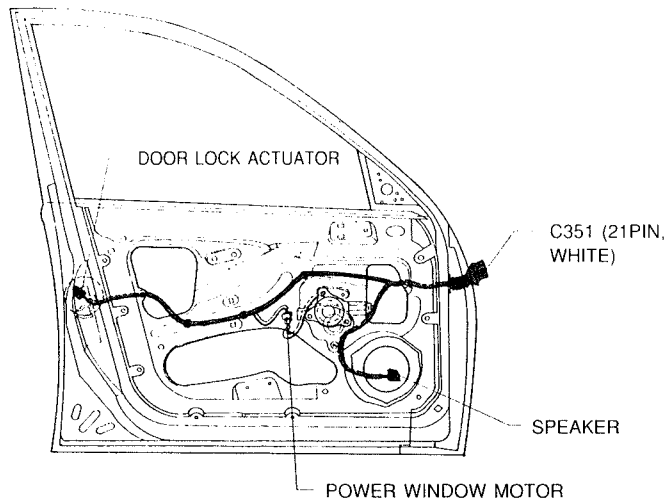
CONNECTOR(NO) (PIN NO. COLOR)	CONNECTING. WIRING HARNESS	CONNECTOR POSITION
C203 (7PIN. BROWN)	W/H Front - Floor	Connection Box Next to Passenger Room Fuse Box
C204 (6PIN. WHITE)	W/H Front - Floor	Connection Box Next to Passenger Room Fuse Box
C205 (22PIN. YELLOW)	W/H Floor - IP	Connection Box Next to Passenger Room Fuse Box
C206 (20PIN. COLORLESS)	W/H Floor - IP	Connection Box Next to Passenger Room Fuse Box
C351 (21PIN. WHITE)	W/H Floor - Front Left Door	Below Front Left Door Upper Hinge
C361 (21PIN. WHITE)	W/H Floor - Front Right Door	Below Front Right Door Upper Hinge
C401 (8PIN. WHITE)	W/H Floor - Trunk	Abdve Left Seat Beit Retractor In Trunk
S203 (20PIN. RED)	Splice Pack	Next to Passenger Room Relay Box
S204 (20PIN. RED)	Splice Pack	Above Glove Box
S301 (20PIN. ORANGE)	Splice Pack	Below Driver Seat
G201	Ground	Below Right Front Console Box
G301	Ground	Below Driver Seat

b. CONNECTOR IDENTIFICATION SYMBOL & PIN NUMBER POSITION

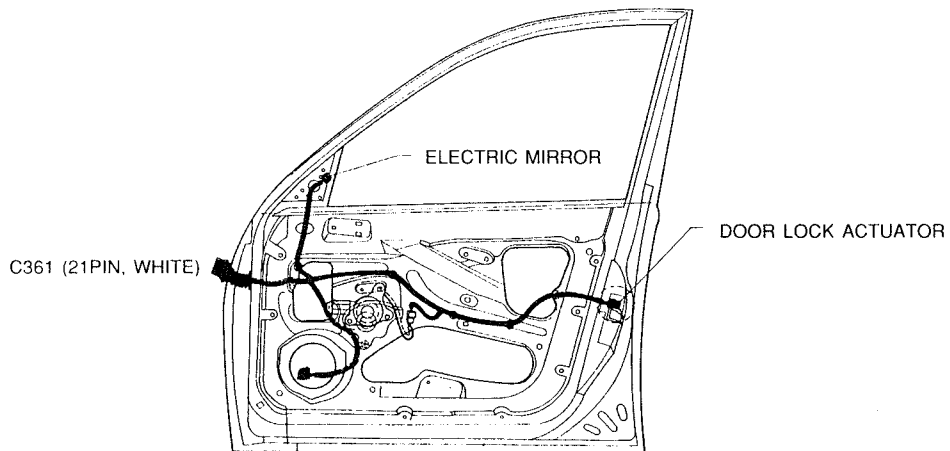


c. POSITION OF CONNECTORS AND GROUNDS

W/H FRONT DOOR LEFT

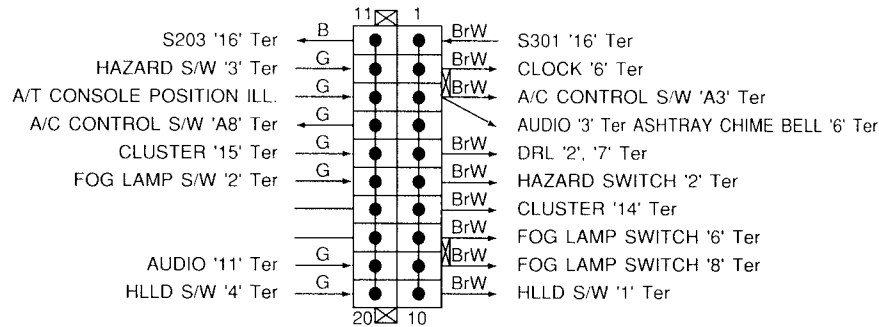


W/H FRONT DOOR RIGHT

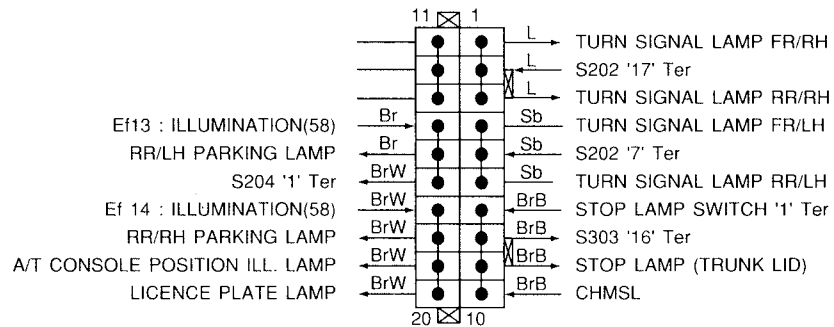


d. SPLICE PACK

S204(RED)

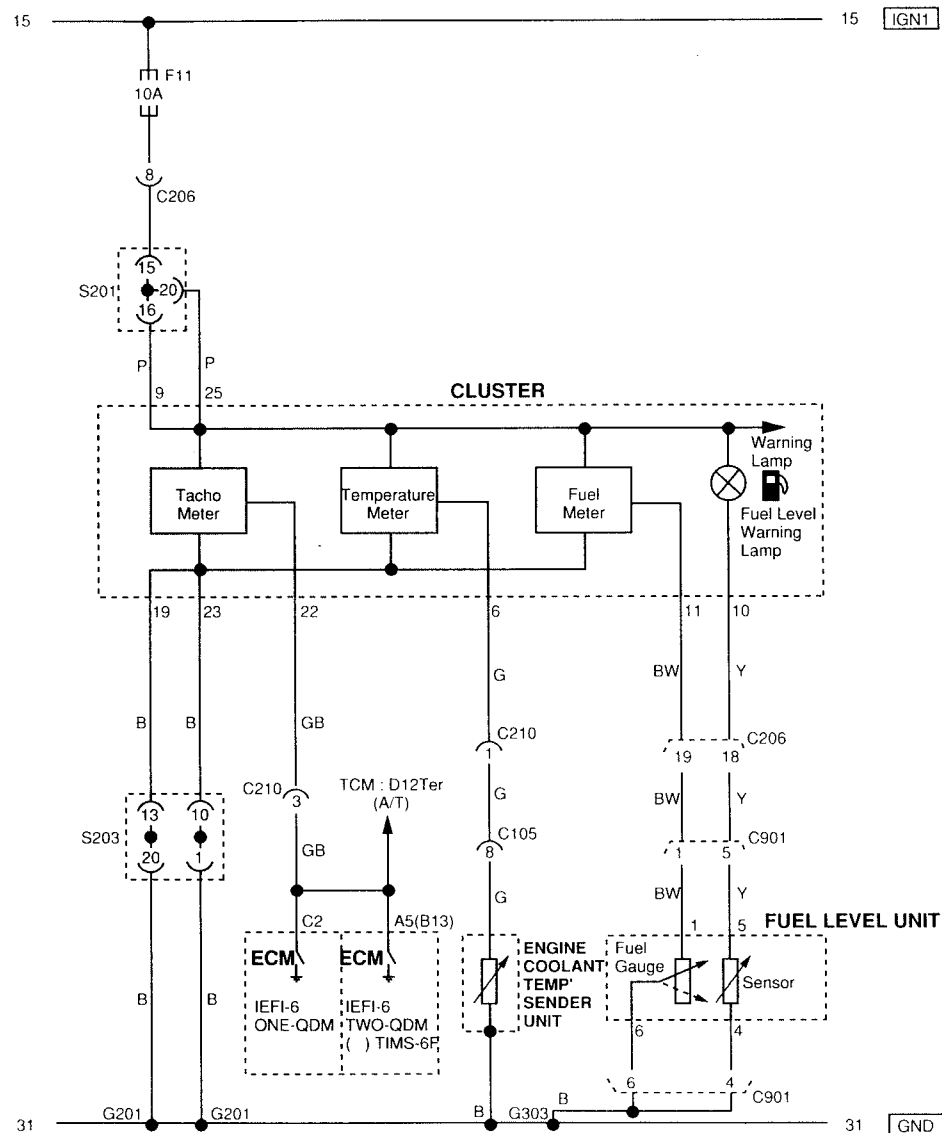


S301(ORANGE)



22. CLUSTER

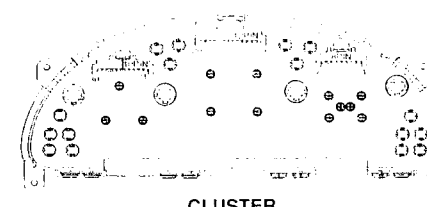
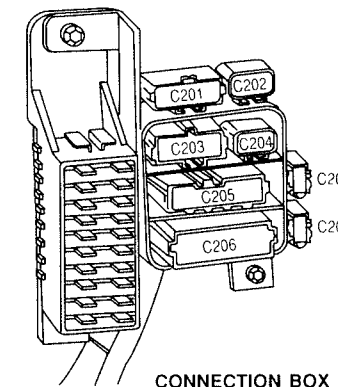
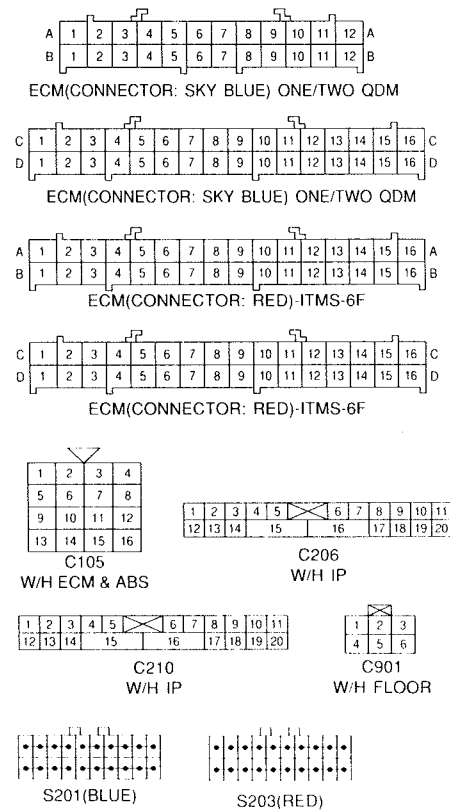
1) TACHOMETER. TEMPERATURE UNIT. FUEL METER. CIRCUIT



a. CONNECTOR INFORMATION

CONNECTOR(No) (PIN NO. COLOR)	CONNECTING. WIRING HARNESS	CONNECTOR POSITION
C105 (16PIN. BLACK)	W/H ECM & ABS - Engine Control	Behind Right Strut Mounting
C206 (20PIN. COLORLESS)	W/H Floor - IP	Connection Box Next to Passenger Room Fuse Box
C210 (20PIN. COLORLESS)	W/H ECM & ABS - IP	Below Glovs Box (Right Side Panel)
C901 (6PIN. BLACK)	W/H Floor - Fuel Tank	Behind Fuel Tank
S201 (20PIN. BLUE)	Splice Pack	Next to Passenger Room Relay Box
S202 (20PIN. RED)	Splice Pack	Next to Passenger Room Relay Box
G201	Ground	Below Right Front Console Box
G303	Ground	Below Co-Driver Seat

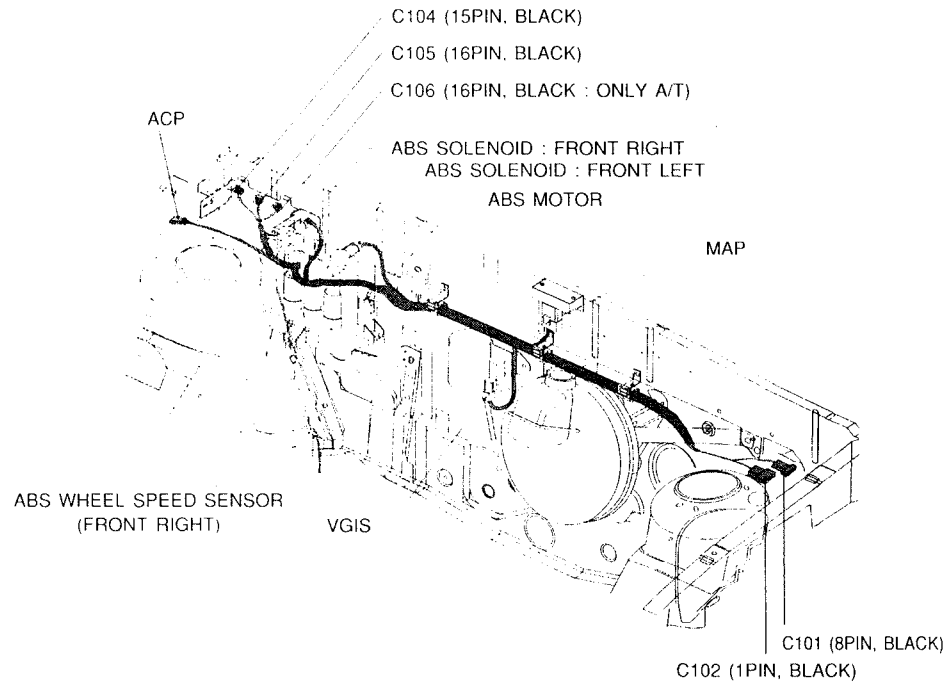
b. CONNECTOR IDENTIFICATION SYMBOL & PIN NUMBER POSITION



c. POSITION OF CONNECTORS AND GROUNDS

W/H ECM & ABS

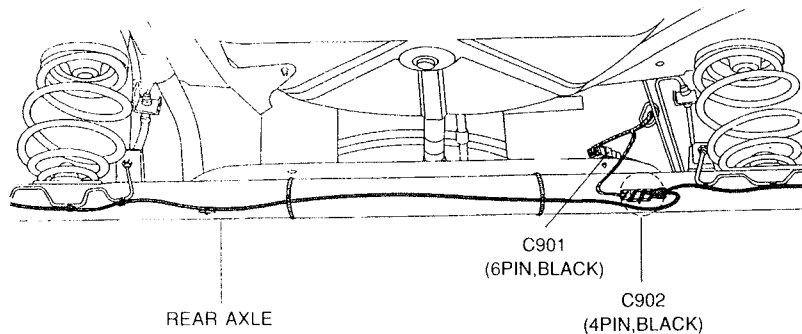
ENGINE ROOM INSIDE



W/H FLOOR

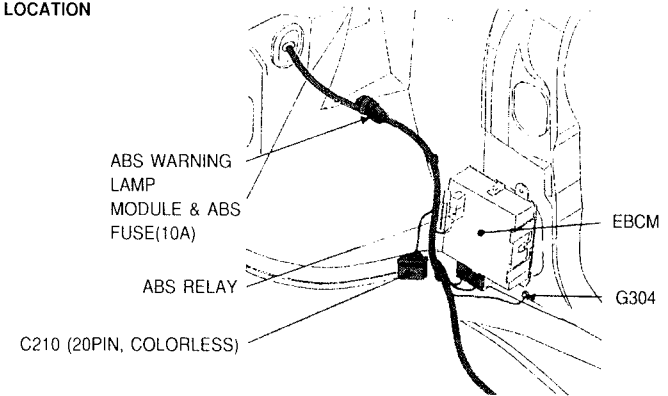
W/H REAR ABS SENSOR

UNDER BODY



W/H ECM & ABS

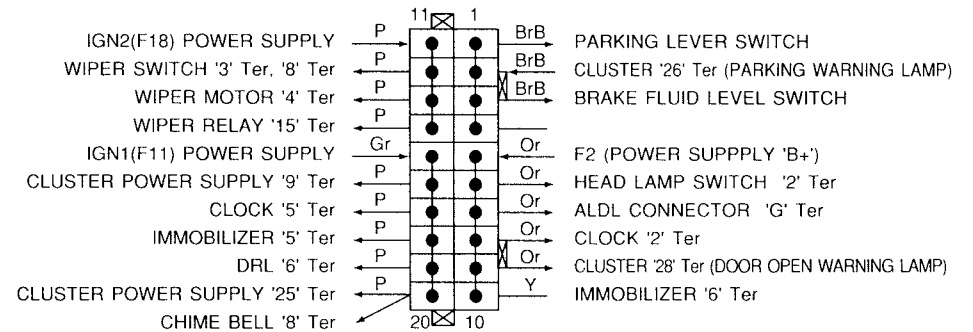
"A" LOCATION



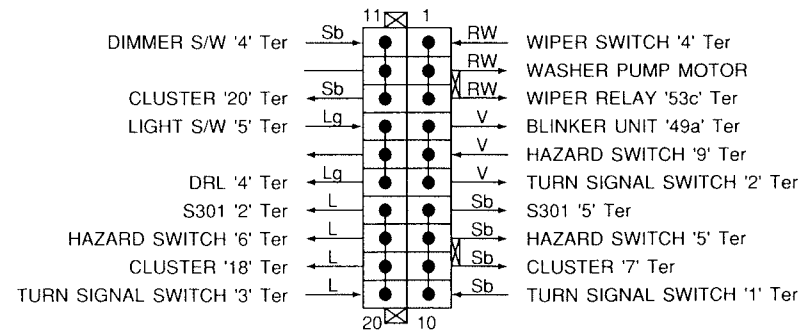
(LHD)

d. SPLICE PACK

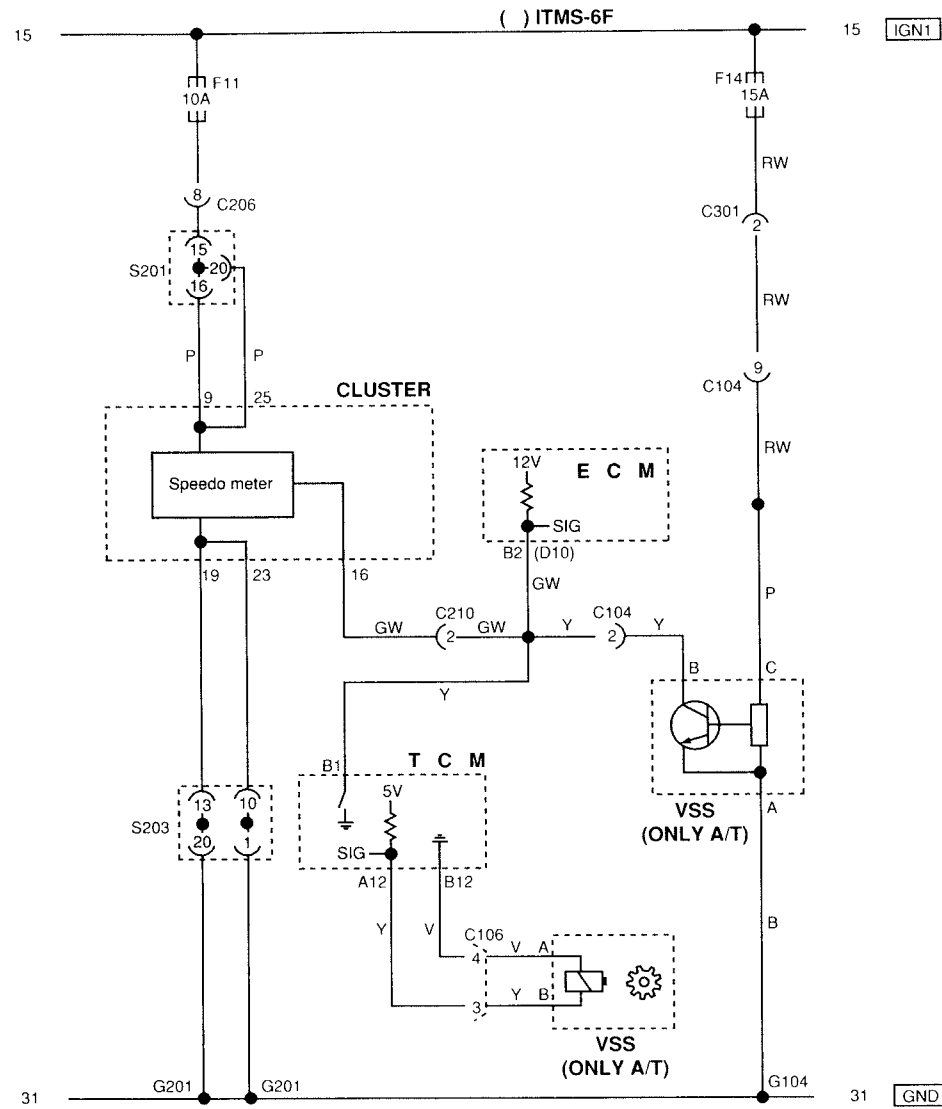
S201(BLUE)



S202(ORANGE)



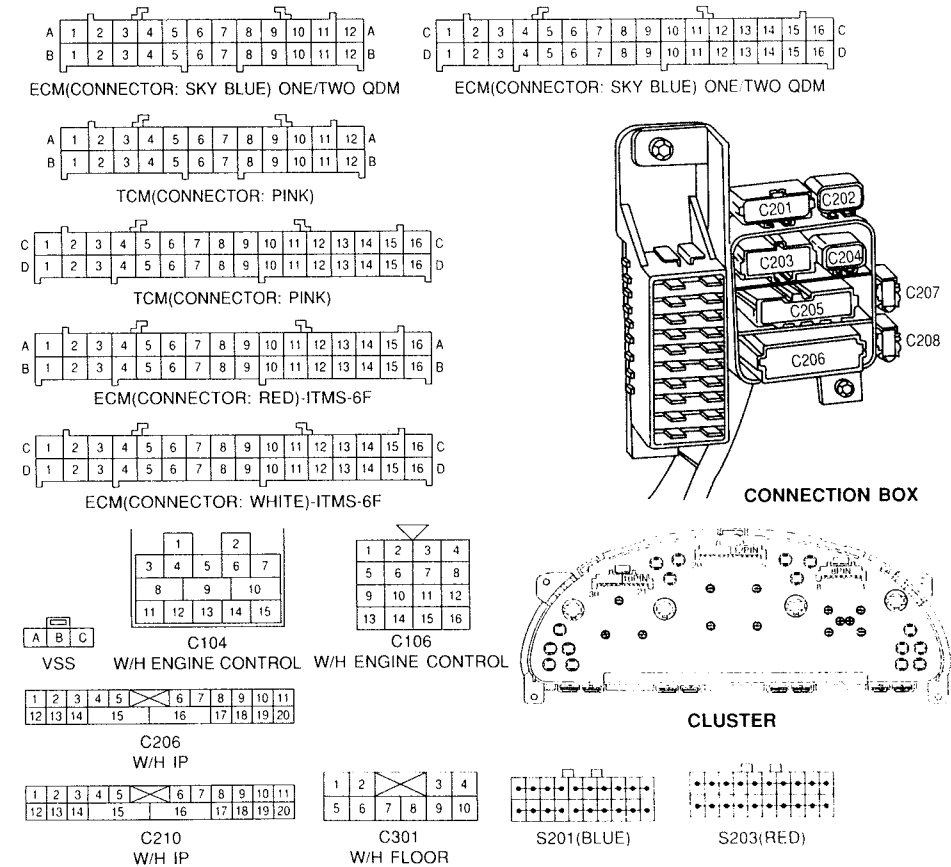
2) VEHICLE SPEEDOMETER CIRCUIT



a. CONNECTOR INFORMATION

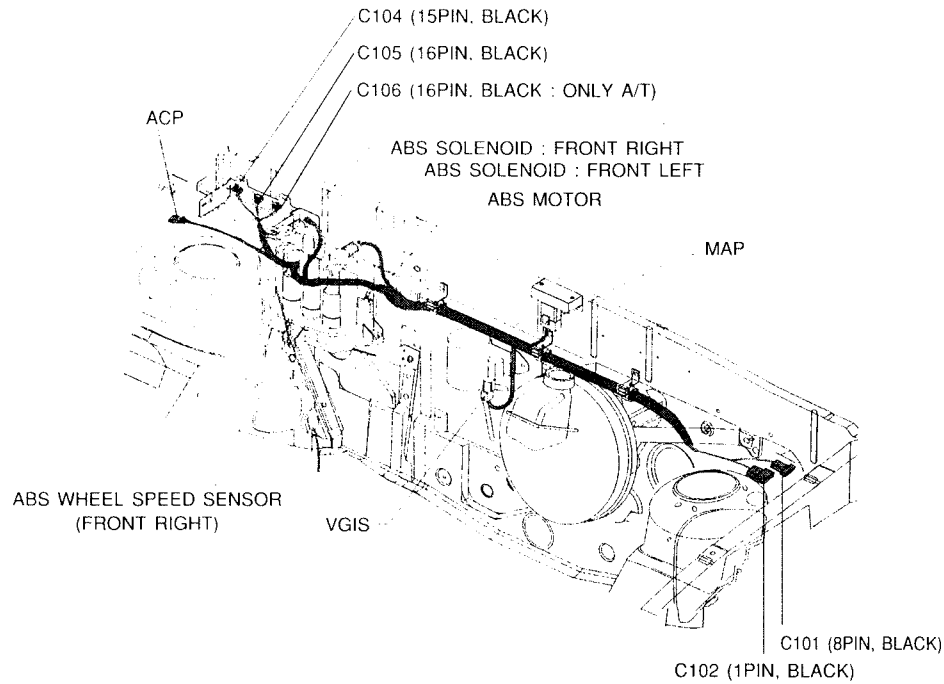
CONNECTOR(NO) (PIN NO. COLOR)	CONNECTING. WIRING HARNESS	CONNECTOR POSITION
C104 (15PIN. BLACK)	W/H ECM & ABS - Engine Control	Behind Right Strut Mounting
C106 (16PIN. BLACK)	W/H ECM & ABS - Engine Control	Behind Right Strut Mounting
C206 (20PIN. COLORLESS)	W/H Floor - IP	Connection Box Next to Passenger Room Fuse Box
C210 (20PIN. COLORLESS)	W/H ECM & ABS - IP	Below Glove Box (Right Side Panel)
C301 (10PIN. WHITE)	W/H ECM & ABS - Floor	Below Co-Driver Seat
S201 (20PIN. BLUE)	Splice Pack	Next to Passenger Room Relay Box
S203 (20PIN. RED)	Splice pack	Next to Passenger Room Relay Box
G104	Ground	Intake Manifold '#4' Cylinder
G201	Ground	Below Right Front Console Box

b. CONNECTOR IDENTIFICATION SYMBOL & PIN NUMBER POSITION



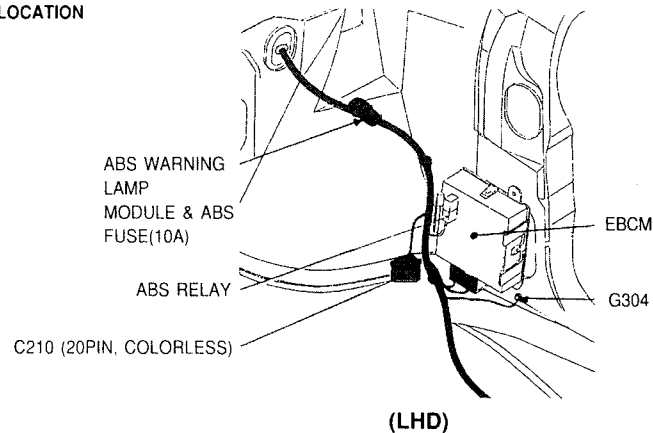
c. POSITION OF CONNECTORS AND GROUNDS

- W/H ECM & ABS
- ENGINE ROOM INSIDE

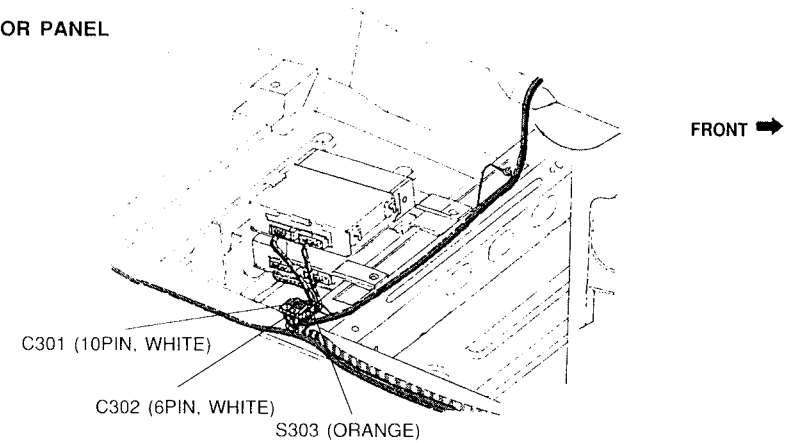


- W/H ECM & ABS

• "A" LOCATION

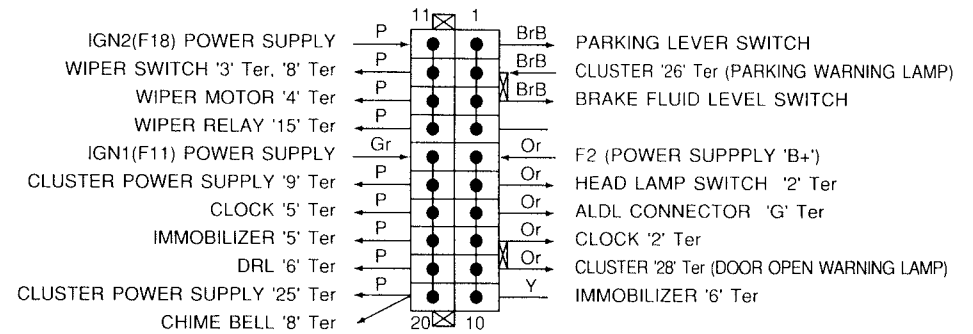


- W/H FLOOR
- W/H ECM & ABS
- FLOOR PANEL

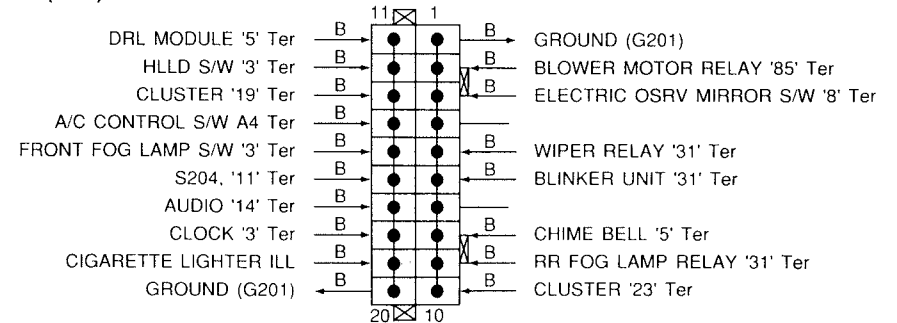


d. SPLICE PACK

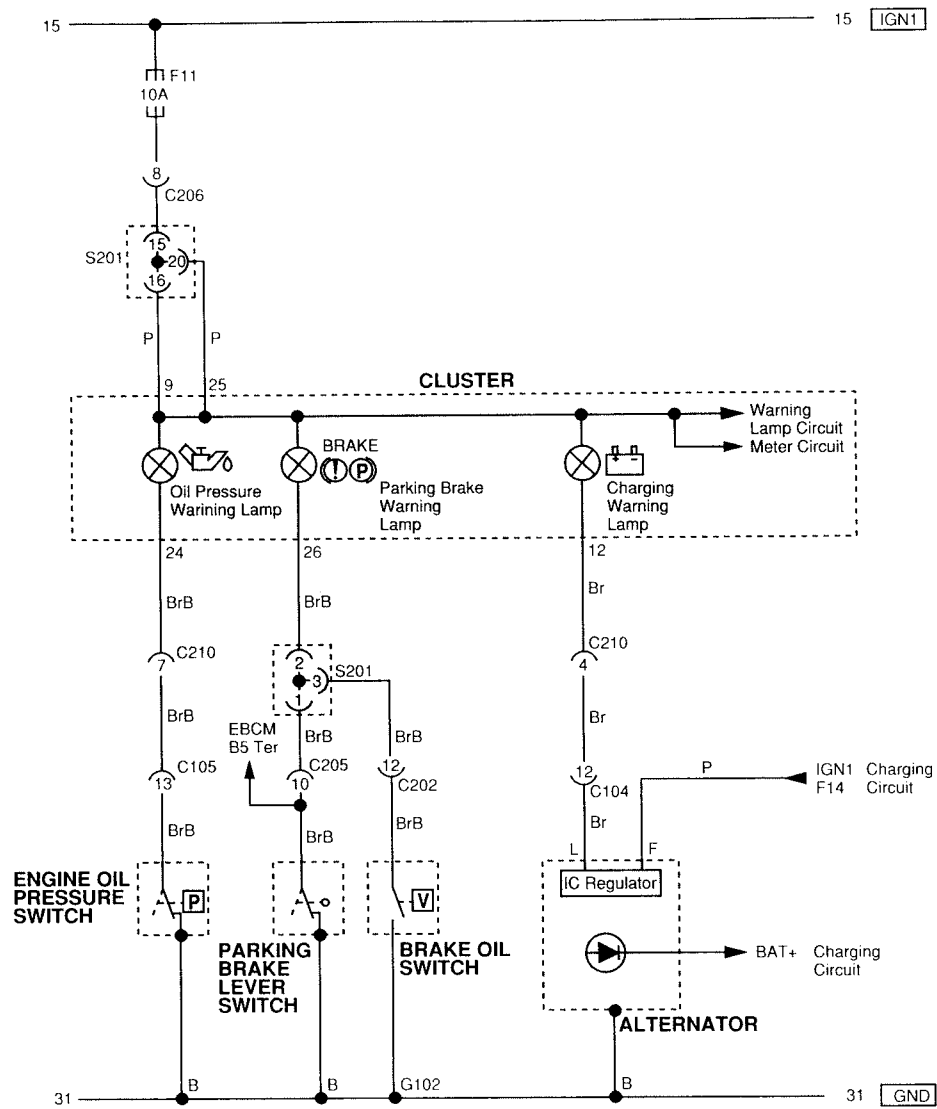
S201(BLUE)



S203(RED)



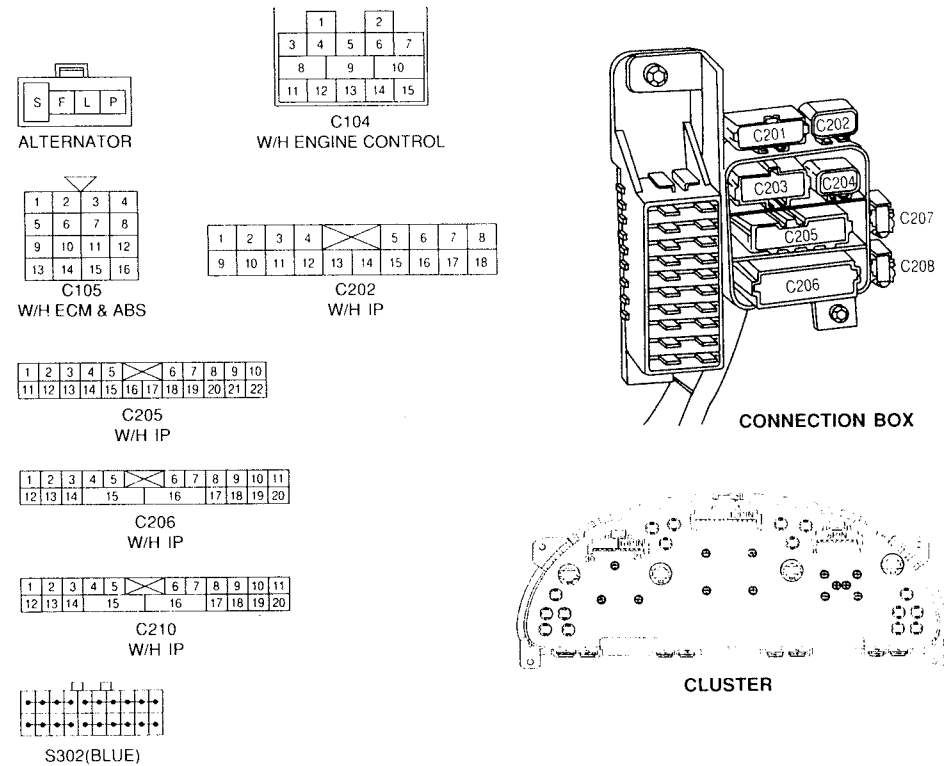
3) WARNING LAMP (OIL PRESSURE. PARKING BRAKE. CHARGING) CIRCUIT (LHD)



a. CONNECTOR INFORMATION

CONNECTOR(NO) (PIN NO. COLOR)	CONNECTING. WIRING HARNESS	CONNECTOR POSITION
C104 (15PIN. BLACK)	W/H ECM & ABS - Engine Control	Behind Right Strut Mounting
C105 (16PIN. BLACK)	W/H ECM & ABS - Engine Control	Behind Right Strut Mounting
C202 (18PIN. WHITE)	W/H Front - IP	Connection Box Next to Passenger Room Fuse Box
C205 (22PIN. YELLOW)	W/H Floor - IP	Connection Box Next to Passenger Room Fuse Box
C206 (20PIN. COLORLESS)	W/H Floor - IP	Connection Box Next to Passenger Room Fuse Box
C210 (20PIN. COLORLESS)	W/H ECM & ABS - IP	Below Glove Box (Right Side Panel)
S201 (20PIN. BLUE)	Splice Pack	Next to Passenger Room Relay Box
G102	Ground	Fender Below Engine Room Fuse Box

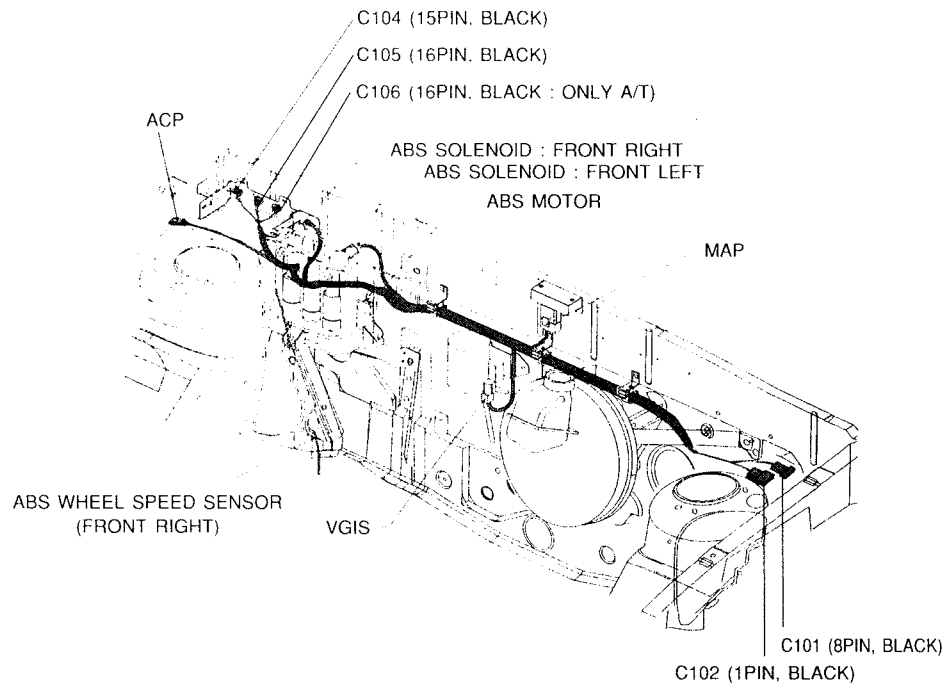
b. CONNECTOR IDENTIFICATION SYMBOL & PIN NUMBER POSITION



c. POSITION OF CONNECTORS AND GROUNDS

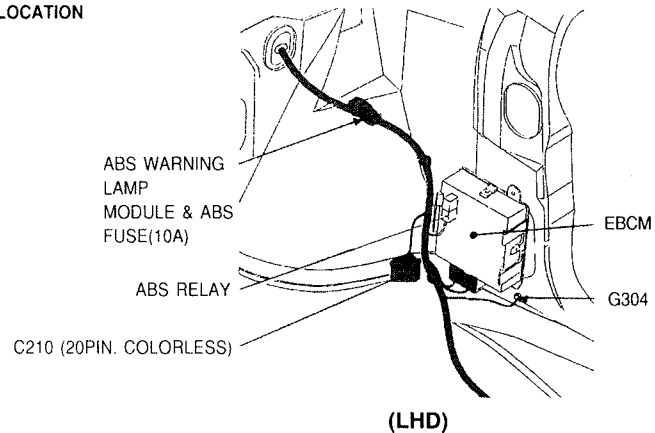
W/H ECM & ABS

• ENGINE ROOM INSIDE



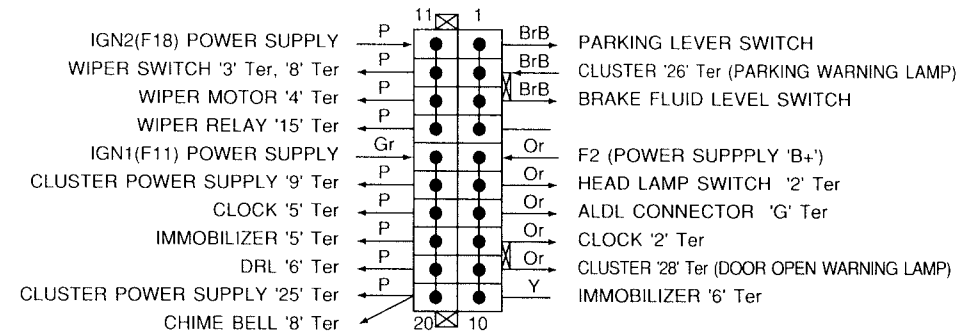
W/H ECM & ABS

* "A" LOCATION

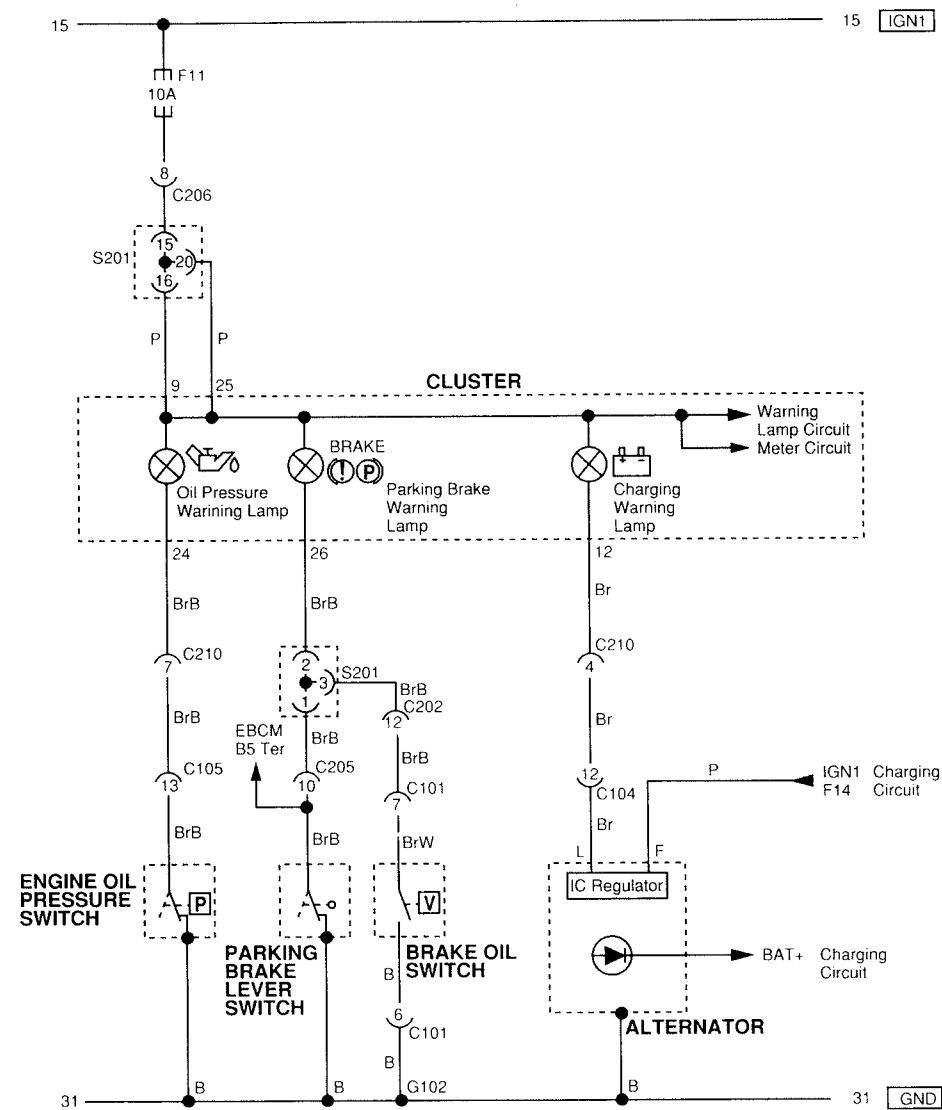


d. SPLICE PACK

S201(BLUE)



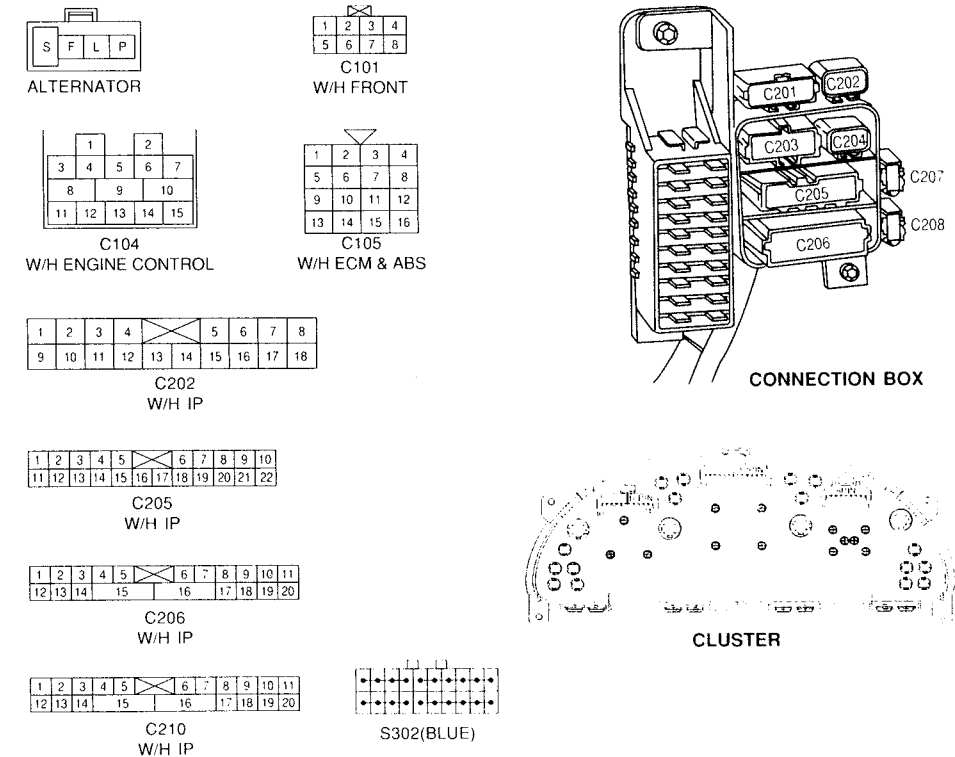
3-1) WARNING LAMP (OIL PRESSURE. PARKING BRAKE. CHARGING) CIRCUIT (RHD)



a. CONNECTOR INFORMATION

CONNECTOR(NO) (PIN NO. COLOR)	CONNECTING. WIRING HARNESS	CONNECTOR POSITION
C101 (8PIN. BLACK)	W/H ECM & ABS - Front	Below Engine Coolant Surge Tank
C104 (15PIN. BLACK)	W/H ECM & ABS - Engine Control	Behind Right Strut Mounting
C105 (16PIN. BLACK)	W/H ECM & ABS - Engine Control	Behind Right Strut Mounting
C202 (18PIN. WHITE)	W/H Front - IP	Connection Box Next to Passenger Room Fuse Box
C205 (22PIN. YELLOW)	W/H Floor - IP	Connection Box Next to Passenger Room Fuse Box
C206 (20PIN. COLORLESS)	W/H Floor - IP	Connection Box Next to Passenger Room Fuse Box
C210 (20PIN. COLORLESS)	W/H ECM & ABS - IP	Below Glove Box (Right Side Panel)
S201 (20PIN. BLUE)	Splice Pack	Next to Passenger Room Relay Box
G102	Ground	Fender Below Engine Room Fuse Box

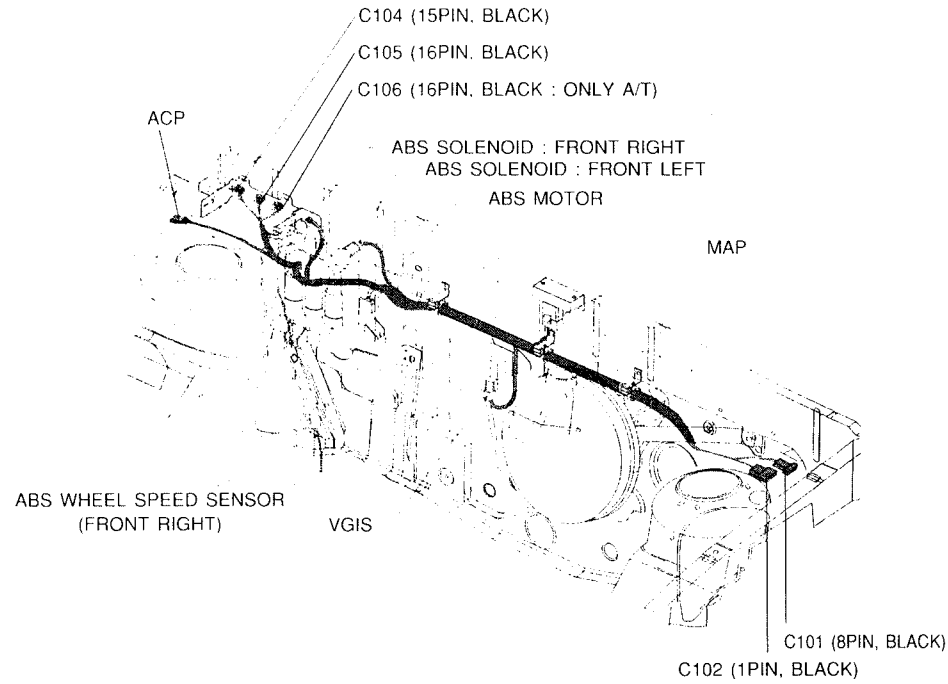
b. CONNECTOR IDENTIFICATION SYMBOL & PIN NUMBER POSITION



c. POSITION OF CONNECTORS AND GROUNDS

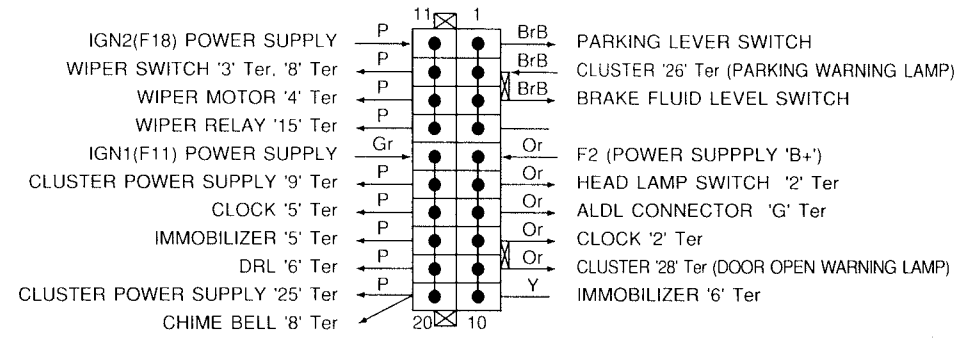
■ W/H ECM & ABS

• ENGINE ROOM INSIDE



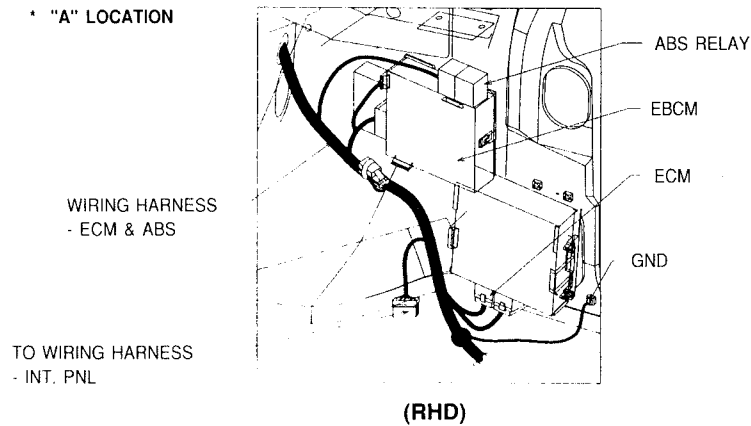
d. SPLICE PACK

S201(BLUE)

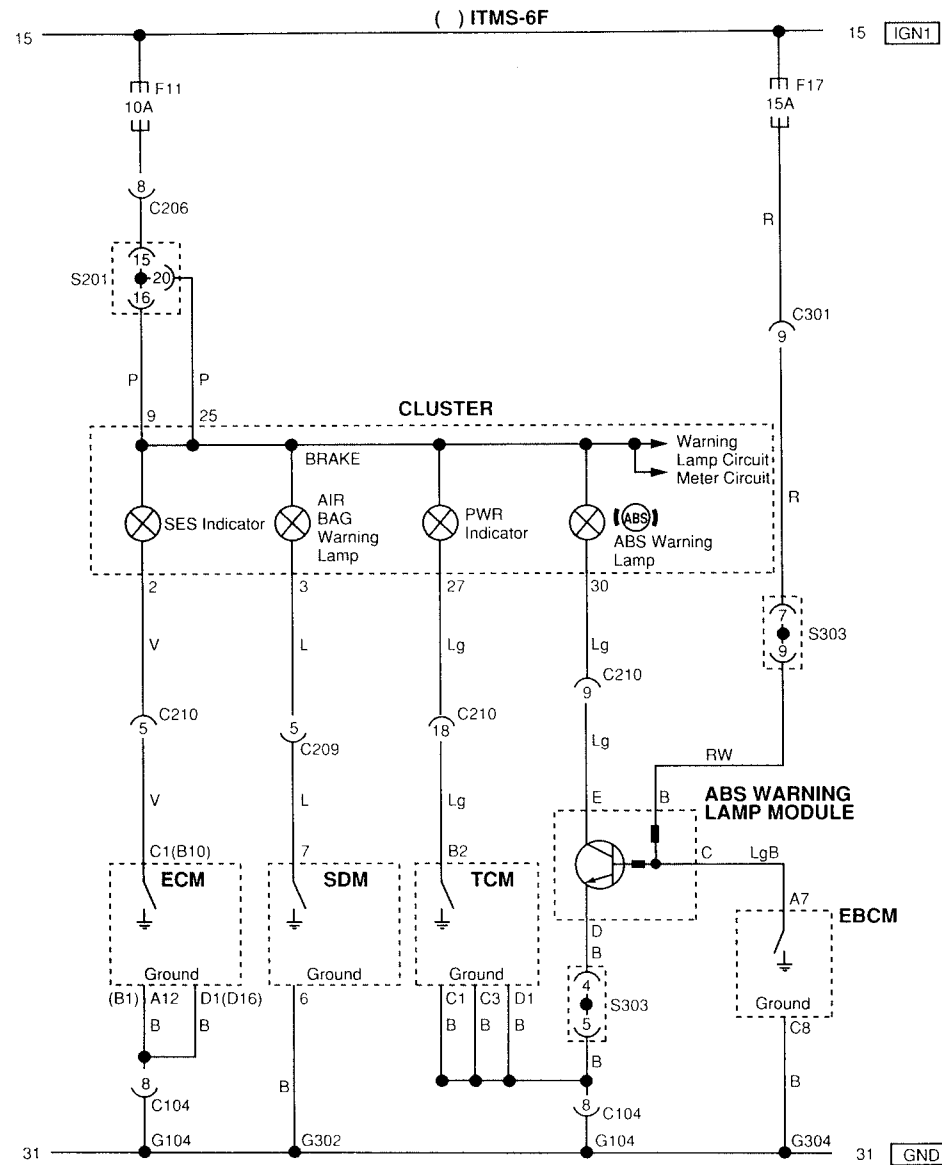


■ W/H ECM & ABS

• "A" LOCATION



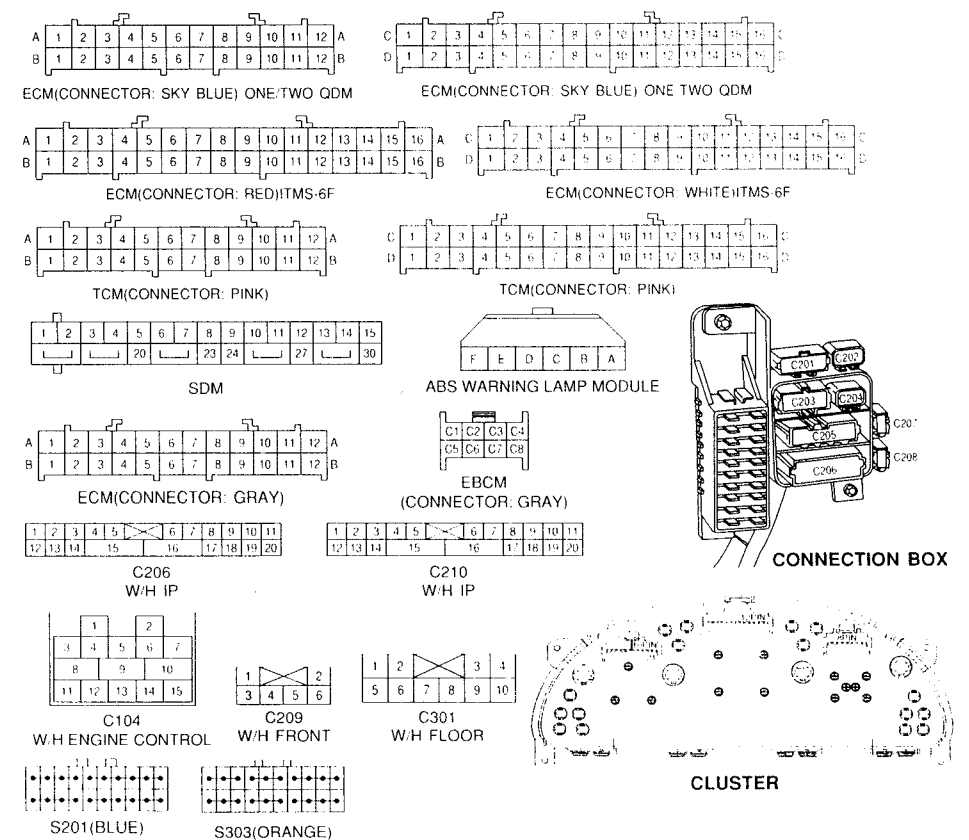
4) WARNING LAMP (AIR BAG, ABS). INDICATOR LAMP (SES. POWER MODE) CIRCUIT



a. CONNECTOR INFORMATION

CONNECTOR(NO) (PIN NO. COLOR)	CONNECTING. WIRING HARNESS	CONNECTOR POSITION
C104 (15PIN. BLACK)	W/H ECM & ABS - Engine Control	Behind Right Strut Mounting
C206 (20PIN. COLORLESS)	W/H Floor - IP	Connection Box Next to Passenger Room Fuse Box
C209 (6PIN. WHITE)	W/H Air-Bag - IP	Behind Left Front Console
C210(20PIN. COLORLESS)	W/H ECM & ABS - IP	Below Glove Box (Right Side Panel)
C301 (10PIN. WHITE)	W/H ECM & ABS - Floor	Below Co-Driver Seat
S201 (20PIN. BLUE)	Splice Pack	Next to Passenger Room Relay Box
S303 (20PIN. GRAY)	Splice Pack	Below Co-Driver Seat
G104	Ground	Intake Manifold '#4' Cylinder
G302	Ground	Below Right Fornt Console Box
G304	Ground	Below Glove Box (Right Side Panel)

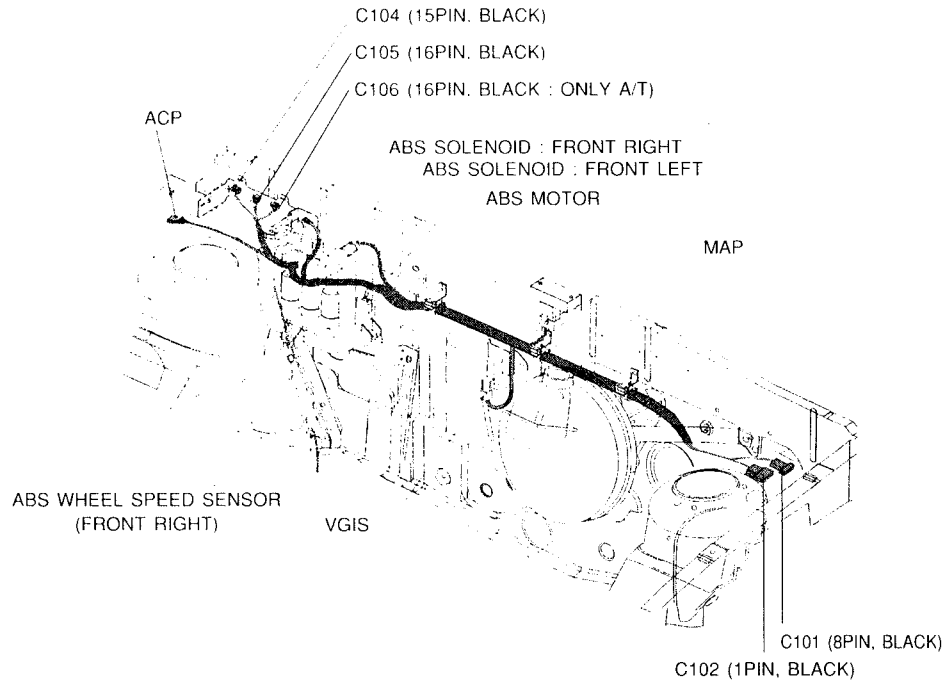
b. CONNECTOR IDENTIFICATION SYMBOL & PIN NUMBER POSITION



c. POSITION OF CONNECTORS AND GROUNDS

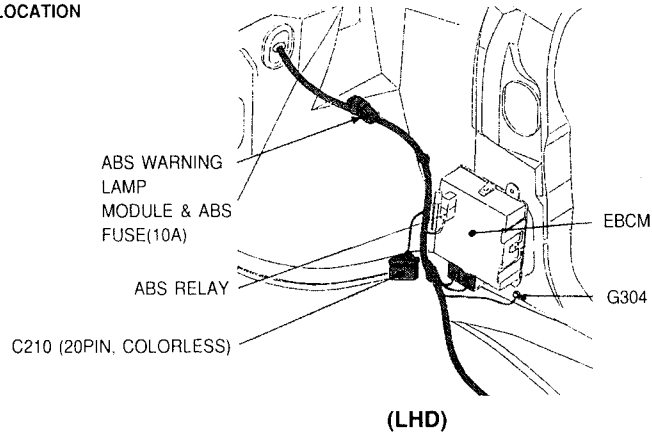
■ W/H ECM & ABS

• ENGINE ROOM INSIDE



■ W/H ECM & ABS

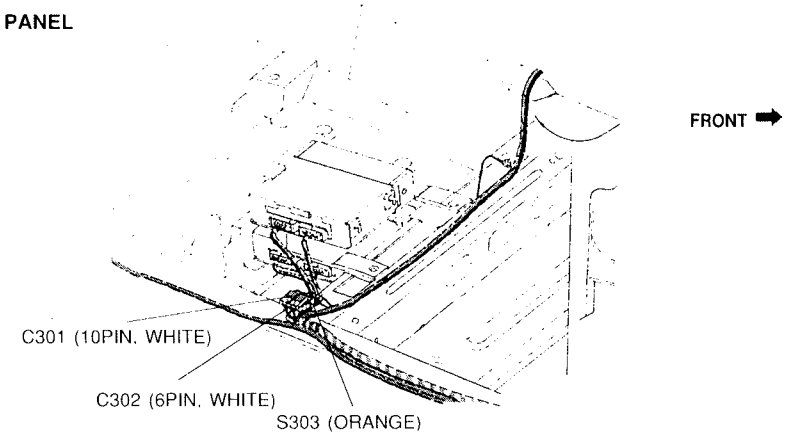
* "A" LOCATION



■ W/H FLOOR

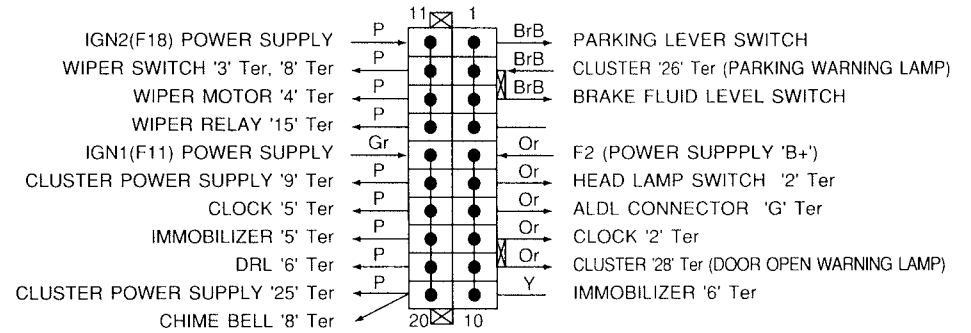
□ W/H ECM & ABS

• FLOOR PANEL

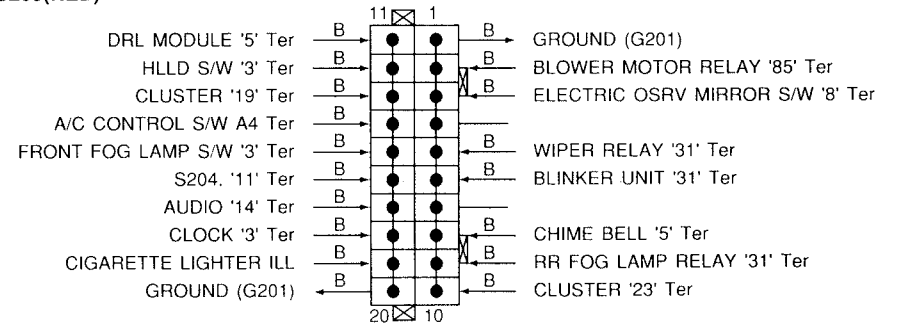


d. SPLICE PACK

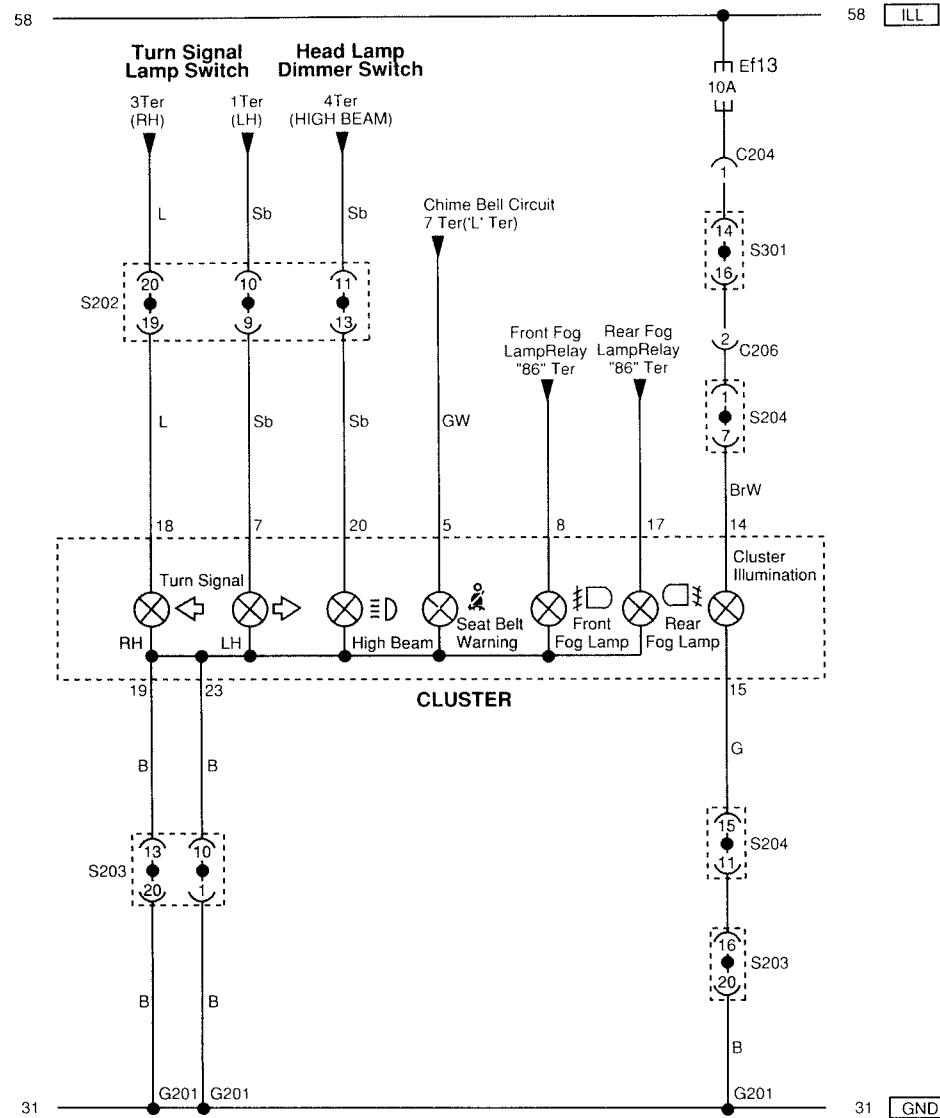
S201(BLUE)



S203(RED)



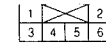
5) INDICATOR LAMP (TURN SIGNAL. HIGHBEAM. SEAT BELT. FRONT FOG. REAR FOG.) CLUSTER ILLUMINATION LAMP CIRCUIT



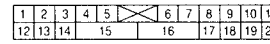
a. CONNECTOR INFORMATION

CONNECTOR(NO) (PIN NO. COLOR)	CONNECTING. WIRING HARNESS	CONNECTOR POSITION
C204 (6PIN. WHITE)	W/H Front - Floor	Connection Box Next to Passenger Room Fuse Box
C206 (20PIN. COLORLESS)	W/H Floor - IP	Connection Box Next to Passenger Room Fuse Box
S202 (20PIN. ORANGE)	Splice Pack	Next to Passenger Room Relay Box
S203 (20PIN. RED)	Splice Pack	Next to Passenger Room Relay Box
S204 (20PIN. RED)	Splice Pack	Above Glove Box
S301 (20PIN. ORANGE)	Splice Pack	Below Driver Seat
G201	Ground	Below Right Front Console Box

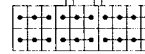
b. CONNECTOR IDENTIFICATION SYMBOL & PIN NUMBER POSITION



C204
W/H FRONT



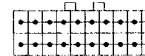
C206
W/H IP



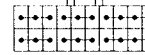
S202(ORANGE)



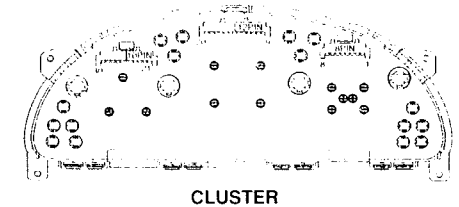
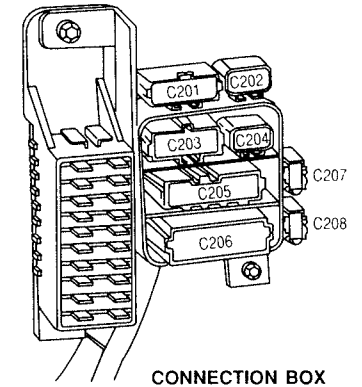
S203(RED)



S204(RED)



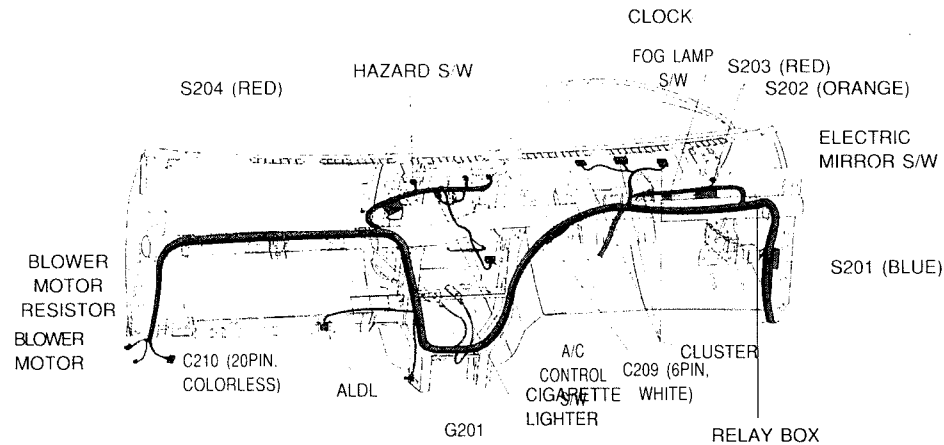
S301(ORANGE)



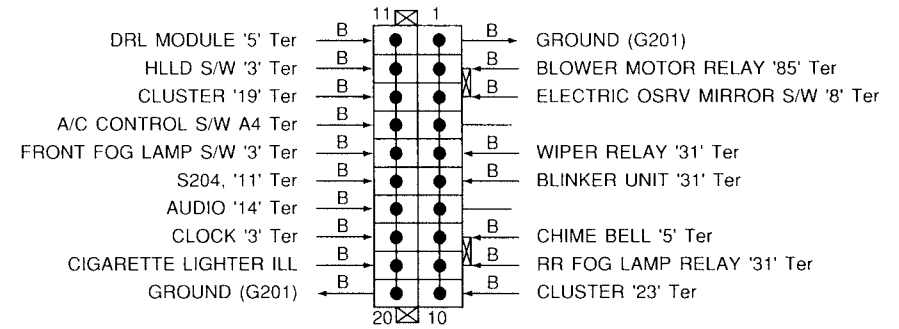
c. POSITION OF CONNECTORS AND GROUNDS

W/H IP

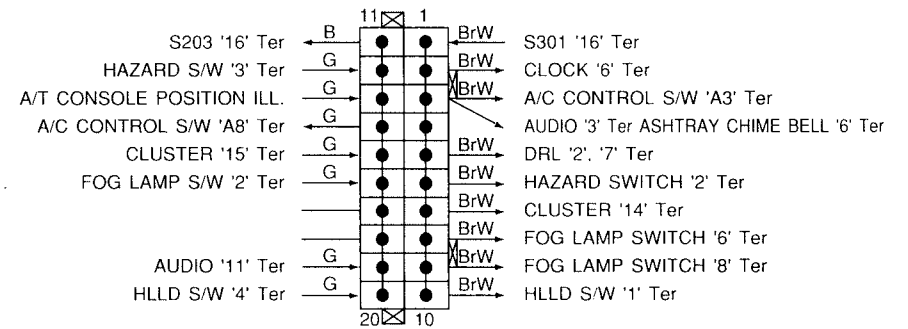
• INSTRUMENT PANEL INSIDE



S203(RED)

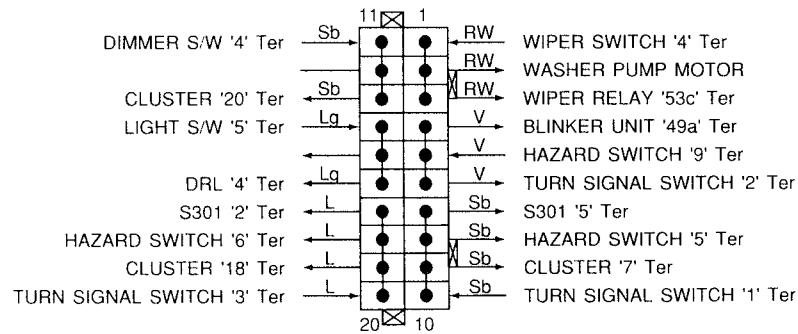


S204(RED)

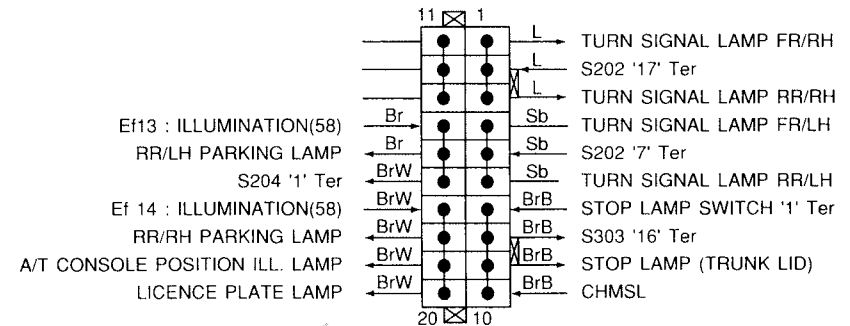


d. SPLICE PACK

S202(ORANGE)

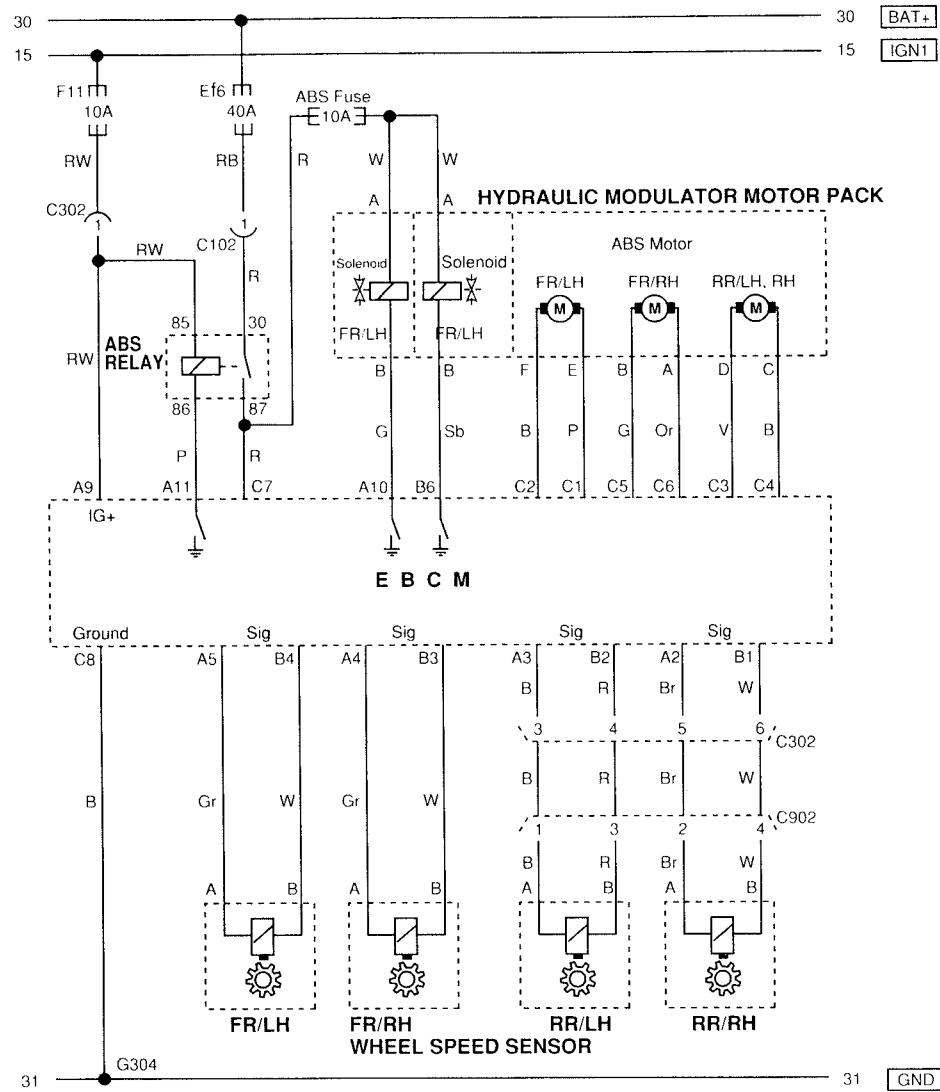


S301(ORANGE)



23. ABS (ANTILOCK BRAKE SYSTEM)

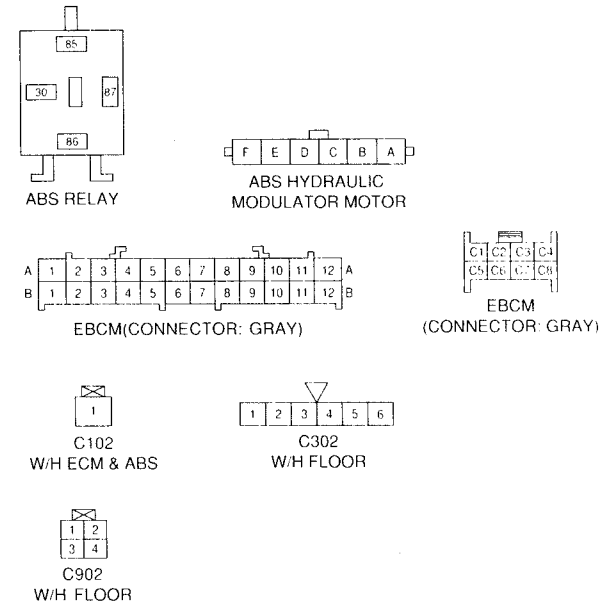
1) ABS RELAY, HYDRAULIC MODULATOR MOTOR PACK, WHEEL SPEED SENSOR CIRCUIT



a. CONNECTOR INFORMATION

CONNECTOR(NO) (PIN NO. COLOR)	CONNECTING. WIRING HARNESS	CONNECTOR POSITION
C102 (1PIN. BLACK)	W/H ECM & ABS - Front	Below Engine Coolant Surge Tank
C302 (6PIN. WHITE)	W/H ECM & ABS - Floor	Below Co-Driver Seat
C902 (4PIN. BLACK)	W/H Floor - Rear ABS Sensor	Right Side Rear Axle
G304	Ground	Below Glove Box (Right Side Panel)

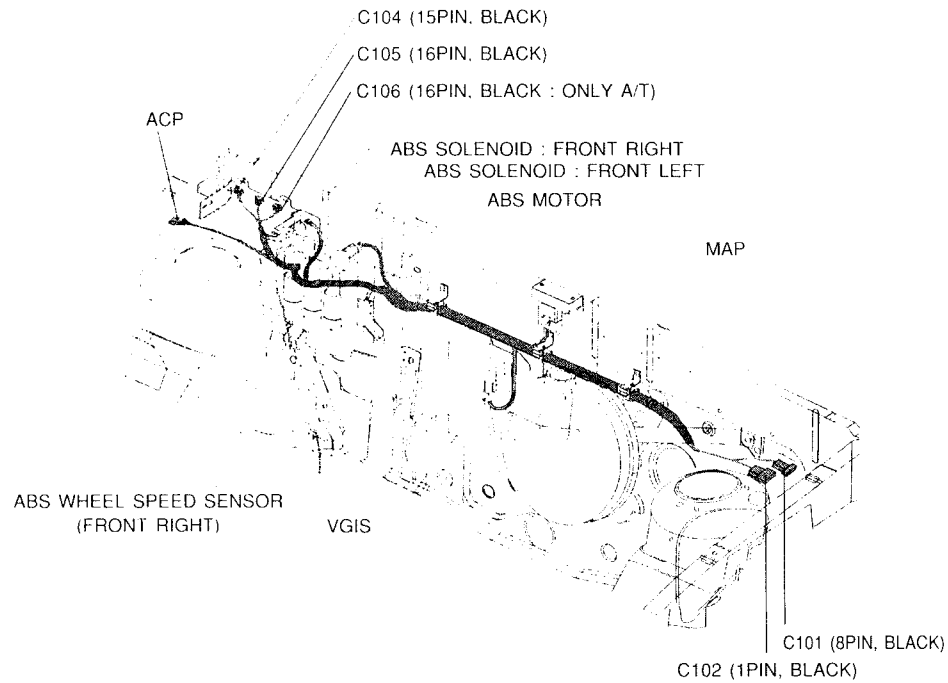
b. CONNECTOR IDENTIFICATION SYMBOL & PIN NUMBER POSITION



c. POSITION OF CONNECTORS AND GROUNDS

■ W/H ECM & ABS

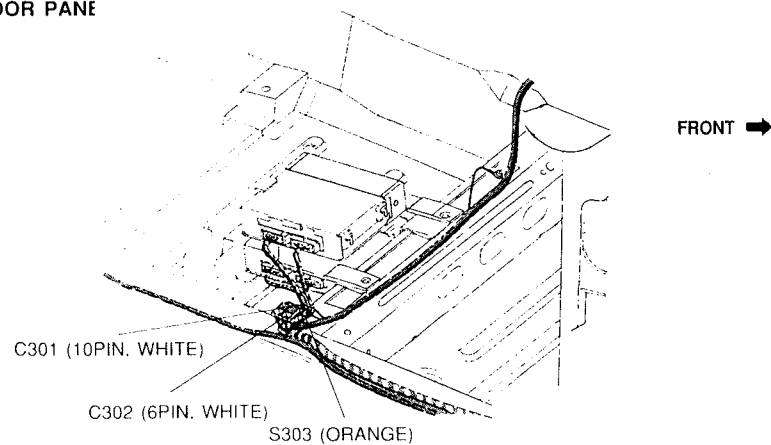
• ENGINE ROOM INSIDE



■ W/H FLOOR

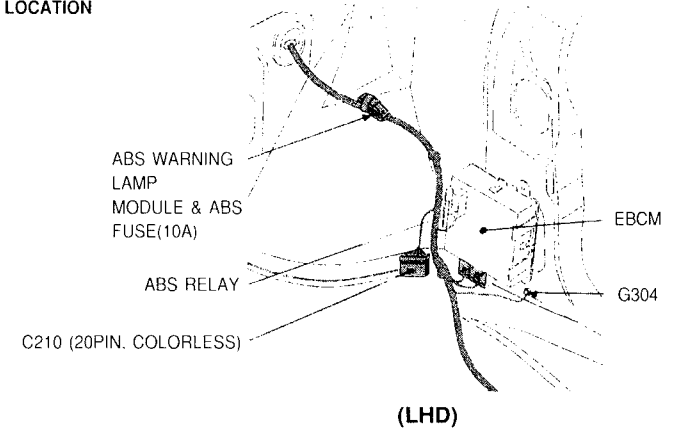
■ W/H ECM & ABS

• FLOOR PANE



■ W/H ECM & ABS

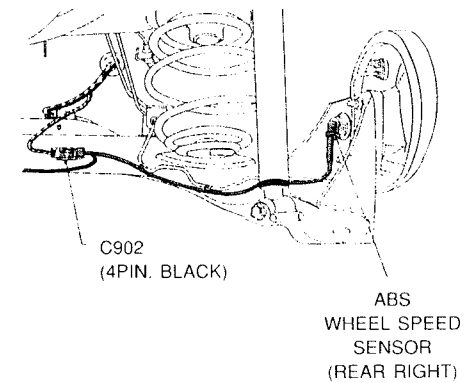
• "A" LOCATION



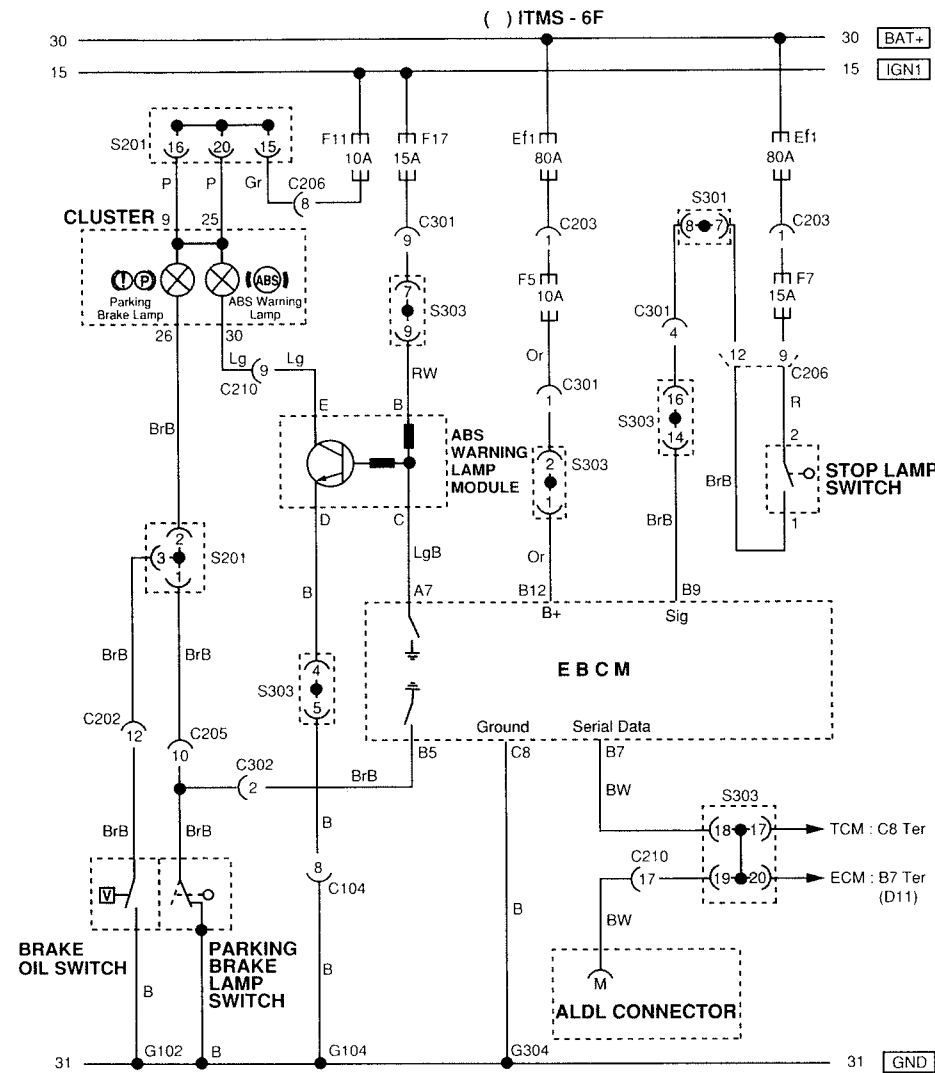
■ W/H FLOOR

■ W/H REAR ABS SENSOR

• REAR AXLE RIGHT



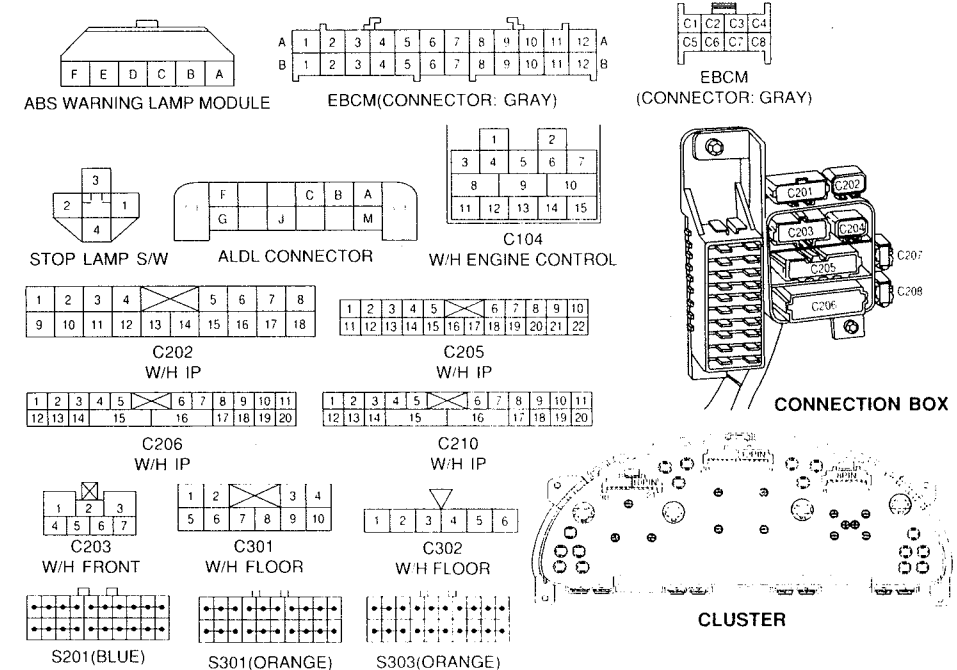
2) ABS WARNING LAMP, ALDL, STOP LAMP CIRCUIT (LHD)



a. CONNECTOR INFORMATION

CONNECTOR(NO) (PIN NO. COLOR)	CONNECTING. WIRING HARNESS	CONNECTOR POSITION
C104 (15PIN. BLACK)	W/H ECM & ABS - Engine Control	Behind Right Strut Mounting
C202 (18PIN. WHITE)	W/H Front - IP	Connection Box Next to Passenger Room Fuse Box
C203 (7PIN. GRAY)	W/H Front - Floor	Connection Box Next to Passenger Room Fuse Box
C205 (22PIN. YELLOW)	W/H Floor - IP	Connection Box Next to Passenger Room Fuse Box
C206 (20PIN. COLORLESS)	W/H Floor - IP	Connection Box Next to Passenger Room Fuse Box
C210 (20PIN. COLORLESS)	W/H ECM & ABS - IP	Below Glove Box (Right Side Panel)
C301 (10PIN. WHITE)	W/H ECM & ABS - Floor	Below Co-Driver Seat
C302 (6PIN. WHITE)	W/H ECM & ABS - Floor	Below Co-Driver Seat
S201 (20PIN. BLUE)	Splice Pack	Next to Passenger Room Relay Box
S301 (20PIN. ORANGE)	Splice Pack	Below Driver Seat
S303 (20PIN. GRAY)	Splice Pack	Below Co-Driver Seat
G102	Ground	Fender Below Engine Room Fuse Box
G104	Ground	Intake Manifold '#4' Cylinder
G304	Ground	Below Glove Box (Right Side Panel)

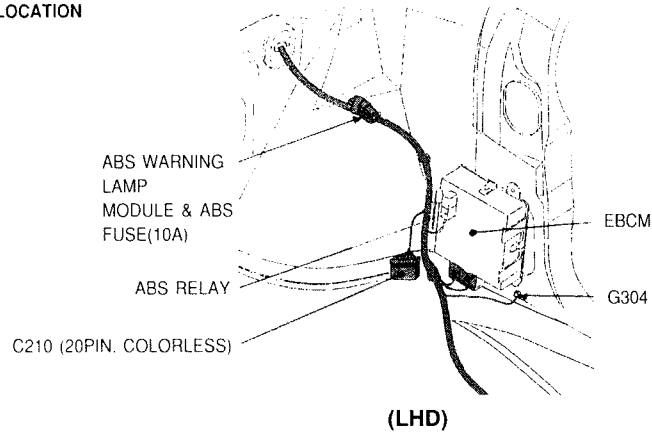
b. CONNECTOR IDENTIFICATION SYMBOL & PIN NUMBER POSITION



c. POSITION OF CONNECTORS AND GROUND

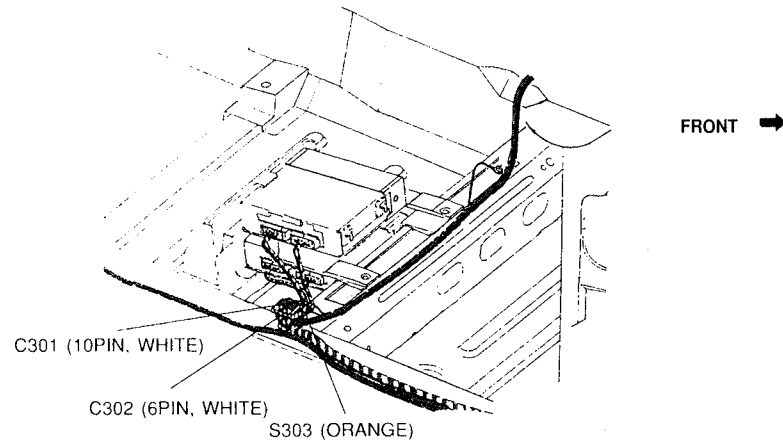
■ W/H ECM & ABS

* "A" LOCATION



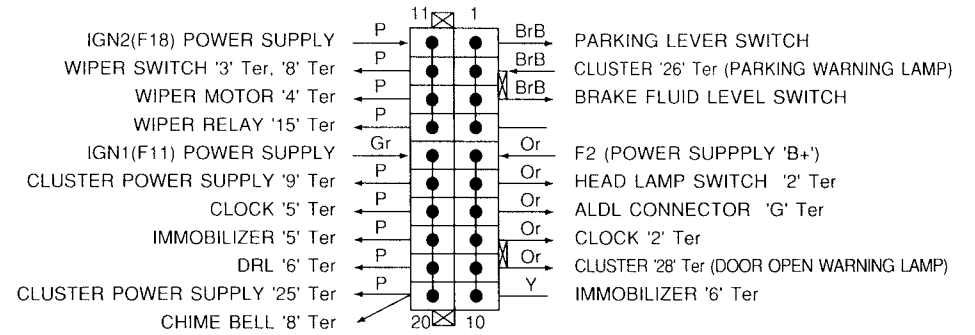
■ W/H FLOOR

▨ W/H ECM & ABS

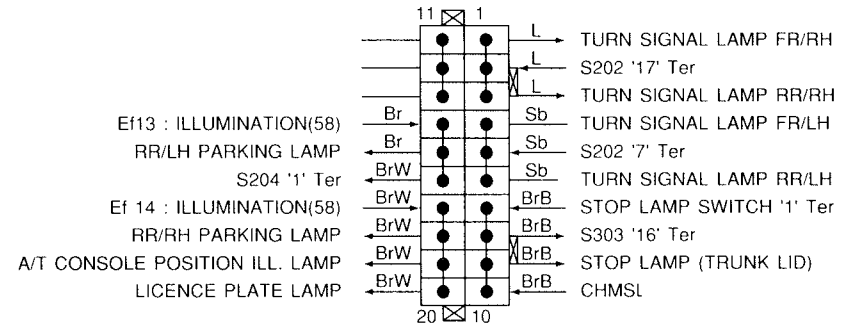


d. SPLICE PACK

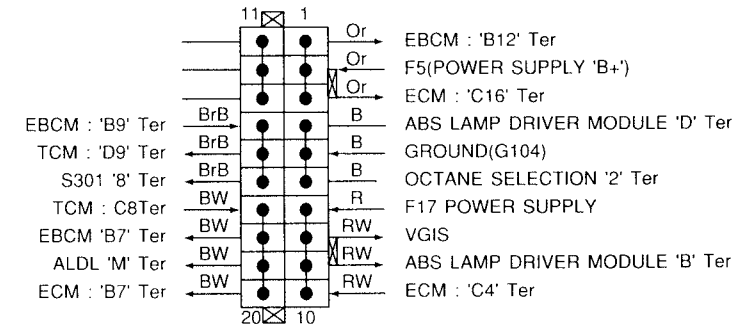
S201(BLUE)



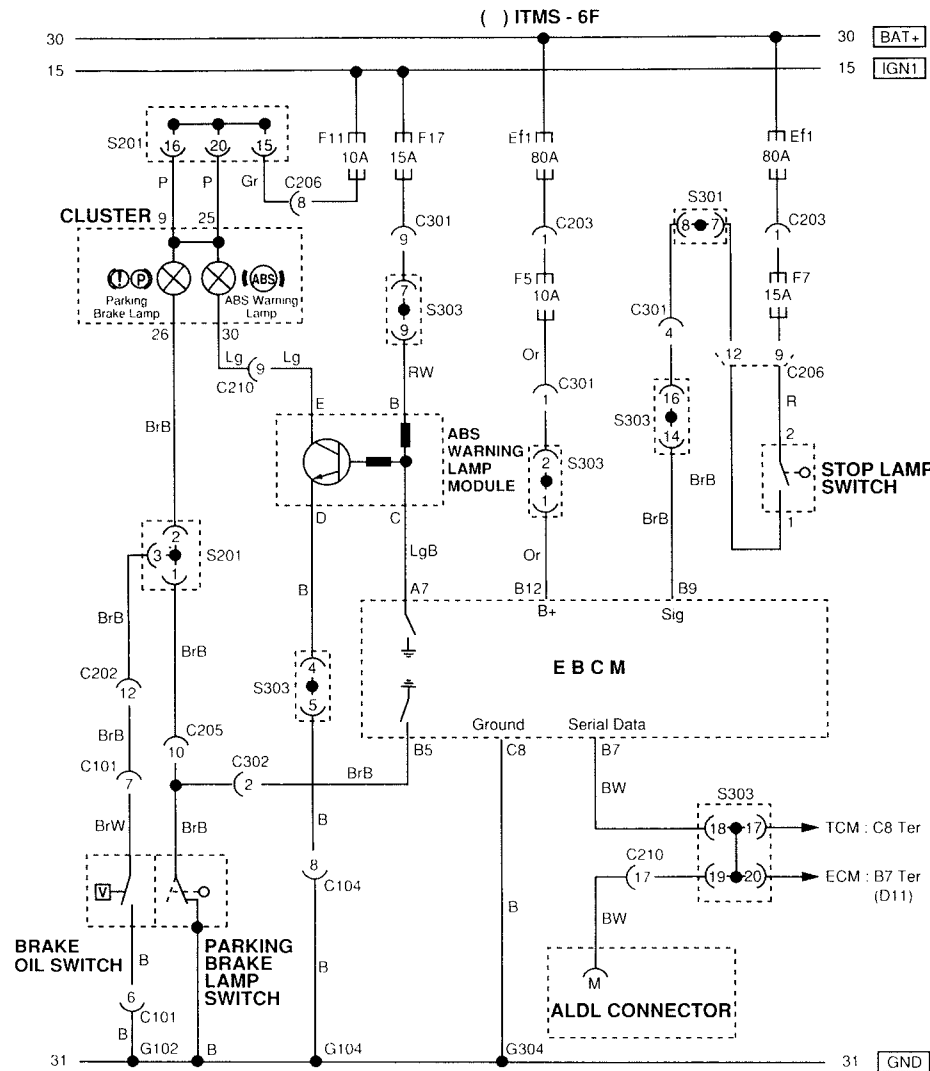
S301(ORANGE)



S303(GRAY)



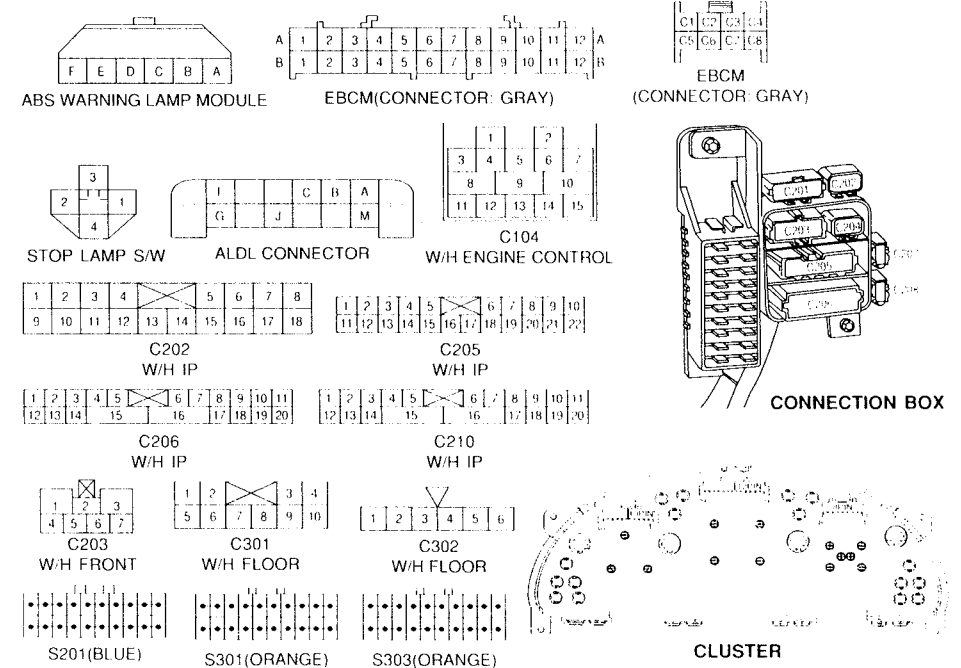
2-1) ABS WARNING LAMP, ALDL, STOP LAMP CIRCUIT (RHD)



a. CONNECTOR INFORMATION

CONNECTOR(NO) (PIN NO. COLOR)	CONNECTING. WIRING HARNESS	CONNECTOR POSITION
C101 (8PIN. BLACK)	W/H ECM & ABS - Front	Below Engine Coolant Surge Tank
C104 (15PIN. BLACK)	W/H ECM & ABS - Engine Control	Behind Right Strut Mounting
C202 (18PIN. WHITE)	W/H Front - IP	Connection Box Next to Passenger Room Fuse Box
C203 (7PIN. GRAY)	W/H Front - Floor	Connection Box Next to Passenger Room Fuse Box
C205 (22PIN. YELLOW)	W/H Floor - IP	Connection Box Next to Passenger Room Fuse Box
C206 (20PIN. COLORLESS)	W/H Floor - IP	Connection Box Next to Passenger Room Fuse Box
C210 (20PIN. COLORLESS)	W/H ECM & ABS - IP	Below Glove Box(Right Side Panel)
C301 (10PIN. WHITE)	W/H ECM & ABS - Floor	Below Co-Driver Seat
C302 (6PIN. WHITE)	W/H ECM & ABS - Floor	Below Co-Driver Seat
S201(20PIN. BLUE)	Splice Pack	Next to Passenger Room Relay Box
S301 (20PIN. ORANGE)	Splice Pack	Below Driver Seat
S303 (20PIN. GRAY)	Splice Pack	Below Co-Driver Seat
G102	Ground	Fender Below Engine Room Fuse Box
G104	Ground	Intake Manifold #4' Cylinder
G304	Ground	Below Glove Box (Right Side Panel)

b. CONNECTOR IDENTIFICATION SYMBOL & PIN NUMBER POSITION



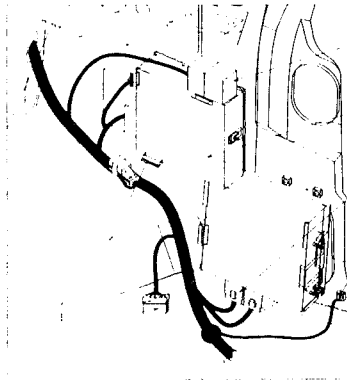
c. POSITION OF CONNECTORS AND GROUND

■ W/H ECM & ABS

• "A" LOCATION

WIRING HARNESS
- ECM & ABS

TO WIRING HARNESS
- INT. PNL



ABS RELAY

EBCM

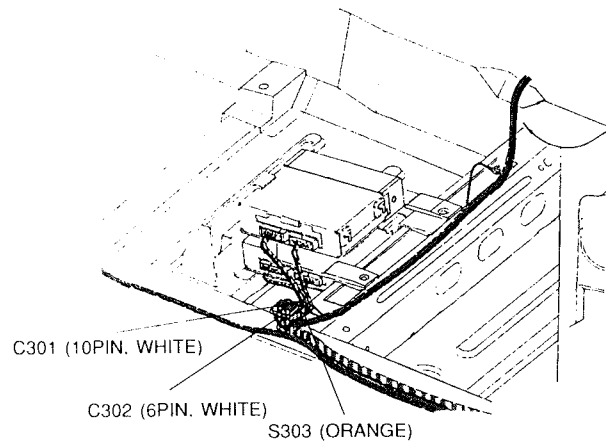
ECM

GND

(RHD)

■ W/H FLOOR

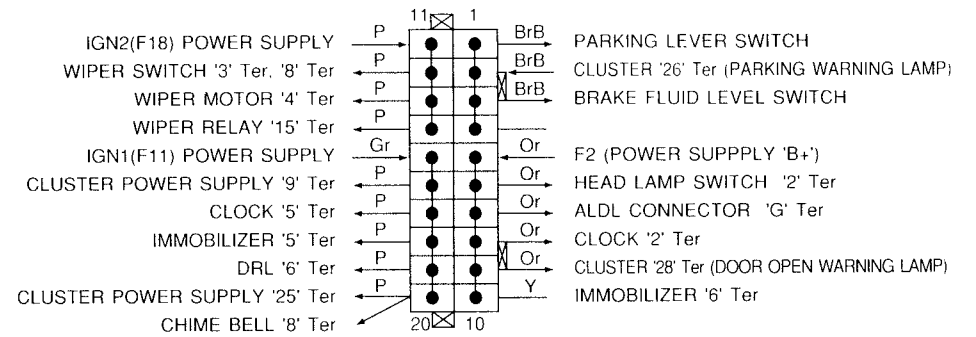
■ W/H ECM & ABS



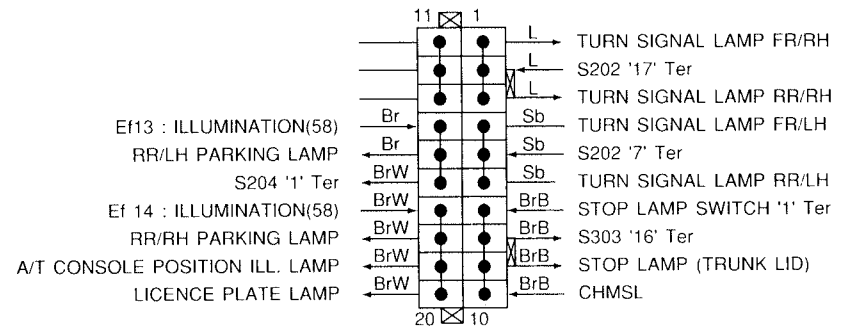
FRONT →

d. SPLICE PACK

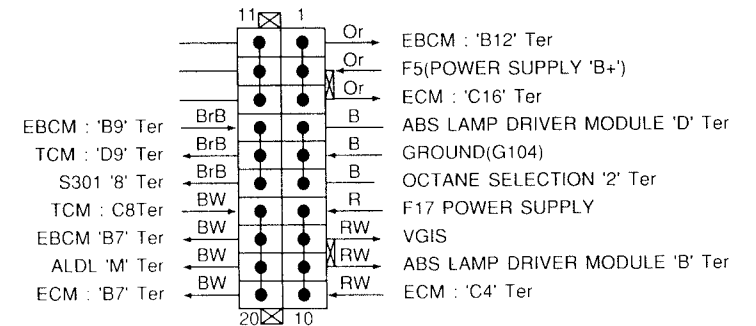
S201(BLUE)



S301(ORANGE)

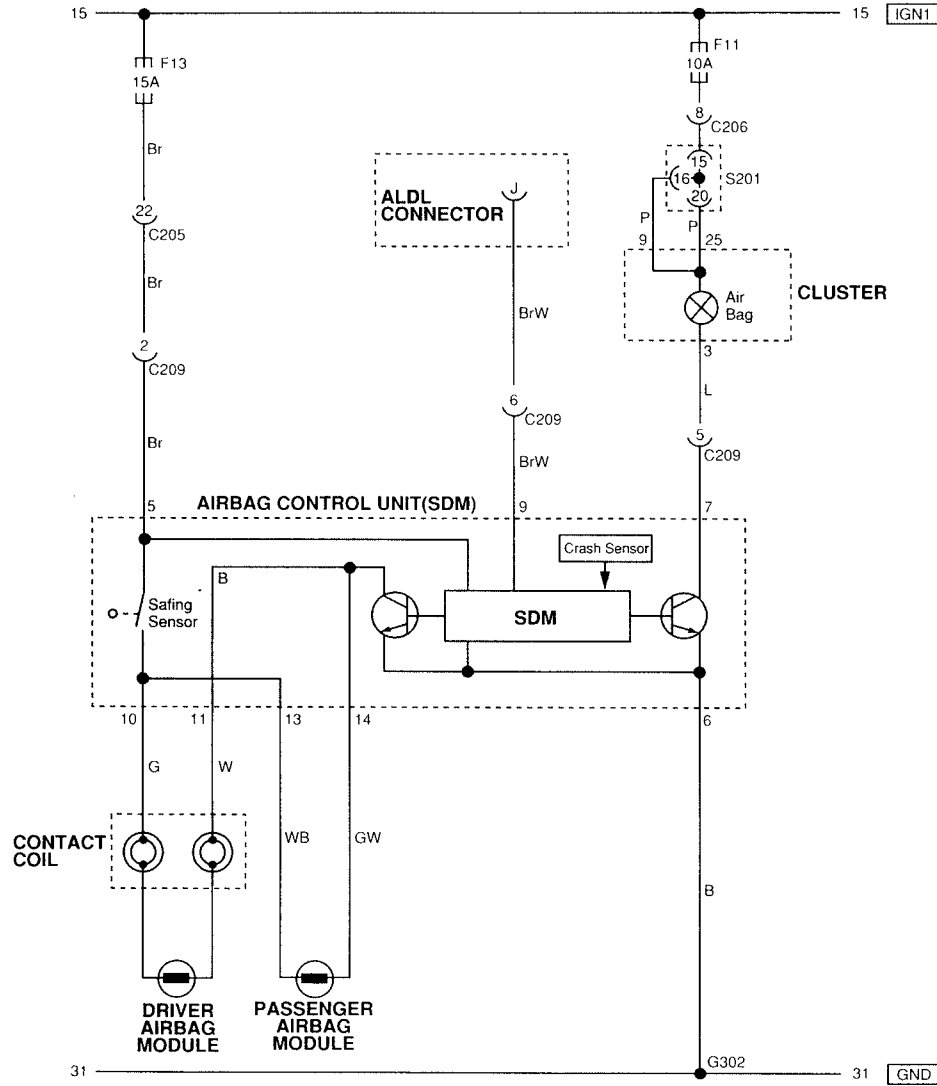


S303(GRAY)



24. AIR BAG(SDM : SENSING & DIAGNOSTIC MODULE)

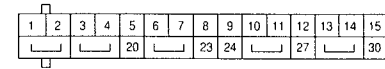
1) AIR BAG CONTROL UNIT(SDM), AIR BAG WARNING LAMP CIRCUIT



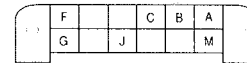
a. CONNECTOR INFORMATION

CONNECTOR(NO) (PIN NO. COLOR)	CONNECTING. WIRING HARNESS	CONNECTOR POSITION
C205 (22PIN. YELLOW)	W/H Floor - IP	Connection Box Next to Passenger Room Fuse Box
C206 (20PIN. COLORLESS)	W/H Floor - IP	Connection Box Next to Passenger Room Fuse Box
C209 (6PIN. WHITE)	W/H Air Bag - IP	Behind Left Front Console
S201 (20PIN. BLUE)	Splice Pack	Next to Passenger Room Relay Box
G302	Ground	Below Right Front Console Box

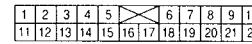
b. CONNECTOR IDENTIFICATION SYMBOL & PIN NUMBER POSITION



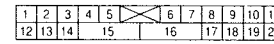
SDM



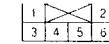
ALDL CONNECTOR



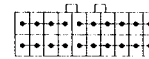
C205
W/H IP



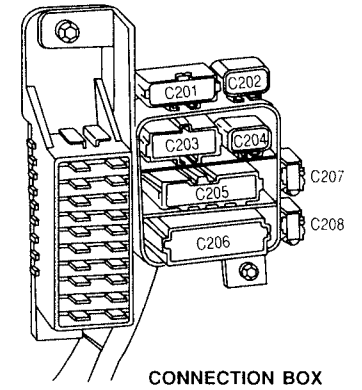
C206
W/H IP



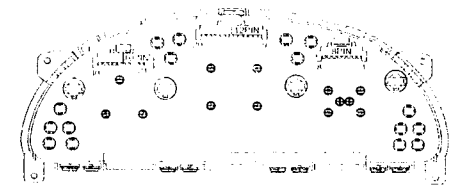
C209
W/H AIR-BAG



S201(BLUE)



CONNECTION BOX



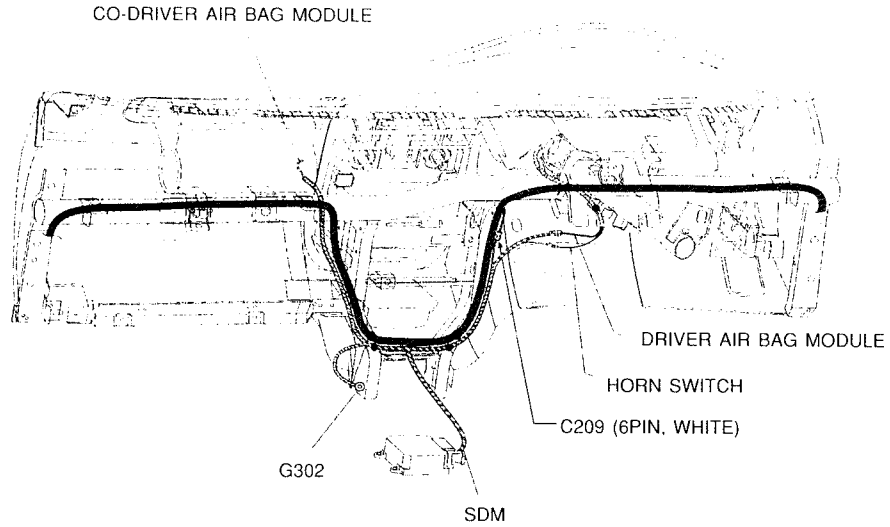
CLUSTER

c. POSITION OF CONNECTORS AND GROUNDS

■ W/H INSTRUMENT PANEL

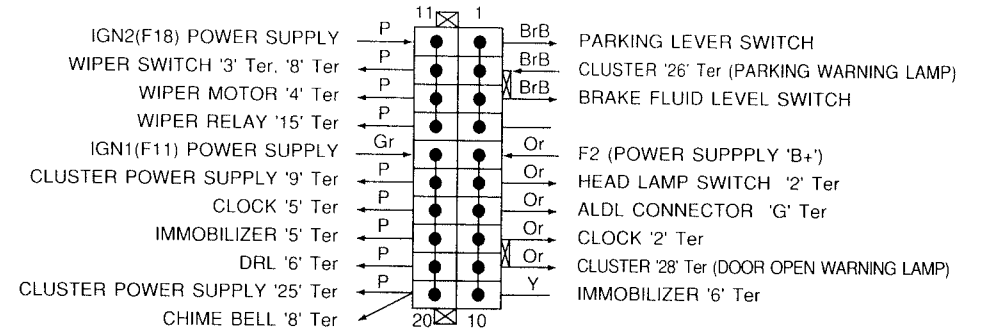
▨ W/H AIR BAG

• INSTRUMENT PANEL INSIDE

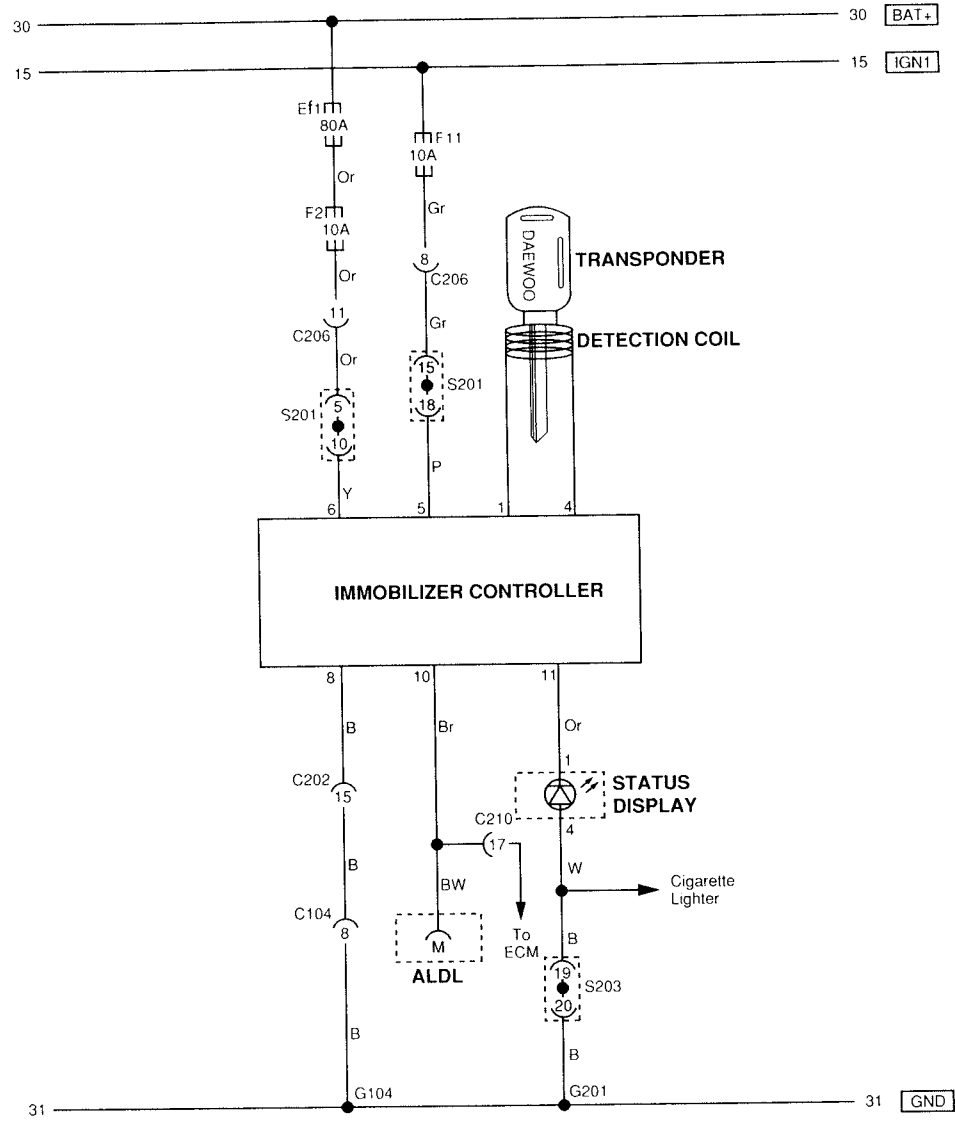


d. SPLICE PACK

S201(BLUE)



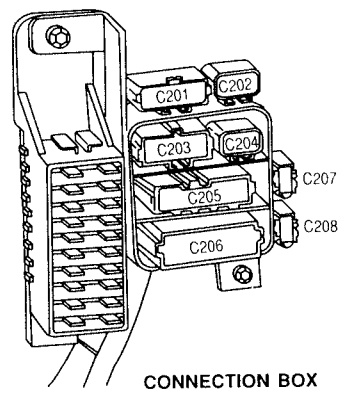
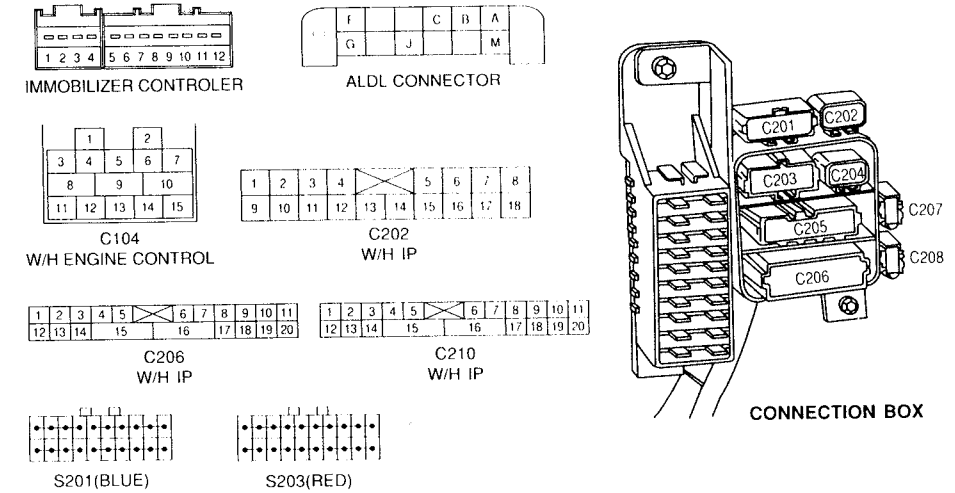
25. IMMOBILIZER SYSTEM



a. CONNECTOR INFORMATION

CONNECTOR(NO) (PIN NO. COLOR)	CONNECTING. WIRING HARNESS	CONNECTOR POSITION
C104 (15PIN. BLACK)	W/H ECM & ABS - Engine control	Behind Right Strut Mounting
C202 (18PIN. WHITE)	W/H Front - IP	Connection Box Next to Passenger Room Fuse Box
C206 (20PIN. COLORLESS)	W/H Floor - IP	Connection Box Next to Passenger Room Fuse Box
C210 (20PIN. COLORLESS)	W/H ECM & ABS - IP	Below Glove Box(Right Side Panel)
S201(20PIN. BLUE)	Splice Pack	Next to Passenger Room Relay Box
S203 (20PIN. RED)	Splice Pack	Next to Passenger Room Relay Box
G104	Ground	Intake Manifold '#4' Cylinder
G201	Ground	Below Right Front Console Box

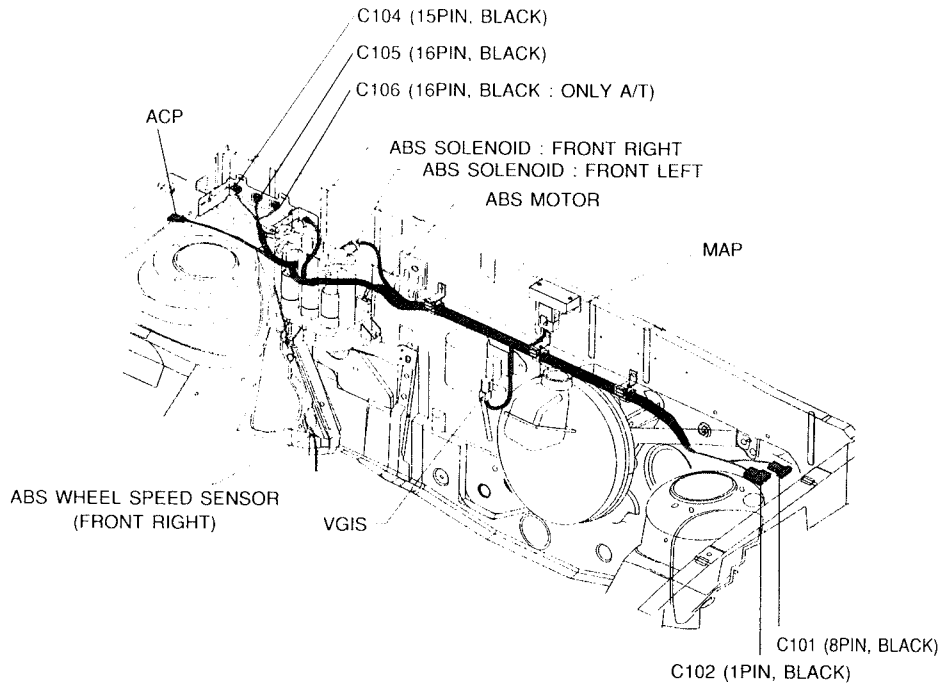
b. CONNECTOR IDENTIFICATION SYMBOL & PIN NUMBER POSITION



c. POSITION OF CONNECTORS AND GROUNDS

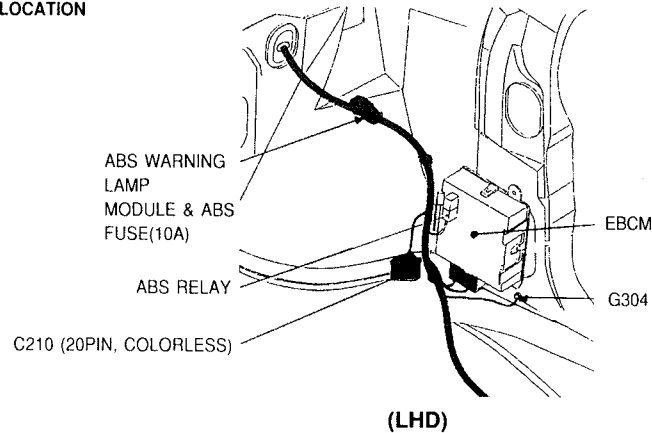
■ W/H ECM & ABS

• ENGINE ROOM INSIDE



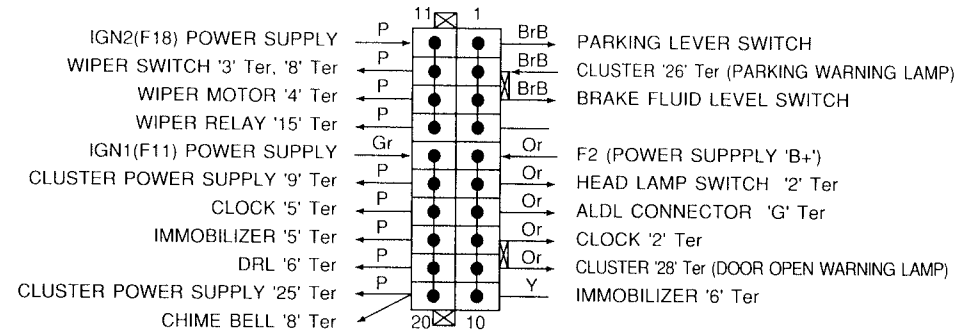
■ W/H ECM & ABS

• "A" LOCATION

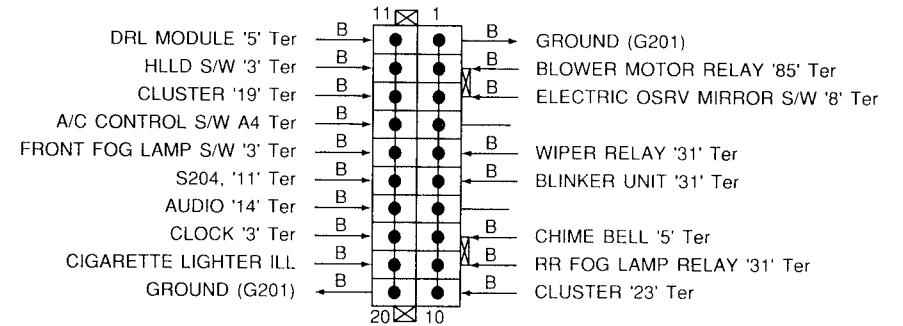


d. SPLICE PACK

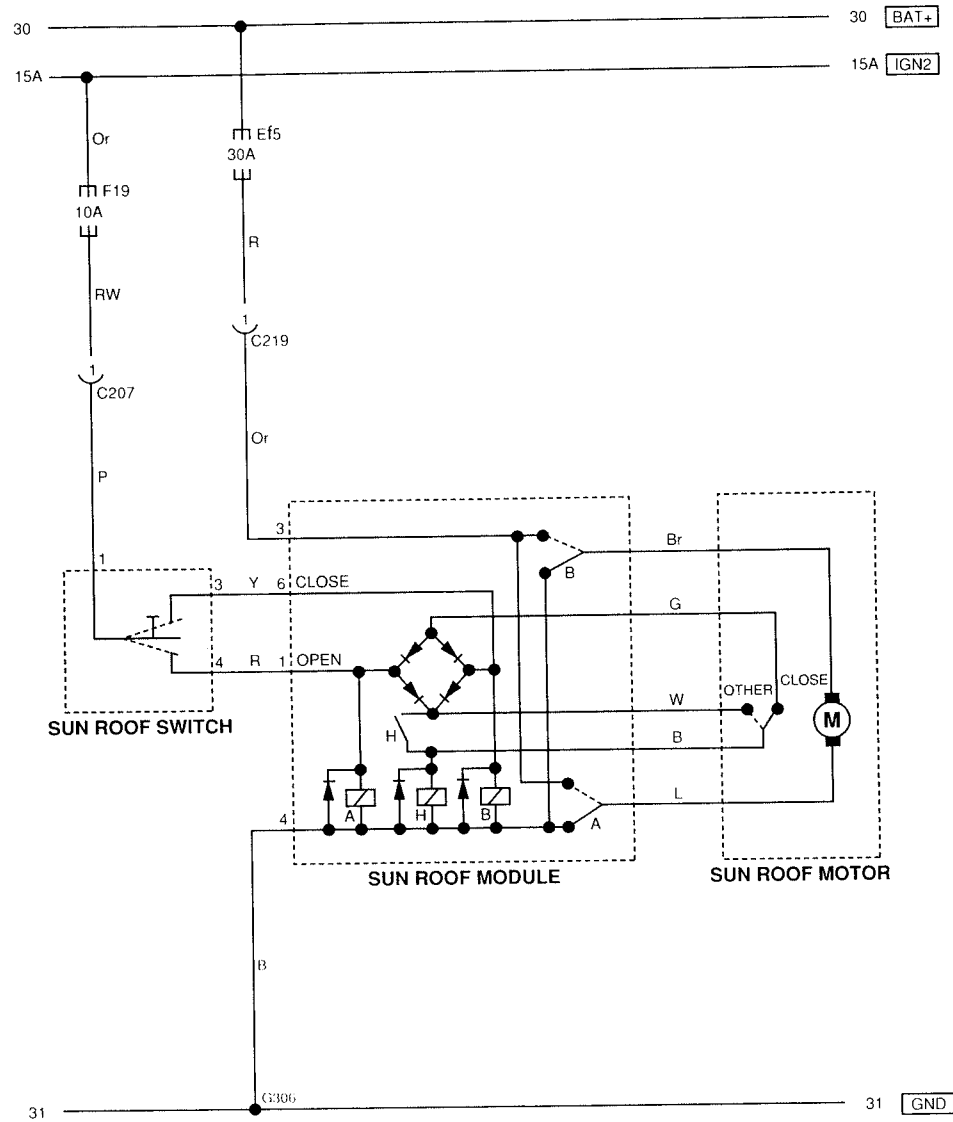
S201(BLUE)



S203(RED)



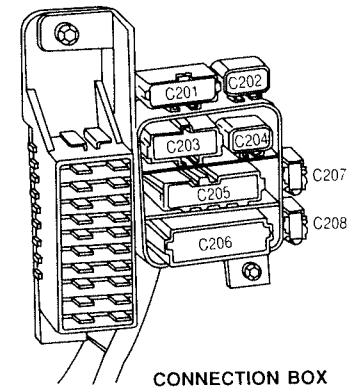
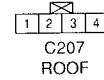
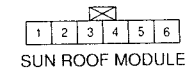
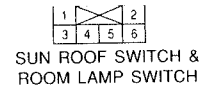
26. SUN ROOF CIRCUIT



a. CONNECTOR INFORMATION

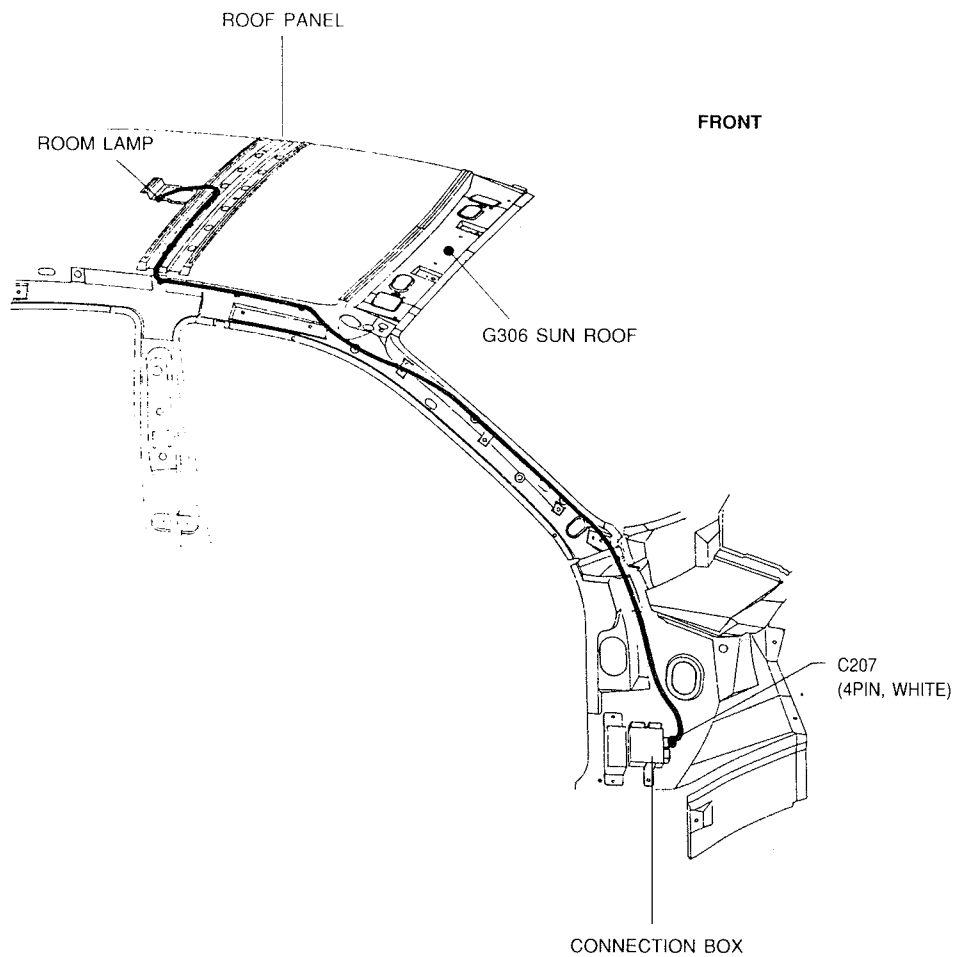
CONNECTOR(NO) (PIN NO. COLOR)	CONNECTING. WIRING HARNESS	CONNECTOR POSITION
C207 (4PIN. WHITE)	W/H Floor - Roof	Connection Box Next to Passenger Room Fuse Box
C219 (1PIN. WHITE)	W/H Floor - Roof	Near Connection Box
G306	Ground	In the Roof Panel

b. CONNECTOR IDENTIFICATION SYMBOL & PIN NUMBER POSITION



c. POSITION OF CONNECTORS AND GROUNDS

- W/H ROOF
- LEFT PILLAR INSIDE





EDITION HISTORY

No.	CODE NO.	PRINTING DATE	MODEL YEAR	REMARKS
1	LA-EWD1E-7D-600A	APRIL, 1997	MY97	
2	LA-EWD2E-7J-400B	OCTOBER, 1997	MY97	

LANOS ELECTRICAL WIRING DIAGRAM

**ISSUED BY
OVERSEAS SERVICE TECHNICAL DEP'T
DAEWOO MOTOR CO., LTD.**

426-1 CHONG CHON 2-DONG, PU PYONG-KU,
INCHON, KOREA

TELEPHONE : 82-32-510-1762~1780
FACSIMILE : 82-32-510-1797, 1790

